

HDL Coder™ Release Notes



MATLAB® & SIMULINK®

How to Contact MathWorks



Latest news: www.mathworks.com
Sales and services: www.mathworks.com/sales_and_services
User community: www.mathworks.com/matlabcentral
Technical support: www.mathworks.com/support/contact_us



Phone: 508-647-7000



The MathWorks, Inc.
1 Apple Hill Drive
Natick, MA 01760-2098

HDL Coder™ Release Notes

© COPYRIGHT 2012–2019 by The MathWorks, Inc.

The software described in this document is furnished under a license agreement. The software may be used or copied only under the terms of the license agreement. No part of this manual may be photocopied or reproduced in any form without prior written consent from The MathWorks, Inc.

FEDERAL ACQUISITION: This provision applies to all acquisitions of the Program and Documentation by, for, or through the federal government of the United States. By accepting delivery of the Program or Documentation, the government hereby agrees that this software or documentation qualifies as commercial computer software or commercial computer software documentation as such terms are used or defined in FAR 12.212, DFARS Part 227.72, and DFARS 252.227-7014. Accordingly, the terms and conditions of this Agreement and only those rights specified in this Agreement, shall pertain to and govern the use, modification, reproduction, release, performance, display, and disclosure of the Program and Documentation by the federal government (or other entity acquiring for or through the federal government) and shall supersede any conflicting contractual terms or conditions. If this License fails to meet the government's needs or is inconsistent in any respect with federal procurement law, the government agrees to return the Program and Documentation, unused, to The MathWorks, Inc.

Trademarks

MATLAB and Simulink are registered trademarks of The MathWorks, Inc. See www.mathworks.com/trademarks for a list of additional trademarks. Other product or brand names may be trademarks or registered trademarks of their respective holders.

Patents

MathWorks products are protected by one or more U.S. patents. Please see www.mathworks.com/patents for more information.

Model and Architecture Design	1-2
HDL code generation for MATLAB Function block in native floating-point mode	1-2
HDL Coder contextual tab on Simulink Toolstrip	1-2
Documentation revision for HDL code generation support for blocks	1-3
Simscape Hardware-in-the-Loop Workflow	1-5
Enhanced HDL implementation model for Simscape and Simulink plant in feedback loop	1-5
Number display of differential and algebraic variables in Simscape HDL Workflow Advisor	1-5
Separation of Get state-space parameters task for extracting and discretizing equations	1-6
Generation of implementation model with coefficients as single type and computation of results in double type	1-6
Block Enhancements	1-7
Discrete FIR Filter HDL Optimized block supports complex coefficient values	1-7
Process high-frame-rate or high-resolution video with multipixel streaming interface	1-7
OFDM Demodulator, Convolutional Encoder, and Puncturer blocks for custom wireless communication protocols	1-8
Symbol Demodulator and 1536-point FFT for LTE and NR (5G) designs	1-8
HDL-optimized CIC Decimation block and System Object	1-8
Enhancements to fixed-point Division and Reciprocal operators	1-8
FWFT mode for HDL FIFO block	1-9

HDL code generation enhancements to matrix support	1-9
Block-level option to control HDL code generated for Multiport Switch block	1-10
HDL code generation for partitioning of mask parameters in For Each Subsystem	1-10
HDL code generation for Fcn block	1-10
Code Generation and Verification	1-11
UltraRAM mapping in Xilinx devices	1-11
Speed and Area Optimizations	1-12
Enhanced optimization support for MATLAB Function block	1-12
HDL optimizations across MATLAB Function blocks and other Simulink blocks	1-12
Flattening of subsystems in presence of optimizations	1-12
IP Core Generation and Hardware Deployment	1-14
Optimization of AXI4 slave readback logic	1-14
Customization of AXI4 Slave ID width in Generic IP Core Generation workflow	1-14
Option to insert JTAG MATLAB AXI Master in reference designs (requires HDL Verifier)	1-14
Performance improvement to AXI Master interfaces in HDL DUT IP core	1-15
Updates to supported software	1-15

R2019a

Model and Architecture Design	2-2
Protected Model Code Generation: Share protected Simulink models with the option to allow HDL code generation	2-2
Enhancements to single-precision native floating-point operators support	2-2
Additional block support with double-precision native floating- point code generation	2-3

Additional Verilog constructs supported with HDL import	2-3
HDL Coder contextual tab in Simulink Toolstrip tech preview	2-4
HDL Coder Modeling Guidelines in Documentation	2-4
Simscape Hardware-in-the-Loop Workflow	2-6
Double-precision floating-point support for HDL code generation from Simscape models	2-6
Validation logic verification for functional equivalence of HDL implementation model with Simscape model	2-6
Simscape to HDL Workflow Reference Applications	2-7
Block Enhancements	2-8
Streaming Matrix Multiply and Streaming Matrix Inverse Reference Applications	2-8
Partition Offset parameter support in For Each Subsystem block	2-8
Enhancements to Assignment and Selector blocks	2-8
Enhancements to Discrete FIR Filter HDL Optimized block and frame-based Discrete FIR Filter block	2-9
LTE Reference Applications: Transmitter example and TDD support for SIB recovery	2-10
OFDM Modulator block and LTE and 5G Symbol Modulator blocks	2-10
Increased kernel size limits for Image Filter block	2-11
Code Generation and Verification	2-12
Customization of constant name in VHDL code generated for Lookup Table data	2-12
Optimized counters in generated HDL code for Stateflow temporal logic	2-13
HDL Coder Workflow: Enhanced options for model generation	2-14
HDL Code Generation: Diagnostics tab renamed to Advanced	2-14
Speed and Area Optimizations	2-16
Improvements to element-wise matrix transformation	2-16
Optimization of unconnected port for removing redundant logic in design	2-16

IP Core Generation and Hardware Deployment	2-17
DUT AXI4 slave interface connection to multiple AXI Master interfaces in reference designs	2-17
Default system with External DDR4 Memory Access reference design	2-17
Generation of HDL IP core without AXI4 slave interfaces . . .	2-17
Improved synchronization of global reset signal to IP core clock domain	2-18
Minimization of clock enable signals in IP Core Generation workflow	2-18
Updates to supported software	2-19

R2018b

Model and Architecture Design	3-2
Verilog Import: Import synthesizable Verilog code and generate Simulink model	3-2
Double-Precision Native Floating Point: Generate target- independent synthesizable RTL from double-precision floating-point models	3-2
Custom latency specification for native floating-point operators	3-2
Enhancements to supported blocks and complex data types with single-precision native floating-point	3-3
Enhancements to output delay absorption for complex multipliers with single-precision native floating-point	3-4
Simscape Hardware-in-the-Loop Workflow	3-7
Hardware Acceleration of Plant Models: Generate HDL code from Simscape Electrical switched linear models	3-7
Block Enhancements	3-8
Enhancements to matrix support for HDL code generation . . .	3-8
HDL code generation support for Probe block and blocks that detect change in input signal value	3-8

HDL code generation support for Foreach Subsystem with Minimize global resets setting	3-8
HDL Coder support for virtual bus containing nonvirtual subbus	3-9
Viterbi Decoder and Depuncturer Block: Decode bitstreams by using the Viterbi algorithm with puncturing, terminated, and truncated modes (requires LTE HDL Toolbox)	3-9
HDL code generation support for complex input signals or complex coefficients of frame-based Discrete FIR Filter and FIR Decimation blocks (requires DSP System Toolbox) . . .	3-10
Discrete FIR Filter HDL Optimized: Select transposed architecture, optimize symmetric and antisymmetric coefficients, and enable reset port (requires DSP System Toolbox)	3-10
Code Generation and Verification	3-11
Test Point Integration with FPGA Data Capture: Use FPGA data capture to specify signals to be captured during FPGA testing by using Test Points in Simulink	3-11
User-Interface Improvements to HDL Workflow Advisor and HDL Code Generation Pane in Configuration Parameters Dialog Box	3-11
Speed and Area Optimizations	3-15
Enhancements to optimization that removes redundant logic in design	3-15
Streaming operation modes of Multiply-Accumulate block . .	3-15
Different output latencies for designs with clock-rate pipelining enabled at output ports	3-15
IP Core Generation and Hardware Deployment	3-18
Xilinx Zynq UltraScale+ MPSoC Targeting: Select from predefined targets and reference designs to generate code for MPSoC devices	3-18
Multirate IP Core Generation: Target AXI4-Stream and AXI4 Master interfaces for designs with multiple sample rates .	3-18
PCIe MATLAB as AXI Master with External DDR4 Memory Access reference design for Intel Arria10 GX FPGA Development kit	3-18
Timing failure check in Build FPGA Bistream step of IP Core Generation workflow	3-20

Support for read back of AXI4 write registers in IP Core Generation workflow	3-20
Microsemi Libero SoC Targeting: Synthesize and implement generated code on Microsemi FPGAs by using HDL Workflow Advisor	3-21
Speedgoat IO Modules IO321 and IO321-5 being replaced . .	3-22
Updates to supported software	3-23

R2018a

Model and Architecture Design	4-2
HDL Model Checker integrated with Model Advisor	4-2
Updates to model checks in HDL Coder	4-2
Enhanced Radix-4 algorithm for Divide and Reciprocal blocks in Native Floating Point mode	4-3
Improved shift-and-add algorithm for exponential and hyperbolic functions in Native Floating Point mode	4-4
HDL code generation support for all rounding modes of Data Type Conversion block in Native Floating Point mode	4-4
Floating-point control for Multiport Switch and Selector blocks	4-4
Block Enhancements	4-5
Matrix Support: Generate HDL code directly from two- dimensional matrix data types and operations	4-5
Additional blocks and block modes supported for HDL code generation	4-5
Bit-Natural FFT Output: Directly access the bit-natural output from the frame-based FFT/IFFT (Requires DSP System Toolbox)	4-6
LTE OFDM demodulation and Gold sequence generation blocks (Requires LTE HDL Toolbox)	4-6
Additional pipelining of HDL-optimized Complex to Magnitude- Angle (Requires DSP System Toolbox)	4-6
5G filtered-OFDM modulation reference application (Requires LTE HDL Toolbox)	4-7
Code Generation and Verification	4-8

Line-Level Traceability: Navigate directly between Simulink blocks and corresponding lines of generated HDL code . . .	4-8
Microsemi FPGA Support: Specify Microsemi Libero SoC as Synthesis Tool and generate HDL code	4-8
Concise summary of synthesis results displayed in HDL Workflow Advisor	4-9
New Code Generation Report: View more information and navigate through code generation results more easily	4-9
Speed and Area Optimizations	4-12
Critical Path Estimation with Native Floating Point: Report critical path for designs with single-precision floating-point operations	4-12
Simplification of constant operations and other optimizations for fixed-point and floating-point arithmetic operations	4-12
Improvement to reduction of matching delays in clock-rate pipelining regions across hierarchical boundaries	4-12
MaxOversampling and MaxComputationLatency parameters being removed	4-14
IP Core Generation and Hardware Deployment	4-15
AXI4-Stream for Intel FPGA: Generate IP cores with the AXI4-Stream interface targeting Intel FPGAs	4-15
Intel SoC Reference Design: Target the Intel Arria 10 SoC Development Kit with DDR4 external memory access	4-15
Simulink test point port mapping in IP Core Generation and Simulink Real-Time FPGA I/O workflows	4-16
Audio Reference Design Example on ZYBO Board: Create custom reference design to run audio algorithm on ZYBO board	4-16
IP Core Generation of I2C Master Controller Example: Generate IP core for Stateflow-Based I2C Master Controller to configure Audio Codec chip	4-16
Ethernet programming method being removed	4-17
Updates to supported software	4-17

Model and Architecture Design	5-2
Model Advisor Checks: Check and update your Simulink model for HDL code generation compatibility	5-2
Simulink Test Points in HDL: Debug internal signals by automatically routing the signals to top-level HDL ports ...	5-2
Floating-point Support for Simulink Real-Time FPGA I/O: Generate single-precision floating point HDL for communication over the Simulink Real-Time PCIe Interface	5-3
Additional single-precision floating-point operators and block support	5-3
Improvements to native floating-point operators and algorithms	5-4
Input Range Reduction setting for Trigonometric Function blocks in native floating-point mode	5-4
Block-level latency customization for Discrete Transfer Function and Discrete Time Integrator blocks with native floating-point	5-5
Block Enhancements	5-6
Minimum Resource FFT/IFFT: Reduce resource usage with the Burst Radix 2 architecture of the HDL-Optimized FFT (requires DSP System Toolbox)	5-6
Support for scalar addressing mode with vector data input to hdl.RAM System Object	5-6
New HDL RAMs Block Library and hdl.RAM System Object based blocks	5-6
Synchronous versions of Unit Delay blocks with reset and enable ports in Discrete block library	5-7
Bilateral filter, bird's-eye-view transform, and line buffer for vision applications	5-8
HDL code generation support for Bus Element port blocks ...	5-9
One-hot and two-hot encoding schemes for enumeration types	5-9
Custom header and footer comments in generated HDL code	5-9
Code Generation and Verification	5-11

Changes to HDL Code Generation Panel in Configuration Parameters Dialog Box	5-11
Speed and Area Optimizations	5-12
Vector Input Multiply-Accumulate (MAC) Block: Map arithmetic operations efficiently to FPGA DSP slices	5-12
Hierarchical Clock Rate Pipelining: Apply clock rate pipelining across hierarchical boundaries	5-12
Support for enable-based multicycle path constraints	5-13
Clock-rate pipelining enhancements	5-13
IP Core Generation and Hardware Deployment	5-15
AXI4 Master Interface: Facilitate communication between your design and external memory by using the AXI4 Master protocol for more flexible data access	5-15
IP Core Generation Support for Xilinx System Generator: Generate an HDL IP core for DUT containing System Generator blocks	5-15
INOUT port type support for External Port interface in IP Core Generation workflow	5-16
Faster Simulink Real-Time FPGA I/O model build time with version register in generated IP core	5-16
Default system with External DDR3 Memory Access reference design	5-16
Updates to supported software	5-17
HDL Coder support packages renamed	5-17

R2017a

Model and Architecture Design	6-2
HDL Floating Point Operations Library: Easily find additional and existing single-precision floating-point blocks supported for HDL code generation	6-2
Floating-Point Latency Customization at Block-Level	6-2
Additional Block and System Object Support with Native Floating Point	6-3
Custom reference model prefix specification	6-4

GenerateWebview parameter name changed to HDLGenerateWebview	6-4
Comments in HDL code for Simulink blocks with text annotations	6-5
Block Enhancements	6-7
For Each Subsystems: Reduce block replication and improve code reuse in HDL-targeted designs	6-7
HDL Optimized Filters: Model and generate optimized hardware implementations for FIR filters (requires DSP System Toolbox)	6-7
HDL Channelizer Block and System Object: Isolate narrowband channels from a wideband signal and generate HDL with efficient multiplier usage (requires DSP System Toolbox) ..	6-8
Gigasample per Second (GSPS) Signal Processing: Increase throughput of FIR decimation algorithms by using frame input	6-8
Enhancements to MATLAB Function block support in synchronous subsystems	6-8
HDL Coder support for blocks that support bus signal treated as vector	6-9
HDL code generation support for Bus Assignment block with nonvirtual bus	6-9
Additional HDL Coder bus support	6-10
HDL code generation support for System Objects with enumeration types	6-10
Code Generation and Verification	6-11
Native Floating-Point Testbench: Generate SystemVerilog DPI, cosimulation, and FPGA-in-the-loop test benches with single- precision data types (requires HDL Verifier)	6-11
More fixed-size variable information in Fixed-Point Conversion step of HDL Coder App	6-11
Comments in generated HDL code for MATLAB System blocks	6-12
Global reset signals minimization in generated HDL Code ..	6-12
HDL code generation support for DUT subsystem with custom HDL properties	6-12
Changes in HDL Code Generation Panel in Configuration Parameters Dialog Box	6-12
Syntax Highlighting of Generated HDL Code in HTML Report	6-13

Speed and Area Optimizations	6-14
Improvements to delay balancing in multirate regions	6-14
Functionality Being Removed or Changed	6-14
IP Core Generation and Hardware Deployment	6-15
Data Type Support for AXI4 Slave: Map floating-point signals and vector signals to AXI4 slave interfaces in IP core generation	6-15
Incremental Vivado Synthesis: Enable IP caching for faster synthesis of Xilinx Vivado reference designs	6-15
IP core generation support for Altera Megafunction	6-16
Custom IP repository specification	6-16
Xilinx Virtex-2 FPGA board support being removed	6-17
Updates to supported software	6-17

R2016b

Model and Architecture Design	7-2
Native Floating Point: Generate target-independent synthesizable RTL from single-precision floating-point models	7-2
HDL Coder support for tunable parameters in data dictionary	7-3
Generic ports for DUT mask parameters	7-3
Simulink diagnostic suppressor option	7-3
Block Enhancements	7-6
Gigasample Per Second (GSPS) Signal Processing: Increase throughput of HDL code generated from Discrete FIR Filter and Integer Delay blocks by using frame input	7-6
Bit-reversed input order for HDL-optimized FFT	7-6
High-throughput polyphase filter bank for HDL example	7-6
HDL support for reset port on Discrete FIR Filter	7-7
HDL Coder support for array of buses	7-7
Synchronous behavior for Resettable Subsystem with State Control block	7-7

HDL optimized Sine and Cosine blocks	7-7
Simpler method to call System objects	7-8
Code Generation and Verification	7-9
Logic Analyzer: Visualize, measure, and analyze transitions and states over time for Simulink signals	7-9
HDL Coder support for creating and attaching configuration sets	7-9
VHDL Architecture Name available in Configuration Parameters dialog box	7-9
RAM with generic ports enhancement	7-9
Stateflow comments generated as comments in HDL	7-10
Tolerance check for floating-point libraries	7-11
Code Generation Report enhancements	7-12
Comprehensive documentation for HDL coding standard rules	7-12
More discoverable logs and reports for fixed-point conversion in HDL Coder app	7-12
Enhancements in generated model for Lookup Tables	7-13
Target and Optimizations pane in HDL Coder Configuration Parameters	7-14
Link to Code Generation Report after HDL code generation ..	7-14
Speed and Area Optimizations	7-15
Adaptive Pipelining: Specify synthesis tool and target clock frequency for automatic pipeline insertion and balancing	7-15
Clock-rate pipelining enhancements	7-15
Resource sharing enhancements	7-16
Delay balancing failures reported as errors	7-16
Optimization of Delay blocks with nonzero initial condition ..	7-17
Initialization script specification for Delay blocks without reset	7-17
IP Core Generation and Hardware Deployment	7-19
AXI4-Stream Video Interface: Generate HDL code with the AXI4-Stream Video interface by using the IP core generation workflow	7-19
Customizable FPGA floating-point target configuration	7-19
Additional block support for FPGA floating-point target library mapping	7-20

Default video system reference design	7-20
Custom reference design enhancements	7-20
IP Core Generation workflow for Xilinx and Altera FPGA devices	7-21
Additional FPGA board support for IP Core Generation workflow	7-22
Target clock frequency specification	7-22
Simulink Real-Time FPGA I/O workflow support for Xilinx Vivado	7-22
Speedgoat IO333-325K target hardware support	7-23
Updates to supported software	7-23

R2016a

Model and Architecture Design	8-2
Gigasample per Second (GSPS) Signal Processing: Increase throughput of HDL-optimized FFT and IFFT algorithms using frame input	8-2
Tunable and nontunable parameter enhancements	8-2
Reusable HDL code enhancements for subsystems with tunable mask parameters	8-3
HDL Coder support for nondirect feedthrough setting in MATLAB Function blocks	8-3
Block Enhancements	8-4
Synchronous Subsystem Toggle: Specify enable and reset behavior for cleaner HDL code by using State Control block	8-4
Region-of-interest selection and grayscale morphology	8-5
Nested bus support enhancements	8-6
Block support enhancements	8-6
Code Generation and Verification	8-8
Faster Test Bench Generation and HDL Simulation: Generate SystemVerilog DPI test benches for large data sets with HDL Verifier	8-8
Code Generation Report enhancements	8-8

Changes to Fixed-Point Conversion Code Coverage	8-9
Progress indicator for HDL test bench generation	8-10
Test bench generation with updated model stop time	8-11
Performance improvement for MATLAB to HDL test bench generation	8-11
Coding standard check for length of control flow statements in a process block	8-11
Warnings for non-ASCII characters in generated HDL code	8-11
Japanese translation for resource report	8-12
Speed and Area Optimizations	8-13
Resource Sharing Enhancements: Share multipliers and gain operations that have different data types	8-13
Biquad Filter block participates in subsystem HDL optimizations	8-13
More functions for Multiply-Add block to map to DSP	8-13
Generation of Multiply-Add blocks for complex multiply operations	8-14
RAM mapping for pipeline and floating-point delays	8-14
Initialization script generated for Delay blocks without reset for ModelSim simulation	8-14
IP Core Generation and Hardware Deployment	8-15
Hard Floating-Point IP Targeting: Generate HDL to map to Altera Arria 10 floating-point units at user-specified target frequency	8-15
End-to-end scripting for Simulink Real-Time FPGA I/O workflow	8-15
SoC device programmed by using Ethernet connection	8-16
Custom programming method for IP Core Generation workflow	8-16
Interface connection name and type for custom reference designs	8-16
Updates to supported software	8-16
Automatic generation of FPGA top-level wrapper based on workflow	8-16

Bug Fixes

R2015b

Model and Architecture Design	10-2
Model Arguments: Parameterize instances of model reference blocks	10-2
Integration with Xilinx Vivado System Generator for DSP blocks	10-2
struct input and output for top-level MATLAB design function	10-2
Tunable parameters in MATLAB Function block	10-3
Output initialization requirement for Stateflow Moore Charts	10-3
Enforce ASCII character requirement for model property values	10-3
Block Enhancements	10-5
Expanded Bus Support: Generate HDL for enabled or triggered subsystems with bus inputs and for black boxes with bus I/O	10-5
Library Browser view shows blocks supported for HDL code generation	10-5
Trigonometric Function block with sin or cos function can have vector inputs	10-6
Discrete FIR Filter supports HDL optimizations	10-6
HDL-optimized FIR Rate Conversion block and System object	10-6
Code Generation and Verification	10-7
HDL Coder Configuration Parameters in list view	10-7
Support for configuration parameter Default parameter behavior	10-7

Test bench performance improvements with file I/O	10-7
Image processing examples	10-8
Speed and Area Optimizations	10-9
Quality of Results Improvement: Stream and share resources more broadly and efficiently	10-9
Multiply-Add block	10-9
Hierarchy flattening for masked subsystems and user library blocks	10-10
Loop optimization improvement	10-10
Complex Gain speed optimization	10-10
Redesigned serializer for streaming and resource sharing .	10-10
Tapped Delay optimization	10-10
IP Core Generation and Hardware Deployment	10-11
Tunable Parameters: Map to AXI4 interfaces to enable hardware run-time tuning by the embedded software on the ARM processor	10-11
End-to-end scripting from design through IP core generation, FPGA Turnkey, and generic ASIC/FPGA workflows	10-11
Synthesis objective for synthesis tool target optimization . .	10-11
AXI4-Stream vector interface	10-12
Connect IP core with other IP blocks in custom reference designs	10-12
Kintex UltraScale and Virtex UltraScale device family support in generic ASIC/FPGA and IP core generation workflows . .	10-12

R2015a

Model and Architecture Design	11-2
Localized control using pragmas for pipelining, loop streaming, and loop unrolling in MATLAB code	11-2
Model templates for HDL code generation	11-3
Tunable parameter data type and model reference support enhancements	11-5
Include custom or legacy code using DocBlock	11-5

Single library for VHDL code generated from model references	11-5
Timing controller architecture and postfix options in Configuration Parameters dialog box and HDL Workflow Advisor	11-6
Functionality Being Removed or Changed	11-6
Block Enhancements	11-8
Enumeration support at DUT ports	11-8
Map to multiple RAM banks	11-8
Code generation for bus output from Bus Selector and Constant blocks	11-8
Initial condition for Deserializer1D	11-8
Block support enhancements	11-8
Code generation for predefined System objects in MATLAB System block	11-9
Specify filter coefficients using a System object	11-9
Libraries for HDL-supported DSP System Toolbox and Communications Toolbox blocks	11-9
Support for image processing, video, and computer vision designs in new Vision HDL Toolbox product	11-10
Support for ‘inherit via internal rule’ data type setting on FIR Decimation and Interpolation blocks	11-10
Code Generation and Verification	11-11
Coding standard check for X and Z constants	11-11
Coding style improvements	11-11
Example HDL implementation of LTE OFDM modulator and detector with LTE Toolbox	11-11
Speed and Area Optimizations	11-12
Critical path estimation without running synthesis	11-12
Clock-rate pipelining enhancements	11-12
Partitioning for large multipliers to improve clock frequency and DSP reuse on the FPGA	11-13
Highlighting for blocks in the model that prevent retiming	11-13
Resource sharing for adders and more control over shareable resources	11-13

Speed and area optimizations for designs that use Unit Delay Enabled, Unit Delay Resetable, and Unit Delay Enabled Resetable	11-13
Resource sharing for multipliers and adders with input data types in different order	11-14
Vector streaming for MATLAB code	11-14
IP Core Generation and Hardware Deployment	11-16
Mac OS X platform support	11-16
AXI4-Stream interface generation for Xilinx Zynq IP core . .	11-16
Custom reference design and custom SoC board support . .	11-16
Automatic iterative optimization for IP core generation and FPGA Turnkey workflows	11-16
Speedgoat IO331-6 digital I/O interface target	11-17
IP core settings saved with model	11-17
Updates to supported software	11-17

R2014b

Model and Architecture Design	12-2
Custom or legacy HDL code integration in the MATLAB to HDL workflow	12-2
Model reference as DUT for code generation	12-2
Tunable parameter support for Gain and Constant blocks . . .	12-2
Code generation for Stateflow active state output	12-2
Clock enable minimization for code generated from MATLAB designs	12-2
HDL Block Properties dialog box shows only valid architectures	12-3
2-D matrix types in HDL generated for MATLAB matrices . . .	12-3
Block Enhancements	12-4
Code generation for HDL optimized FFT/IFFT System object and HDL optimized Complex to Magnitude-Angle System object and block	12-4
Added features to HDL optimized FFT/IFFT blocks, including reduced latency	12-4

HDL Reciprocal block with Newton-Raphson Implementation	12-4
.....	
Serializer1D and Deserializer1D blocks	12-5
Additional blocks supported for code generation	12-5
Composite user-defined System object support	12-6
System object output and update method support	12-6
hdlram renamed to hdl.RAM	12-6
Functionality Being Removed or Changed	12-6
Code Generation and Verification	12-7
Coding standards customization	12-7
HDL Designer script generation	12-7
Traceable names for RAM blocks and port signals	12-7
for-generate statements in generated VHDL code	12-8
Validation model generation regardless of delay balancing results	12-8
Speed and Area Optimizations	12-9
Clock-rate pipelining to optimize timing in multi-cycle paths	12-9
.....	
RAM mapping for user-defined System object private properties	12-9
.....	
Highlighting for feedback loops that inhibit optimizations	12-9
Optimizations available for conditional-execution subsystems	12-10
.....	
Variable pipelining in conditional MATLAB code	12-10
Optimizations available with UseMatrixTypesInHDL for MATLAB Function block	12-10
IP Core Generation and Hardware Deployment	12-11
Support for Xilinx Vivado	12-11
IP core generation for Altera SoC platform	12-11
Custom HDL code for IP core generation from MATLAB	12-11
Target platform interface mapping information saved with model	12-11
Documentation installation with hardware support package	12-12
.....	

Model and Architecture Design	13-2
HDL block library in Simulink	13-2
Persistent keyword not needed in HDL code generation	13-3
Negative edge clocking	13-3
Bidirectional port specification	13-3
Port names in generated code match signal names	13-3
ModelReference default architecture for Model block	13-4
Reset for timing controller	13-4
Reset port optimization	13-4
Functionality Being Removed or Changed	13-5
Block Enhancements	13-7
Code generation for enumeration data types	13-7
Code generation for FFT HDL Optimized and IFFT HDL Optimized blocks	13-7
Bus support improvements	13-7
Variant Subsystem support for configurable models	13-7
Trigger signal can clock triggered subsystems	13-8
2-D matrix types in code generated for MATLAB Function block	13-8
64-bit data support	13-8
HDL code generation from MATLAB System block	13-8
System object methods in conditional code	13-8
Dual Rate Dual Port RAM block	13-9
Additional blocks and block implementations supported for code generation	13-9
Code Generation and Verification	13-11
Errors instead of warnings for blocks not supported for code generation	13-11
Ascent Lint script generation	13-11
Incremental code generation and synthesis	13-11
Automatic C compiler setup	13-12
Speed and Area Optimizations	13-13
RAM mapping scheduler improvements	13-13

Performance-prioritized retiming	13-13
Retiming without moving user-created design delays	13-13
Resource sharing factor can be greater than number of shareable resources	13-13
Reduced area with multirate delay balancing	13-14
Serializer-deserializer and multiplexer-demultiplexer optimization	13-14
IP Core Generation and Hardware Deployment	13-15
ZC706 target for IP core generation and integration into Xilinx EDK project	13-15
Automatic iterative clock frequency optimization	13-15
Synthesis attributes for multipliers	13-15
Custom HDL code for IP core generation	13-15
Synthesis and simulation tool addition and detection after opening HDL Workflow Advisor	13-16
xPC Target is Simulink Real-Time	13-16
Updates to supported software	13-16

R2013b

Model and Architecture Design	14-2
Model reference support and incremental code generation	14-2
Code generation for subsystems containing Altera DSP Builder blocks	14-2
Module or entity generation for local functions in MATLAB Function block	14-2
Reset port optimization	14-3
Load constants from MAT-files	14-3
Block Enhancements	14-4
Code generation for user-defined System objects	14-4
Bus signal inputs and outputs for MATLAB Function block and Stateflow charts	14-4
HDL Counter has specifiable start value	14-4
Maximum 32-bit address for RAM	14-4

Removing HDL Support for NCO Block	14-5
Code Generation and Verification	14-6
Coding style improvements according to industry standard guidelines	14-6
Coding standard report target language enhancement and text file format	14-6
UI for SpyGlass, Leda, and custom lint tool script generation	14-6
File I/O to read test bench data in VHDL and Verilog	14-7
Floating point for FIL and HDL cosimulation test bench generation	14-7
Fixed-point file name change	14-7
Speed and Area Optimizations	14-8
RAM inference in conditional MATLAB code	14-8
Coding style for improved ROM mapping	14-8
Pipeline registers between adder or multiplier and rounding or saturation logic	14-8
Distributed pipelining improvements with loop unrolling in MATLAB Function block	14-8
IP Core Generation and Hardware Deployment	14-9
IP core integration into Xilinx EDK project for ZC702 and ZedBoard	14-9
FPGA Turnkey and IP Core generation in MATLAB to HDL workflow	14-9
Synthesis tool addition and detection after MATLAB-to-HDL project creation	14-10
Synthesis script generation for Microsemi Libero and other synthesis tools	14-10
Floating-point library mapping for mixed floating-point and fixed-point designs	14-10
xPC Target FPGA I/O workflow separate from FPGA Turnkey workflow	14-10
AXM-A75 AD/DA module for Speedgoat IO331 FPGA board	14-11
Speedgoat IO321 and IO321-5 target hardware support ...	14-11
Support package for Xilinx Zynq-7000 platform	14-11
Support package for Altera FPGA boards	14-11
Support package for Xilinx FPGA boards	14-12

Additional FPGA board support for FIL verification, including Xilinx KC705 and Altera DSP Development Kit, Stratix V edition	14-13
--	--------------

R2013a

Model and Architecture Design	15-2
Code generation for System objects in a MATLAB Function block	15-2
Output folder structure includes model name	15-2
Prefix for module or entity name	15-2
Functionality being removed	15-3
Block Enhancements	15-4
Single rate Newton-Raphson architecture for Sqrt, Reciprocal Sqrt	15-4
Additional System objects supported for code generation ...	15-4
Additional blocks supported for code generation	15-4
Code Generation and Verification	15-6
Static range analysis for floating-point to fixed-point conversion	15-6
Cosimulation and FPGA-in-the-Loop for MATLAB HDL code generation	15-6
HDL coding standard report and lint tool script generation	15-6
File I/O to read test bench data in Verilog	15-7
Speed and Area Optimizations	15-8
User-specified pipeline insertion for MATLAB variables	15-8
Resource sharing and streaming without over clocking	15-8
Resource sharing for the MATLAB Function block	15-8
Finer control for delay balancing	15-9
Complex multiplication optimizations in the Product block	15-9

IP Core Generation and Hardware Deployment	15-10
Generation of custom IP core with AXI4 interface	15-10
Coprocessor synchronization in FPGA Turnkey and IP Core Generation workflows	15-10
Speedgoat IO331 Spartan-6 FPGA board for FPGA Turnkey workflow	15-10

R2012b

Input parameter constants and structures in floating-point to fixed-point conversion	16-2
RAM, biquad filter, and demodulator System objects	16-2
HDL RAM System object	16-2
HDL System object support for biquad filters	16-2
HDL support with demodulator System objects	16-2
Generation of MATLAB Function block in the MATLAB to HDL workflow	16-3
HDL code generation for Reed Solomon encoder and decoder, CRC detector, and multichannel Discrete FIR filter	16-3
HDL code generation	16-3
Multichannel Discrete FIR filters	16-3
Targeting of custom FPGA boards	16-4
Optimizations for MATLAB Function blocks and black boxes	16-4
Generate Xilinx System Generator Black Box block from MATLAB	16-4
Save and restore HDL-related model parameters	16-4
Command-line interface for MATLAB-to-HDL code generation	16-4

User-specifiable clock enable toggle rate in test bench	16-5
RAM mapping for dsp.Delay System object	16-5
Code generation for Repeat block with multiple clocks	16-5
Automatic verification with cosimulation using HDL Coder	16-5
ML605 Board Added To Turnkey Workflow	16-5

R2012a

Product Name Change and Extended Capability	17-2
Code Generation from MATLAB	17-2
Code Generation from Any Level of Subsystem Hierarchy	17-3
Automated Subsystem Hierarchy Flattening	17-3
Support for Discrete Transfer Fcn Block	17-3
User Option to Constrain Registers on Output Ports	17-3
Distributed Pipelining for Sum of Elements, Product of Elements, and MinMax Blocks	17-4
MATLAB Function Block Enhancements	17-4
Multiple Accesses to RAMs Mapped from Persistent Variables	17-4
Streaming for MATLAB Loops and Vector Operations	17-4
Loop Unrolling for MATLAB Loops and Vector Operations	17-4
Automated Code Generation from Xilinx System Generator for DSP Blocks	17-4
Altera Quartus II 11.0 Support in HDL Workflow Advisor	17-5

Automated Mapping to Xilinx and Altera Floating Point Libraries	17-5
Vector Data Type for PCI Interface Data Transfers Between xPC Target and FPGA	17-5
New Global Property to Select RAM Architecture	17-5
Turnkey Workflow for Altera Boards	17-6
HDL Support For Bus Creator and Bus Selector Blocks	17-6
HDL Support For HDL CRC Generator Block	17-6
HDL Support for Programmable Filter Coefficients	17-6
Notes	17-7
Synchronous Multiclock Code Generation for CIC Decimators and Interpolators	17-7
Filter Block Resource Report Participation	17-8
HDL Block Properties Interface Allows Choice of Filter Architecture	17-9
HDL Support for FIR Filters With Serial Architectures and Complex Inputs	17-11
HDL Support for External Reset Added for Proportional-Integral-Derivative (PID) and Discrete Time Integrator (DTI) Blocks	17-11

R2019b

Version: 3.15

New Features

Bug Fixes

Model and Architecture Design

HDL code generation for MATLAB Function block in native floating-point mode

In R2019b, HDL Coder supports code generation for the MATLAB Function block by using floating-point data types in **Native Floating Point** mode. You can use a wider subset of MATLAB® functions to develop complex floating-point algorithms.

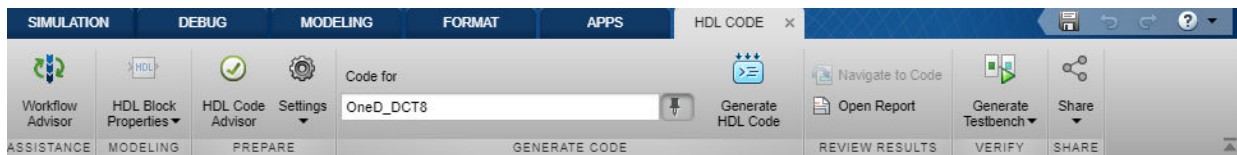
By default, floating-point support in HDL Coder uses a new MATLAB datapath architecture of the MATLAB Function block. This architecture treats the MATLAB Function block like a Subsystem block. The generated HDL code with the MATLAB datapath architecture is more readable.

To learn more, see “Generate Target-Independent HDL Code with Native Floating-Point”.

HDL Coder contextual tab on Simulink Toolstrip

In R2019b, the Simulink® Toolstrip replaces the Simulink menu bar. For details, see “Simulink Toolstrip: Access and discover Simulink capabilities when you need them” (Simulink) in the Simulink release notes.

Several HDL Coder features and buttons are located in contextual tabs. The Simulink Toolstrip contextual tabs appear only when you need to access them. To access the **HDL Code** tab, open the **HDL Coder** app from the **Apps** tab on the Simulink Toolstrip.



Access options in the **HDL Code** tab, such as:

- To display the HDL Block Properties for a block or a Subsystem in your model, select that block or Subsystem. The options change contextually depending on what you select in the model.
- To access the HDL Model Checker, click the **HDL Code Advisor** button.

- To change report settings, in the **Settings** tab, select **Report Options**. To access the reports, click the **Open Report** button. The Code Generation Report opens if this report exists. Otherwise, the HDL Check Report opens.

See “Set HDL Code Generation Options”.

Documentation revision for HDL code generation support for blocks

Previously, the HDL Coder documentation contained a page for each supported block that described the options and limitations for HDL code generation. This information is now in the **Extended Capabilities > HDL Code Generation** section of the block page in the product that owns the block. For instance, see the HDL Code Generation section of the Divide block page in the Simulink documentation. This change consolidates information about simulation and HDL code generation to a single page for each block and avoids duplicate search results.

For a list of which blocks are supported for HDL code generation, click **Blocks** in the blue bar at the top of the Help window, and then select the **HDL code generation** check box at the bottom of the left column. The blocks are listed in their respective products. Use the table of contents in the left column to navigate between products and categories.

Documentation
All
Examples
Functions
Blocks
Apps
Search Help

≡ CONTENTS Close

« Documentation Home

« Blocks

Category

DSP System Toolbox

- Signal Generation, Manipulation, and Analysis 21
- Filter Implementation 10
- Transforms and Spectral Analysis 3
- Statistics and Linear Algebra 3
- Fixed-Point Design 8

HDL Coder

HDL Verifier

LTE HDL Toolbox

Mixed-Signal Blockset

SerDes Toolbox

SimEvents

Simulink Test

Extended Capability

- C/C++ Code Generation 34
- HDL Code Generation 36
- PLC Code Generation 4
- Fixed-Point Conversion 28

DSP System Toolbox — Blocks

[By Category](#) | [Alphabetical List](#)

i Results are filtered

Signal Generation, Manipulation, and Analysis

Signal Operations

Downsample	Resample input at lower rate by deleting samples
Repeat	Resample input at higher rate by repeating values
Sample and Hold	Sample and hold input signal
Upsample	Resample input at higher rate by inserting zeros
DC Blocker	Block DC component

Signal Generation

Constant	Generate constant value
NCO	Generate real or complex sinusoidal signals
NCO HDL Optimized	Generate real or complex sinusoidal signals—optimized for HDL code generation
Sine Wave	Generate continuous or discrete sine wave

Scopes and Data Logging

Spectrum Analyzer	Display frequency spectrum
Time Scope	Display and analyze signals generated during simulation and log signal data to MATLAB
Matrix Viewer	Display matrices as color images
Waterfall	View vectors of data over time
To Workspace	Write data to MATLAB workspace

Simscape Hardware-in-the-Loop Workflow

Enhanced HDL implementation model for Simscape and Simulink plant in feedback loop

Previously, when you ran the Simscape HDL Workflow Advisor to generate an HDL implementation model, the HDL Algorithm used Rate Transition blocks that ran the state update at a faster rate and the output calculation at a slower rate. When you used a plant model that contained Simscape™ and Simulink components inside a feedback loop, to balance the delays inside the loop, you had to use the Zero latency strategy in Native Floating Point mode.

Starting in R2019b, the HDL Algorithm runs at the single, fastest rate. The Rate Transition blocks are now placed outside the feedback loop. With this implementation, you can use the Min or Max latency strategy in Native Floating Point mode. Using these strategies improves the area and timing of the HDL implementation model on the target FPGA device.

For an example, see “Troubleshoot Conversion of Simscape™ Permanent Magnet Synchronous Motor to HDL-Compatible Simulink Model”.

Number display of differential and algebraic variables in Simscape HDL Workflow Advisor

When you run the Simscape HDL Workflow Advisor, if the **Check switched linear** task passes, the task now reports the number of differential and algebraic variables. The task also provides links to the blocks in your Simscape model that are related to these variables. Differential variables consume a quadratic amount of multiplier resources on the target FPGA device. Algebraic variables consume a linear amount of multiplier resources. You can use this information to determine how many multiplier resources your Simscape design consumes on the FPGA device and whether your design is ready for conversion to state-space representation.

See “Simscape HDL Workflow Advisor Tips and Guidelines”.

Separation of Get state-space parameters task for extracting and discretizing equations

The **Get state-space parameters** task in the Simscape HDL Workflow Advisor is now split into two tasks: **Extract Equations** and **Discretize Equations**. The **Extract Equations** task simulates the model to extract the differential algebraic equations. The **Discretize Equations** task discretizes the differential algebraic equations to state-space parameters.

Previously, if you changed only the **Sample time** of your model and left the model unchanged, to obtain the modified state-space parameters, you reran the **Get state-space parameters** task. Running this task could take a long time because it simulated the model to generate the differential algebraic equations, which were later discretized to state-space parameters. In R2019b, if you change the **Sample time**, you have to run only the **Discretize Equations** task. This task runs much faster because it only has to discretize the differential algebraic equations to state-space parameters.

For more information, see “Simscape HDL Workflow Advisor Tasks”.

Generation of implementation model with coefficients as single type and computation of results in double type

In R2019b, the **Generate implementation model** task has an enhanced layout. In the UI, you see that the **Floating-point precision** setting has an additional option, **Single coefficient, double computation**. By using this option, you can save memory usage on the target FPGA device by storing the coefficients A, B, C, and D as single data types. The implementation model accuracy is also improved compared to using **Single** as the **Floating-point precision** because the matrix computations are performed in double precision.

To learn more, see “Simscape HDL Workflow Advisor Tips and Guidelines”.

Block Enhancements

Discrete FIR Filter HDL Optimized block supports complex coefficient values

The Discrete FIR Filter HDL Optimized block from the DSP System Toolbox™ now supports complex-valued coefficients. If both coefficients and input data are complex, the block implements each filter tap with three multipliers. If either data or coefficients are complex but not both, the block uses two multipliers for each filter tap. You can use complex coefficients with all architectures and with programmable coefficients.

This feature is also available with the `dsp.HDLFIRFilter` System object™.

Process high-frame-rate or high-resolution video with multipixel streaming interface

To support high-frame-rate or high-resolution video processing, such as 4k UHD, the Vision HDL Toolbox™ streaming video interface can now process 4 or 8 pixels on each cycle.

When you configure the Frame To Pixels and Pixels To Frame blocks, set the **Number of pixels** parameter to 4 or 8. With this setting, the output of the Frame To Pixels block is a vector of 4 or 8 pixel values on each time step.

The Image Filter, Edge Detector, and Median Filter blocks now support input and output vectors of 4 or 8 pixels. The **ctrl** ports remain scalar, and the control signals in the `pixelcontrol` bus apply to all pixels in the vector. The Line Buffer block can accept an input vector of 4 or 8 pixels and returns a *KernelHeight-by-NumberOfPixels* matrix.

Video formats for multipixel streams must have horizontal dimensions divisible by the **Number of pixels**. These horizontal dimensions are: **Active pixels per line**, **Total pixels per line**, **Front porch**, and **Back porch**. The standard video protocols 480p, 720p, 1080p, and 4k UHD support both 4 and 8 pixels at a time.

This feature is not supported for use with System objects.

OFDM Demodulator, Convolutional Encoder, and Puncturer blocks for custom wireless communication protocols

LTE HDL Toolbox™ provides these blocks, which are configurable to support most wireless communication protocols:

- The OFDM Demodulator block supports configurable cyclic prefix and FFT length.
- The Convolutional Encoder and Puncturer blocks support continuous, terminated, and truncated modes.

Symbol Demodulator and 1536-point FFT for LTE and NR (5G) designs

LTE HDL Toolbox provides these blocks:

- The FFT 1536 block implements a 1536-point FFT by using a single 512-point FFT.
- The LTE Symbol Demodulator and NR Symbol Demodulator blocks demodulate complex phase-shift keying (PSK) or quadrature amplitude modulation (QAM) symbols using either hard or soft decision decoding.

HDL-optimized CIC Decimation block and System Object

If you have DSP System Toolbox installed, you can use the CIC Decimation HDL Optimized block to downsample signals by using a CIC filter. The block provides an efficient hardware implementation and uses hardware-friendly control signals. The block supports HDL code generation with HDL Coder.

This algorithm is also available as a System object, `dsp.HDLCICDecimation`.

Enhancements to fixed-point Division and Reciprocal operators

In R2019b, when you use the Divide and Reciprocal blocks with fixed-point data types, you can specify a new `ShiftAdd` architecture. This architecture uses a nonrestoring division algorithm that performs multiple shift and add operations to compute the quotient. This architecture provides improved accuracy compared to the Newton-Raphson approximation method. You also achieve a higher maximum clock frequency on the target FPGA device.

For example, this table illustrates the performance of the division operation by using the ShiftAdd architecture on a Xilinx® Virtex®-7 FPGA.

Division Architecture	Latency	Fmax (MHz)	LUTs	Registers
Linear	0	29.69	451	-
ShiftAdd	20	534.19	444	636

See “UsePipelines”.

FWFT mode for HDL FIFO block

In R2019b, the code generator supports a First Word Fall Through (FWFT) mode for the HDL FIFO block. In this mode, the first word falls through to the output before you provide the read enable signal. The FWFT mode is especially useful when you apply the back-pressure with AXI4-Stream interfaces.

To specify this mode, in the Block Parameters dialog box of the HDL FIFO block, set **Mode** to FWFT. The FWFT mode provides you with the data on the same clock cycle that you request. The **Classic** mode provides you with the data on the clock cycle after you request.

HDL code generation enhancements to matrix support

In R2019b, HDL Coder extends the matrix data type support to these blocks:

- Additional blocks in the **Math Operations** library including Increment Stored Integer, Increment Real World, Decrement Stored Integer, Decrement Real World, Sum of Elements, and Product of Elements
- Blocks in the **HDL Operations** library including Multiply-Add and Multiply-Accumulate
- Discrete-Time Integrator

See “Signal and Data Type Support”.

Block-level option to control HDL code generated for Multiport Switch block

Previously, when you generated HDL code for the Multiport Switch block, HDL Coder used if-else statements in the Verilog[®] code and when-else statements in the VHDL[®] code.

Starting in R2019b, you can specify whether you want to generate HDL code with case statements or if-else statements when you use a Multiport Switch block. By default, HDL Coder generates if-else statements. To specify generation of case statements in the Verilog code or case-when statements in the VHDL code, in the HDL Block Properties dialog box for the Multiport Switch block, on the **General** tab, set “CodingStyle” to case.

HDL code generation for partitioning of mask parameters in For Each Subsystem

HDL Coder now supports code generation for Simulink models that partition the tunable mask parameters inside a For Each Subsystem. Inside the For Each Subsystem block, you can use the tunable parameter as the **Constant value** in Constant blocks and as the **Gain** parameter in Gain blocks.

See For Each and “Generate HDL Code for Blocks Inside For Each Subsystem”.

HDL code generation for Fcn block

In R2019b, you can generate HDL code for the Fcn block in **Native Floating Point** mode. The block accepts **single** and **double** inputs and outputs a scalar value corresponding to the mathematical expression that you specify for the block.

When you generate code, HDL Coder creates a Subsystem block with native floating-point operators that compute the mathematical expression you specify on the block.

Code Generation and Verification

UltraRAM mapping in Xilinx devices

In R2019b, when you deploy your design containing RAM blocks to a Xilinx target device that contains UltraRAM memory, you can specify the attribute to map the RAM blocks to UltraRAM. In the **HDL RAMs** library, except for Dual Port RAM and Dual Rate Dual Port RAM blocks, you can map all other RAM blocks to UltraRAM.

See “RAMDirective”.

Speed and Area Optimizations

Enhanced optimization support for MATLAB Function block

In R2019b, HDL Coder supports various optimizations such as resource sharing and streaming inside the MATLAB Function block with floating-point and fixed-point types. Previously, the MATLAB Function blocks acted as a barrier to the optimizations. The optimizations that you specified applied only to blocks that surrounded the MATLAB Function block.

To optimize the MATLAB Function blocks in your design, use the new MATLAB `datapath` architecture of the MATLAB Function block. Floating-point support in HDL Coder uses this architecture by default.

See “HDL Optimizations Across MATLAB Function Block Boundary Using MATLAB Datapath Architecture”.

HDL optimizations across MATLAB Function blocks and other Simulink blocks

In R2019b, HDL Coder supports various optimizations such as resource sharing and streaming for the MATLAB Function block with floating-point and fixed-point types. You can use these optimizations across the MATLAB Function block with other Simulink blocks and MATLAB Function blocks in your model.

To use the optimizations, specify the new MATLAB `datapath` architecture of the MATLAB Function block. Floating point support in HDL Coder uses this architecture by default. HDL Coder treats the MATLAB `datapath` architecture of the block as a regular Subsystem block. The code generator converts the MATLAB algorithm to a Simulink block diagram.

For more information, see “HDL Optimizations Across MATLAB Function Block Boundary Using MATLAB Datapath Architecture”.

Flattening of subsystems in presence of optimizations

Previously, when you used the hierarchy flattening optimization, you disabled optimizations such as resource sharing and streaming. In R2019b, you can use the hierarchy flattening optimization seamlessly in the presence of these optimizations.

Flattening the subsystem hierarchy significantly reduces the number of HDL source files generated from your Simulink model.

To flatten hierarchy, set **FlattenHierarchy** to On for the top-level DUT Subsystem.

See also “Hierarchy Flattening”.

IP Core Generation and Hardware Deployment

Optimization of AXI4 slave readback logic

When your model contains many output registers and you want to read back data from multiple AXI4 slave registers, the read back logic becomes a long mux chain that can affect the target frequency. If you select the **Enable readback on AXI4 slave write registers** setting in the **Generate RTL Code and IP Core** task, the mux chain logic can further increase in length.

In R2019b, you can optimize the readback logic and achieve the target frequency that you want when you run the IP Core Generation workflow by using the **AXI4 slave port to pipeline register ratio** setting in the **Generate RTL Code and IP Core** task.

See “Optimize AXI4 Slave Read Back Logic”.

Customization of AXI4 Slave ID width in Generic IP Core Generation workflow

Previously, when you defined multiple AXI Master interfaces to access the HDL DUT AXI4 slave interface, you specified an ID width value in the reference design definition file depending on the number of AXI Master interfaces that you wanted to connect to.

In R2019b, when you run the Generic IP Core Generation workflow for your Simulink model, you can specify the AXI4 Slave ID Width from the HDL Workflow Advisor UI by using the **AXI4 Slave ID Width** setting in the **Generate RTL Code and IP Core** task.

See “Generate Board-Independent HDL IP Core from Simulink Model”.

Option to insert JTAG MATLAB AXI Master in reference designs (requires HDL Verifier)

Starting in R2019b, you can specify insertion of the JTAG MATLAB AXI Master IP in the reference design that you are targeting. By using the JTAG MATLAB AXI Master IP, you can easily access the AXI registers in the generated DUT IP core on an FPGA board from MATLAB through the JTAG connection. See also “Set Up for MATLAB AXI Master” (HDL Verifier).

Specify automatic insertion of the JTAG as MATLAB AXI Master IP by setting **Insert JTAG MATLAB as AXI Master (HDL Verifier Required)** to on in the **Set Target Reference Design** task of the IP Core Generation workflow.

If you are targeting your own custom reference design, in the `plugin_rd` file, you can specify the default behavior of insertion of the JTAG as AXI Master IP by using the `AddJTAGMATLABasAXIMasterParameter` and `JTAGMATLABasAXIMasterDefaultValue` properties of the `hdlcoder.ReferenceDesign` class. For more information and requirements for JTAG as AXI Master IP insertion, see “Define Custom Parameters and Register Callback Function Handle”.

For an example, see Using JTAG MATLAB as AXI Master to control the HDL Coder IP Core.

Performance improvement to AXI Master interfaces in HDL DUT IP core

When you generate an HDL IP core with AXI Master interfaces, if the data width of the downstream slave device is wider than the data width of the DUT AXI Master, you might see a performance improvement. In the generated HDL IP AXI Master interface, the `AWCACHE` and `ARCACHE` signals are now set to `4'b0011`, which enables the downstream slave to modify the data transfer pattern of AXI transactions. Therefore, the slave can now pack data up to wider widths, which improves the AXI Master performance.

For example, suppose you have an RFSoc that uses a data of AXI bitwidth 128-bit on the DUT AXI Master and a data of AXI bitwidth 512-bit on the DDR4 memory controller IP. The AXI Interconnect can now pack the data up to 512-bit and transfer up to four data in each clock cycle at the DDR memory controller IP side, which reduces congestion on the DDR memory access.

Updates to supported software

HDL Coder has been tested with:

- Xilinx Vivado® Design Suite 2018.3
- Intel® Quartus Prime Standard Edition 18.1

See “Supported Third-Party Tools and Hardware”.

R2019a

Version: 3.14

New Features

Bug Fixes

Model and Architecture Design

Protected Model Code Generation: Share protected Simulink models with the option to allow HDL code generation

To share a model with a third-party vendor while hiding your model's intellectual property, protect the model. In R2019a, you can create a protected model that supports HDL code generation. The model that you want to protect must be a referenced model. In the parent model:

- 1 Right-click the model reference block that you want to protect and select **Subsystem and Model Reference > Create Protected Model for Selected Model Block**.
- 2 Enable HDL code generation support for the protected model by selecting **Use generated HDL code** in the Create Protected Model dialog box. You can enable password protection, which protects the model contents by using AES-256 encryption.

You can generate HDL code for models that contain protected model references created for HDL code generation. Before you generate HDL code, you must authorize the protected model references that are password-protected. For authorization, right-click the protected model reference blocks and select **Authorize**.

To learn more, see Model Protection.

Enhancements to single-precision native floating-point operators support

ULP Accuracy and DSP Usage Improvements

ULP of these native floating-point operators with single data types have improved:

Operator	Before R2019a	In R2019a
log	3	1
asinh	3	2
atanh	4	3

In addition, the maximum latency value of the log operator increased from 20 to 27. The minimum latency of the operator is unchanged.

See also ULP of Native Floating-Point Operators.

Improvements to Rounding Function

For the Rounding Function block, in R2019a, native floating-point in HDL Coder has:

- Support for custom latency.
- Improvements to area usage and target frequency.

Additional block support with double-precision native floating-point code generation

HDL Coder now supports code generation for these blocks that have double data types in the Native Floating Point mode.

- Sqrt and Reciprocal Sqrt
- Rounding Function
- Data Type Conversion for conversions between double type and fixed-point data types
- MinMax
- Dot Product
- Sum of Elements and Product of Elements
- Lookup tables including Direct Lookup Table (n-D) and n-D Lookup Table
- Single Port RAM, Simple Dual Port RAM, Dual Port RAM, and Dual Rate Dual Port RAM
- HDL FIFO
- Discrete-Time Integrator

To see all blocks that HDL Coder supports with double-precision data types, see [Simulink Blocks Supported with Native Floating-Point](#).

Additional Verilog constructs supported with HDL import

HDL import now has support for more synthesizable Verilog constructs that you can use when importing your HDL file to generate the corresponding Simulink model. You can now use:

- Implicit data type conversion such as in arithmetic operations, data type conversion, bit selection, and concatenation.
- Constructs that infer RAM blocks in your Simulink model. The blocks that are inferred include Single Port RAM, Dual Port RAM, and the System-Object based RAM blocks, Single Port RAM System and Dual Port RAM System.
- Constructs that infer Compare To Constant and Gain blocks in your model.
- for loop and loop generate constructs such as for-generate, if-generate, and case-generate constructs.
- casex and casez statements.

To learn more about the supported constructs, see Supported Verilog Constructs for HDL Import.

For examples, see `importhdl`.

HDL Coder contextual tab in Simulink Toolstrip tech preview

In R2019a, you have the option to turn on the Simulink Toolstrip. See **Simulink Toolstrip Tech Preview replaces menus and toolbars in the Simulink Desktop** release note in the Simulink release notes for more details.

The Simulink Toolstrip includes contextual tabs that appear only when you need them. The HDL Coder contextual tabs include options for completing actions that apply only to HDL Coder.

- To access the **HDL Code** tab, open the **HDL Coder** app from the **Apps** tab within the Simulink Toolstrip.
- To access options in the **HDL Code** tab such as to display the HDL Block Properties for a block or a Subsystem in your model, select that block or Subsystem. The options change contextually depending on what you select in the model.

Documentation does not reflect addition of the HDL Coder contextual tabs.

HDL Coder Modeling Guidelines in Documentation

In R2019a, the HDL Coder documentation contains a list of modeling guidelines. These guidelines are general recommendations for creating Simulink models, MATLAB Function blocks, and Stateflow® charts for code generation with HDL Coder.

The guidelines are divided into three sections:

- **Model Design and Compatibility Guidelines:** Consists of guidelines for usage of basic blocks, clock and reset signals, buses and vectors, and how to model your design hierarchically.
- **Guidelines for Supported Blocks and Data Type Settings:** Consists of guidelines for using various blocks in the HDL Coder block library and about the support data types.
- **Guidelines for Speed and Area Optimizations:** Consists of guidelines for optimizing your design for speed or area for deployment on to the target hardware.

For more information, see HDL Modeling Guidelines.

Simscape Hardware-in-the-Loop Workflow

Double-precision floating-point support for HDL code generation from Simscape models

You can now generate an HDL implementation model with double data types when you run the Simscape HDL Workflow Advisor for your original Simscape model. To generate the implementation model with double data types, in the **Generate implementation model task**, specify `double` as the **Floating-point precision**.

Previously, you could generate an implementation model with single data types. In R2019a, `single` is the default data type. It is recommended that you use `single` data types, and then simulate the generated implementation model to see if your design meets the numerical accuracy requirements. If your design does not meet the requirements, use `double` as the **Floating-point precision**.

See also Simscape HDL Workflow Advisor Tasks and Validate HDL Implementation Model to Simscape Algorithm.

Validation logic verification for functional equivalence of HDL implementation model with Simscape model

In R2019a, you can specify insertion of a validation logic subsystem in the HDL implementation model when you run the Simscape HDL Workflow Advisor. By using the validation logic, you can verify the functional equivalence of the generated HDL implementation model with the original Simscape algorithm.

To insert this logic, in the **Generate implementation model task**, select the **Generate validation logic for the implementation model** check box. When you run this task and open the HDL implementation model, you see a `Validation Subsystem` block that compares the output of the Simscape algorithm with the HDL implementation.

If the HDL implementation model does not meet the numerical accuracy requirements of your design, you can increase the **Validation logic tolerance** or change the **Floating-point precision** to `double`. To learn more, see Validate HDL Implementation Model to Simscape Algorithm.

Simscape to HDL Workflow Reference Applications

Simscape to HDL workflow provides two examples:

- Replacing variable resistors illustrates how a nonlinear model that consists of variable resistors can be replaced by using an equivalent switched linear model for compatibility with Simscape to HDL workflow and generation of HDL implementation model.
- Simscape Hardware-in-the-Loop (HIL) on Speedgoat FPGA I/O Modules illustrates how you can target your Simscape algorithm onto Speedgoat FPGA I/O modules and perform Hardware-in-the-Loop (HIL) simulation.

Block Enhancements

Streaming Matrix Multiply and Streaming Matrix Inverse Reference Applications

HDL Coder provides two examples that illustrates how you can perform streaming matrix inverse and streaming matrix multiplication for code generation.

- HDL Code Generation for Streaming Matrix Multiply System Object
- HDL Code Generation for Streaming Matrix Inverse System Object

Partition Offset parameter support in For Each Subsystem block

You can now generate HDL code for models that contain For Each Subsystem blocks with a nonzero value specified for the **Partition Offset** parameter of the For Each block.

See also For Each and Generate HDL Code for Blocks Inside For Each Subsystem.

Enhancements to Assignment and Selector blocks

Enhancements to Assignment block

In R2019a, HDL Coder supports all indexing modes of the Assignment block for 1-D vectors and 2-D matrices. With 1-D vectors, you can also use array of buses for all indexing modes of the block. To learn more about modeling with array of buses, see [Generating HDL Code for Subsystems with Array of Buses](#).

Previously, the code generator supported `Index vector (port)` as the **Index Option** mode for 1-D vectors and assignment to a scalar element for 2-D matrices. The supported modes for 1-D vectors now include:

- Assign All
- Index vector (dialog)
- Index vector (port)
- Starting index (dialog)
- Starting index (port)

For 2-D matrices, you can now index both dimensions by using any combination of these indexing modes. To learn more about the indexing modes of the block and how to use them, see Assignment.

Enhancements to Selector block

HDL Coder now supports all indexing modes of the Selector block for 1-D vectors and 2-D matrices.

Previously, the code generator supported all **Index Option** modes for 1-D vectors and indexing of scalar elements for 2-D matrices. In R2019a, you can use any indexing mode for 1-D vectors and use any combination of these indexing modes to index both dimensions of a 2-D matrix:

- Select All
- Index vector (dialog)
- Index vector (port)
- Starting index (dialog)
- Starting index (port)

To learn more about the indexing modes of the block and how to use them, see Selector.

Enhancements to Discrete FIR Filter HDL Optimized block and frame-based Discrete FIR Filter block

Enhancements to Discrete FIR Filter HDL Optimized Block

The Discrete FIR Filter HDL Optimized block now provides the option to use programmable coefficients with a fully parallel systolic architecture. When you use a partly serial systolic architect, the block now optimizes symmetric and antisymmetric coefficients and provides an optional reset port. To use this block, you must have DSP System Toolbox installed.

These features are also available with the `dsp.HDLFIRFilter` System object.

HDL code generation support for programmable coefficients with frame-based Discrete FIR Filter block

The Discrete FIR Filter block now supports specifying coefficients from an input port when you use frame-based input. To use this feature, you must have DSP System Toolbox.

LTE Reference Applications: Transmitter example and TDD support for SIB recovery

LTE HDL Toolbox provides two examples:

- The LTE HDL PBCH Transmitter (LTE HDL Toolbox) reference application generates the baseband waveform specified by LTE standard TS 36.211. The waveform includes the primary synchronization signal (PSS), secondary synchronization signal (SSS), cell-specific reference signals (Cell-RS), and the master information block (MIB) for transmission through the Physical Broadcast Channel (PBCH).
- The LTE HDL SIB1 Recovery (LTE HDL Toolbox) reference application now shows how to decode SIB1 data for LTE networks that use either TDD or FDD.

Both designs support HDL code generation with HDL Coder and are ready for deployment to hardware.

OFDM Modulator block and LTE and 5G Symbol Modulator blocks

The OFDM Modulator block implements an algorithm for modulating LTE signals specified by LTE standard TS 36.212. The block modulates an encoded resource grid into time-domain OFDM samples.

The LTE Symbol Modulator block and the NR Symbol Modulator block map groups of bits to complex data symbols according to a dynamic modulation scheme. These supported modulation schemes are specified by LTE standard TS 36.211 and 3GPP 5G standard TS 38.211.

- LTE Symbol Modulator: BPSK,QPSK,16/64/256-QAM
- NR Symbol Modulator: pi/2-BPSK, BPSK,QPSK,16/64/256-QAM

To use these blocks, you must have LTE HDL Toolbox installed. Each of these three blocks provides an interface and architecture for HDL code generation and hardware deployment.

Increased kernel size limits for Image Filter block

The Image Filter block now allows for a coefficient kernel with up to 64-by-64 elements. Previously, the block restricted the coefficient kernel size to 16-by-16 elements. You can use this block if you have Vision HDL Toolbox installed.

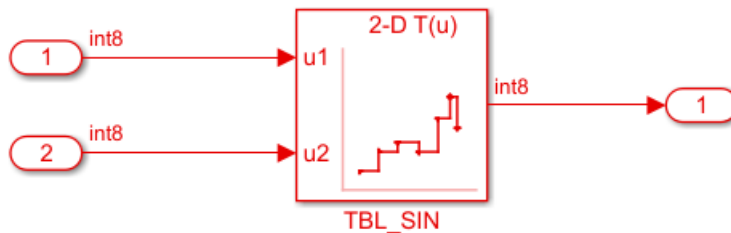
Code Generation and Verification

Customization of constant name in VHDL code generated for Lookup Table data

Previously, when you generated VHDL code for models that contain lookup tables, the CONSTANT name for the lookup table data was assigned as `nc` in the generated code, irrespective of the lookup table name.

In R2019a, the generated code uses the name of the Lookup table block followed by the postfix `_data` for the CONSTANT name in the generated code, based on the name of the Lookup table block in your Simulink model. This naming customization makes it easier to trace between the model and the generated code.

For example, consider this model that contains a Lookup Table with the name `TBL_SIN`.



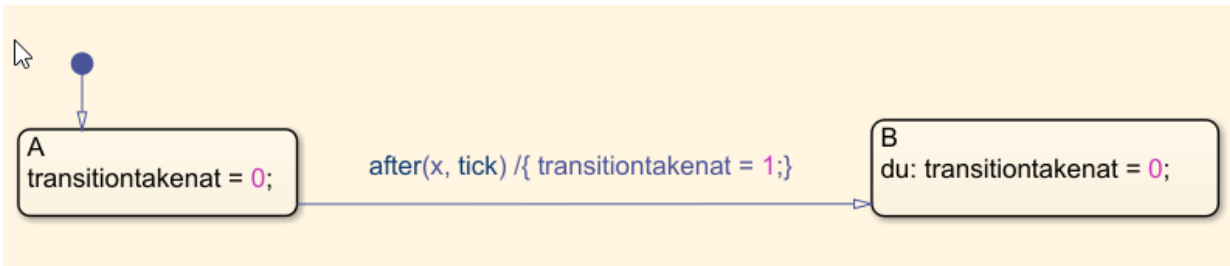
The generated code for the lookup table data is as shown in table:

Before R2019a	In R2019a
<pre>-- Constants CONSTANT nc : vector_of_signed8(0 TO 3) := (to_signed(16#04#, 8), to_signed(16#10#, 8), to_signed(16#05#, 8), to_signed(16#13#, 8)); -- sfix8 [4]</pre>	<pre>-- Constants CONSTANT TBL_SIN_table_data : vector_of_signed8(0 TO 3) := (to_signed(16#04#, 8), to_signed(16#10#, 8), to_signed(16#05#, 8), to_signed(16#13#, 8)); -- sfix8 [4]</pre>

Optimized counters in generated HDL code for Stateflow temporal logic

Temporal logic operators produce integer or fixed-point type counters in the generated HDL code. Previously, the counter data type in the generated code was returned as `uint8`, `uint16`, or `uint32`, irrespective of the size of the fixed-point type.

In R2019a, the counters in the generated HDL code are optimized based on the operator and the type of threshold. For example, consider this Stateflow chart in your Simulink model. The variable `x` uses the data type `fixdt(0,5,0)`.



The generated Verilog code for the chart is as shown in the table. The fixed-point type is optimized to `ufix5` instead of returning as `uint8`.

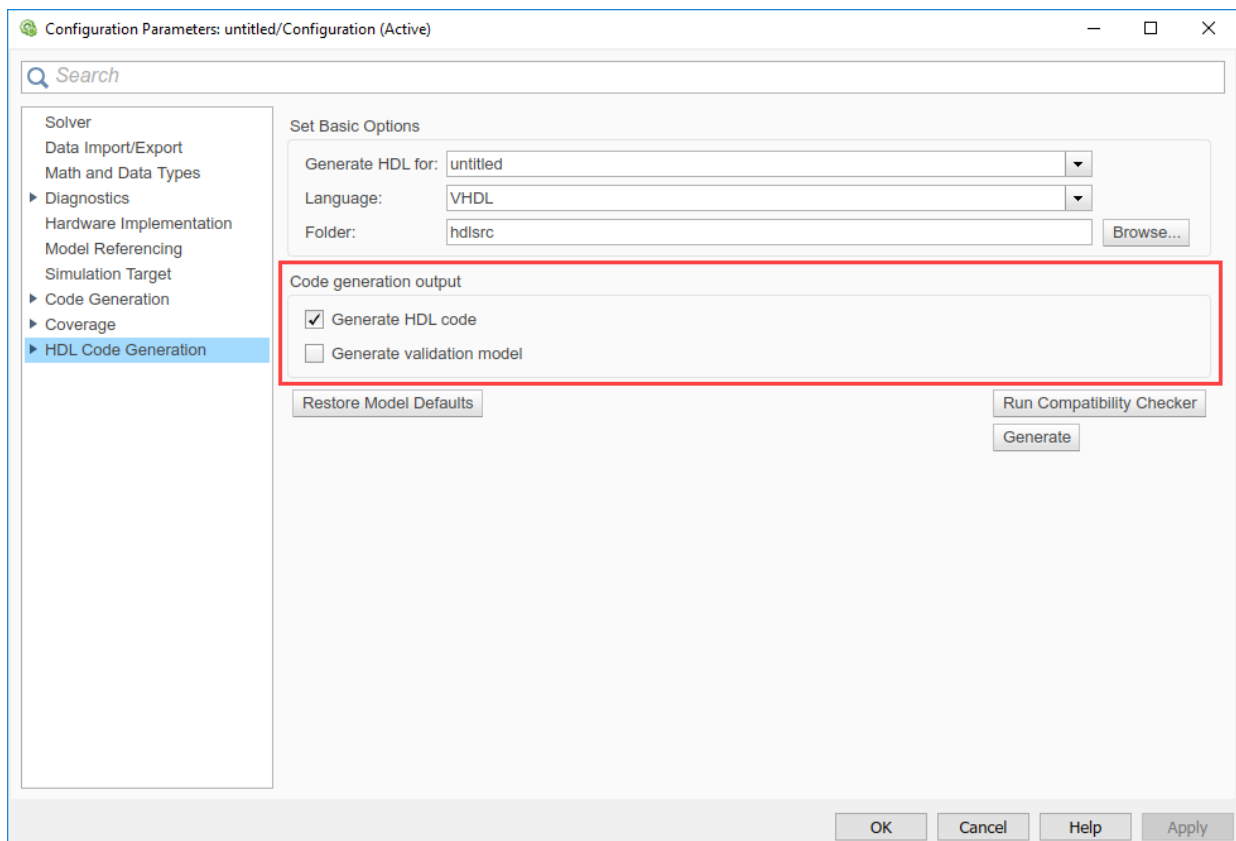
Before R2019a	In R2019a
<pre> module Chart (clk, reset, enb, x, transitiontakenat); ... reg is_Chart; // uint8 reg [31:0] transitiontakenat_1; // uint32 reg [7:0] temporalCounter_il; // uint8 reg is_Chart_next; // enum type is_Chart (2 Enums) reg [7:0] temporalCounter_il_next; // uint8 reg [7:0] temporalCounter_il_temp; // uint8 reg [7:0] t_0; // ufix8 ... </pre>	<pre> module Chart (clk, reset, enb, x, transitiontakenat); ... reg is_Chart; // uint8 reg [31:0] transitiontakenat_1; // uint32 reg [4:0] temporalCounter_il; // ufix5 reg is_Chart_next; // enum type is_Chart (2 Enums) reg [4:0] temporalCounter_il_next; // ufix5 reg [4:0] temporalCounter_il_temp; // ufix5 ... </pre>

HDL Coder Workflow: Enhanced options for model generation

In R2019a, HDL Coder provides options for model generation in the **HDL Code Generation** pane for better usability and performance. In the **Model Generation** tab, you can select the types of the models that you want to generate. You can customize the name of the generated model and the validation model by using **Naming options**. To control the layout of the generated models, use the **Layout options**. For more information, see Model Generation for HDL Code.

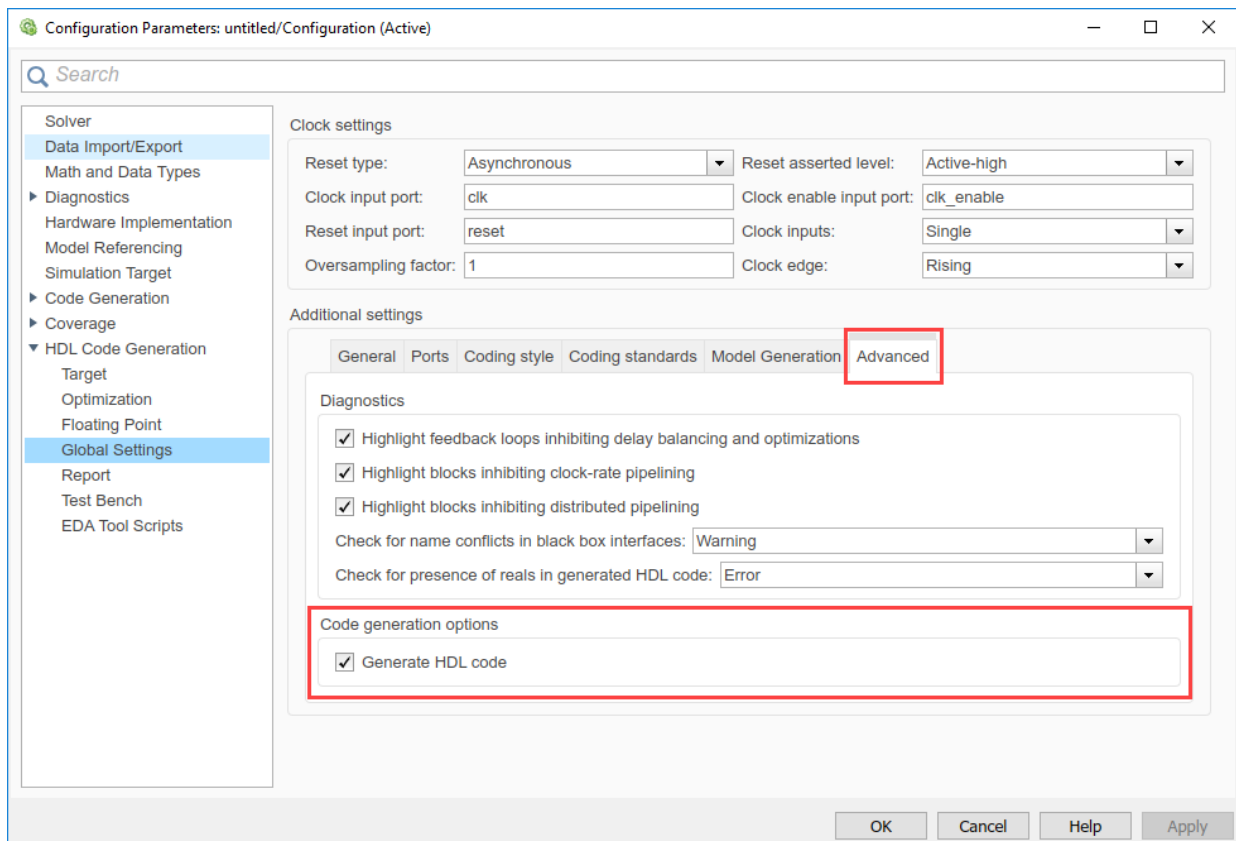
HDL Code Generation: Diagnostics tab renamed to Advanced

Before R2019a, **Code generation output** option was available when you selected **HDL Code Generation** in the left pane.



Starting in R2019a, the **Code generation output** option is available under the **Advanced** tab when you select **HDL Code Generation > Global Settings** in the right pane.

In releases before R2019a, the **Global Settings** pane had a **Diagnostics** tab. This tab has now been replaced by the **Advanced** tab, which contains the parameters listed under the **Diagnostics** section.



For more information, see [Diagnostics for Optimizations](#), [Diagnostics for Reals and Black Box Interfaces](#), and [Code Generation Output](#).

Speed and Area Optimizations

Improvements to element-wise matrix transformation

Previously, when you performed element-wise matrix operations with blocks such as Add or Product, the code generator expanded the matrix operation to multiple equivalent scalar operations. The scalar operations extracted each element, performed the computation, and then combined the scalar elements to output the matrix result. This transformation made the generated model appear complex, especially for large matrices.

In R2019a, when you perform element-wise matrix operations, the code generator transforms the element-wise matrix operations in the generated model to column vectors instead of expanding it to multiple scalar operations. This transformation enables you to more effectively use optimizations such as streaming when performing matrix operations in your design.

Optimization of unconnected port for removing redundant logic in design

You can remove redundant logic in your design by deleting the unconnected ports. The optimization for unconnected ports removes all unconnected input and output ports from the generated code. It does not remove ports from the top-level DUT models or subsystems.

The optimization includes removing unconnected vector and scalar ports, bus element ports, and bus ports. Removing unconnected ports improves the readability of the generated VHDL or Verilog code and reduces code size and area usage.

For more information, see [Remove Redundant Logic in Design](#).

IP Core Generation and Hardware Deployment

DUT AXI4 slave interface connection to multiple AXI Master interfaces in reference designs

In R2019a, HDL Coder enables you to connect AXI4 slave interfaces in the DUT HDL IP core to multiple AXI Master interfaces in the custom reference design.

Previously, when you used the `addAXI4SlaveInterface` method, you could specify only one AXI Master interface connection to the DUT AXI4 slave IP core. In R2019a, you can define multiple AXI Master interfaces which enables you to simultaneously connect your HDL DUT IP core to two or more AXI Master IP in the reference design, such as the JTAG AXI Master IP and the ARM® processor in the Zynq® Processing System.

To learn how you can specify multiple AXI Master interfaces in reference designs, see [Define Multiple AXI Master Interfaces in Reference Designs to access DUT AXI4 Slave Interface](#).

Default system with External DDR4 Memory Access reference design

You can use a new `Default system with External DDR4 Memory Access` reference design when you specify `Xilinx Zynq UltraScale+ MPSoC ZCU102 evaluation kit` as the target platform.

You must have HDL Verifier™ and the HDL Coder Support Package for Xilinx Zynq Platform.

Generation of HDL IP core without AXI4 slave interfaces

In R2019a, when you run the Generic IP Core Generation workflow, you can generate an HDL IP core without any AXI4 slave interfaces. Use this capability if you do not want to generate an AXI4 slave interface to tune the IP core parameters.

To run this workflow, open the HDL Workflow Advisor, specify `Generic Xilinx Platform` or `Generic Altera Platform` as the target platform, and make sure that you map the DUT ports to only `External IO`, `Internal IO`, or `AXI4-Stream` interface with `TLAST` mapping. In addition, when you generate the HDL IP core, in the **Generate RTL**

Code and IP Core task, clear the Generate default AXI4 slave interface check box, and then select **Run This Task**. For more information, see Custom IP Core Generation and Generate Board-Independent HDL IP Core from Simulink Model.

You can also create a custom reference design without an AXI4 slave interface that you can use to target standalone FPGA boards. In the reference design definition file `plugin_rd.m`, remove any mention of the `addAXI4SlaveInterface` method. For examples, see:

- <https://www.mathworks.com/help/releases/R2019a/hdlcoder/examples/ip-core-generation-workflow-without-an-embedded-arm-processor-xilinx-kintex-7-kc705.html>
- <https://www.mathworks.com/help/releases/R2019a/hdlcoder/examples/ip-core-generation-workflow-without-an-embedded-arm-processor-arrow-deca-max-10-fpga-evaluation-kit.html>

Improved synchronization of global reset signal to IP core clock domain

In R2019a, when you run the IP Core Generation workflow, the code generator automatically inserts a piece of logic that synchronizes the global reset signal to the IP core clock domain. The addition of this synchronization logic prevents metastability in flipflops that can occur when the reset signal changes within the setup or hold edge of the clock.

The synchronization logic works differently depending on whether you specify the **Reset type** as Synchronous or Asynchronous on the model.

- Asynchronous reset: The logic asserts the reset signal asynchronously and de-asserts the reset signal synchronously.
- Synchronous reset: The logic asserts and de-asserts the reset signal synchronously.

For more information, see Synchronization of Global Reset Signal to IP Core Clock Domain.

Minimization of clock enable signals in IP Core Generation workflow

When you run the IP Core Generation workflow, in the **Set Advanced Options** task of the HDL Workflow Advisor, on the **Ports** tab, if you select the **Minimize clock enables**

check box, you can now minimize or remove clock enable signals in the generated HDL IP core.

To use this capability, you must:

- Specify Free running as the **Processor/FPGA synchronization** mode.
- Assign one of the DUT ports to the Ready port when mapping to AXI4-Stream Master or AXI4-Stream Video Master interfaces.

Updates to supported software

HDL Coder has been tested with Xilinx Vivado Design Suite 2018.2.

See Supported Third-Party Tools and Hardware.

R2018b

Version: 3.13

New Features

Bug Fixes

Compatibility Considerations

Model and Architecture Design

Verilog Import: Import synthesizable Verilog code and generate Simulink model

In R2018b, by using the `importhdl` function, you can import your HDL file that contains synthesizable Verilog code and generate the corresponding Simulink model. The generated Simulink model is an exact representation of the HDL code in terms of functionality and behavior. The imported model uses basic Simulink blocks instead of a black box representation.

By importing the code in Simulink, you can

- Verify the simulation behavior of the handwritten Verilog code in a model-based simulation environment.
- Optimize your design in Simulink and further improve area and timing on the target FPGA device by using the speed and area optimizations in HDL Coder.

To learn more, see [Verilog HDL Import: Import Verilog Code and Generate Simulink Model](#).

Double-Precision Native Floating Point: Generate target-independent synthesizable RTL from double-precision floating-point models

In R2018b, if you have double-precision data types in your Simulink model, you can use HDL Coder native floating-point support to generate target-independent HDL code without converting to fixed point or single-precision data types. You can deploy the generated code on any generic ASIC or FPGA platform.

To see the blocks that HDL Coder supports with double-precision data types, see [Simulink Blocks Supported with Native Floating-Point](#).

Custom latency specification for native floating-point operators

In R2018b, if you use floating-point data types as input to certain blocks in your model, you can specify a custom latency by using the HDL Coder native floating-point support.

By using custom latency, you can use more latency choices other than from **Zero**, **Min**, and **Max**, which gives you better speed control. To learn about the blocks that support the custom latency setting and how to specify a custom latency, see `NFPCustomLatency`.

By specifying a custom latency, you can customize your design to achieve a balance between:

- Clock frequency and power consumption: A higher latency value increases the maximum clock frequency (F_{max}), which increases the dynamic power consumption.
- Oversampling factor and sampling frequency: A combination of higher latency value and higher oversampling factor increases the F_{max} but reduces the sampling frequency.

See also `Latency of Floating Point Operators`.

Enhancements to supported blocks and complex data types with single-precision native floating-point

Block Support

HDL Coder now supports the `Sqrt` block with **Function** set to `signedSqrt` in the native floating-point mode.

Complex Data Type Support

HDL Coder now supports complex types with these blocks in the native floating-point mode.

- Unary Minus
- Sign
- Math Function with **Function** set to `conj`, `transpose`, or `hermitian`
- Data Type Conversion
- Rounding Function with **Function** set to `floor`, `ceil`, `round`, or `fix`

See also `Simulink Blocks Supported with Native Floating-Point`.

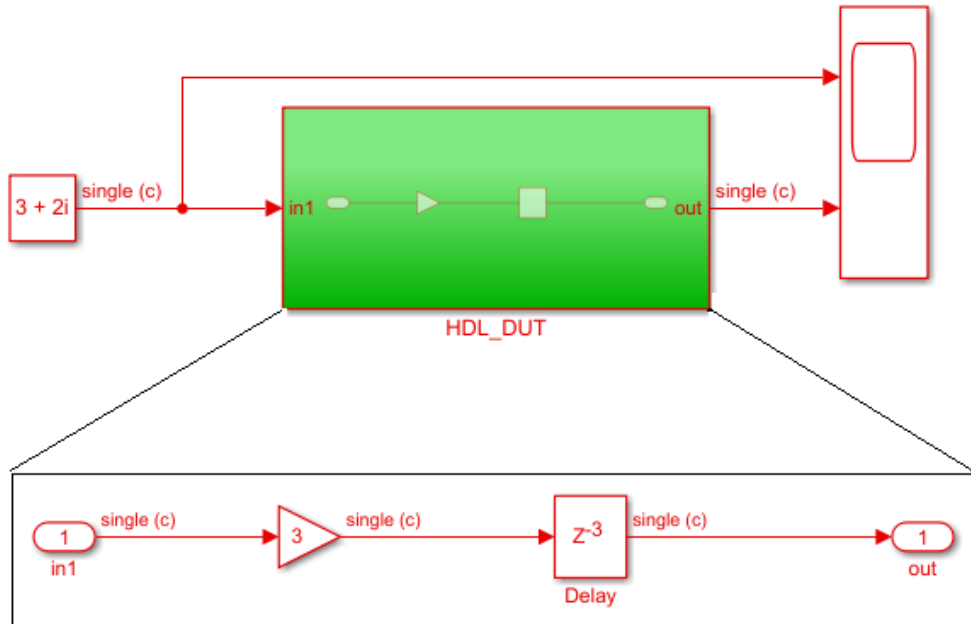
Enhancements to output delay absorption for complex multipliers with single-precision native floating-point

In R2018b, if your design uses single data types and contains complex Gain blocks that take a complex input or have a complex **Gain** parameter, or your design contains complex Product blocks, HDL Coder absorbs the delays at the output of the blocks. To use this delay absorption, before you generate HDL code, enable the Native Floating Point mode.

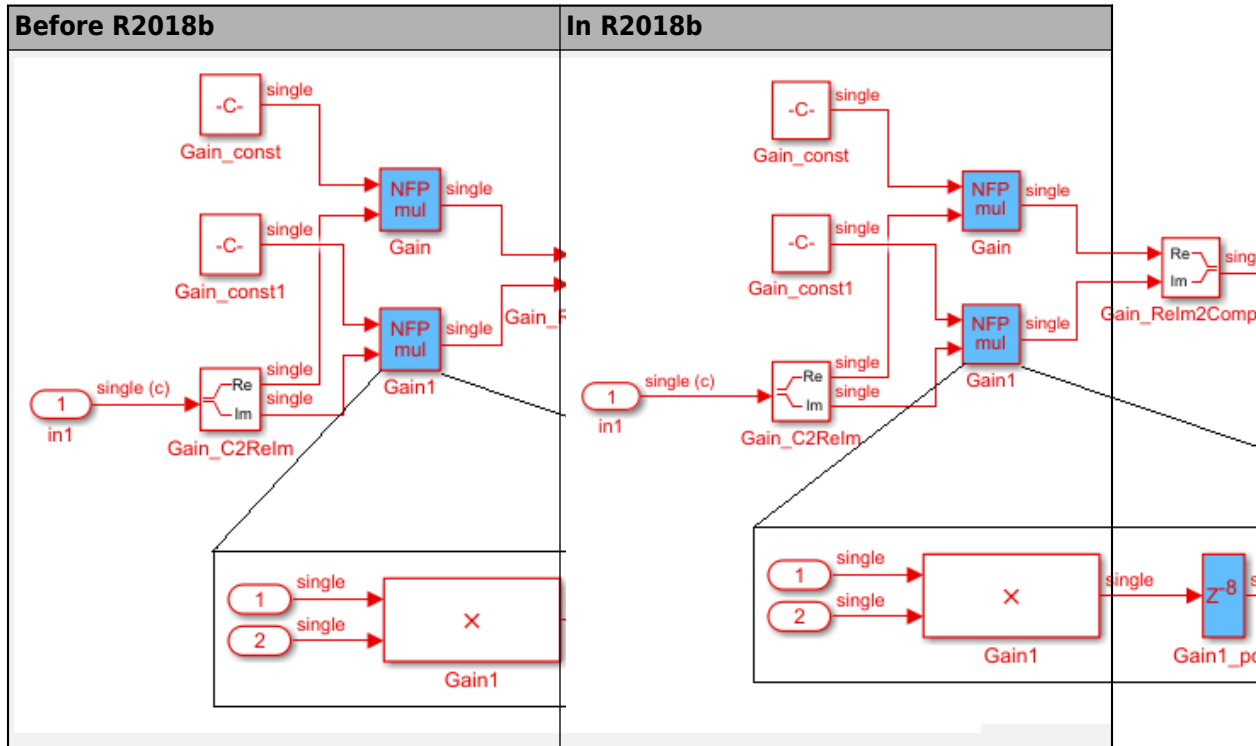
Previously, for the Gain block, HDL Coder absorbed delays when both input and the **Gain** parameter were scalars. Now, for the Gain block, HDL Coder absorbs delays in any of these cases:

- Scalar input with scalar **Gain** parameter
- Complex input with scalar **Gain** parameter
- Scalar input with complex **Gain** parameter
- Complex input with complex **Gain** parameter

For example, this figure shows a model that uses single data types and inputs a complex value to a Gain block that has a scalar **Gain** parameter and an output delay of three.



This table displays the generated model when you generate code for the **HDL_DUT** Subsystem. In R2018b, you see that HDL Coder absorbs the delays as part of the floating-point product operators, **NFP_mul**. To learn more, see Latency Considerations with Native Floating Point.



Simscape Hardware-in-the-Loop Workflow

Hardware Acceleration of Plant Models: Generate HDL code from Simscape Electrical switched linear models

In R2018b, you can generate HDL code for your plant model that you developed by using Simscape blocks, and then deploy the generated code to a target FPGA device. Previously, before you could generate HDL code, you had to convert the Simscape model to an equivalent Simulink model.

By deploying the plant model to an FPGA, you can:

- Simulate the HDL implementation in real time with smaller time steps and increased accuracy by using hardware-in-the-loop (HIL) simulations.
- Model complex physical systems that previously took a long time to model by using Simulink blocks.
- Use the reconfigurability and parallelism capabilities of the FPGA for improved area and timing.

For more information, see [Simscape](#) .

Block Enhancements

Enhancements to matrix support for HDL code generation

In R2018b, HDL Coder extends the block support to more blocks that can perform element-wise operations. Other blocks that are supported with matrix types include:

- Assignment
- From
- Goto
- MATLAB Function

To learn about blocks that are supported with matrix types, see Signal and Data Type Support.

HDL code generation support for Probe block and blocks that detect change in input signal value

In R2018b, HDL Coder supports code generation for these blocks:

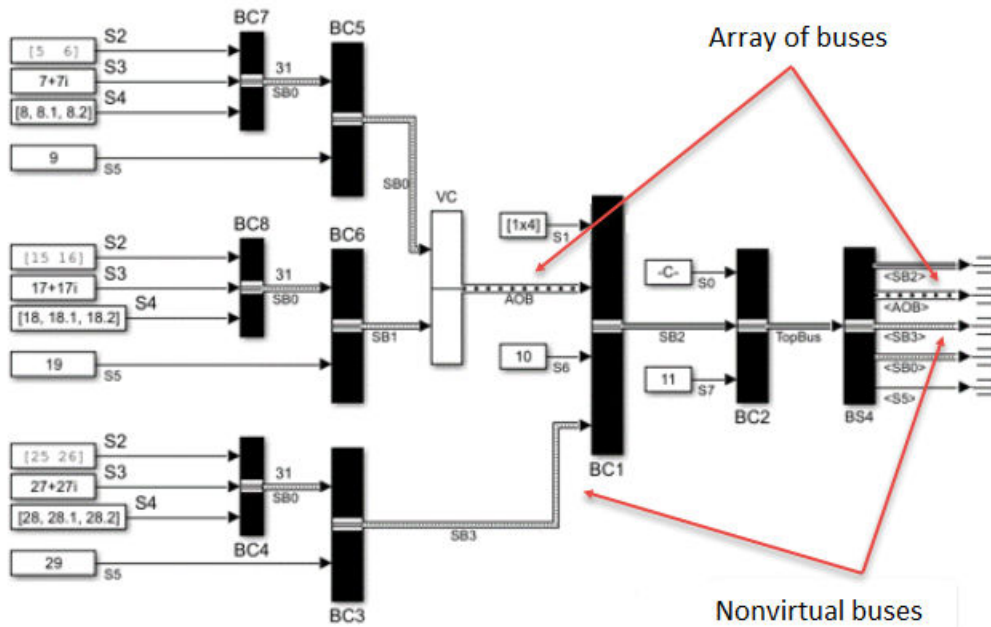
- Probe - probes selected attributes of the input signal such as width, dimensionality, sample time and offset, and whether the signal is complex-valued.
- Detect Change - detects whether there is a change in value of an input signal from the previous value.
- Detect Decrease - detects whether there is a decrease in value of an input signal from the previous value.
- Detect Increase - detects whether there is an increase in value of an input signal from the previous value.

HDL code generation support for Foreach Subsystem with Minimize global resets setting

In R2018b, HDL Coder supports code generation for a design that uses a For Each Subsystem and has the **Minimize global resets** setting enabled. To learn more about this setting, see Minimize Clock Enables and Reset Signals.

HDL Coder support for virtual bus containing nonvirtual subbus

In your design, you can now model virtual buses containing nonvirtual buses or an array of buses, and then generate HDL code for the design.



Viterbi Decoder and Depuncturer Block: Decode bitstreams by using the Viterbi algorithm with puncturing, terminated, and truncated modes (requires LTE HDL Toolbox)

The Viterbi Decoder block supports continuous, terminated, and truncated modes by using hardware-friendly control signals. The block supports punctured code rates and provides an erasure port. The Depuncturer block accepts a puncture vector as either a port or a property and provides an erasure output signal.

Both blocks support HDL code generation.

HDL code generation support for complex input signals or complex coefficients of frame-based Discrete FIR Filter and FIR Decimation blocks (requires DSP System Toolbox)

You can generate HDL code from a frame-based filter that uses either complex input signals and real coefficients or complex coefficients and real input signals. See the "Frame-Based Input Support" sections of Discrete FIR Filter and FIR Decimation.

Discrete FIR Filter HDL Optimized: Select transposed architecture, optimize symmetric and antisymmetric coefficients, and enable reset port (requires DSP System Toolbox)

The Discrete FIR Filter HDL Optimized block now provides:

- An option to use a direct form transposed architecture.
- Optimization of symmetric and antisymmetric coefficients when you select **Direct form systolic** (without **Share DSP resources** enabled) or select **Direct form transposed**. This optimization reduces the number of multipliers and makes efficient use of FPGA DSP resources.
- Optional **Reset** input port.

These features are also available on the `dsp.HDLFIRFilter` System object.

Compatibility Considerations

Starting in R2018b:

- The **validIn** port is mandatory. The **Enable valid input port** parameter is no longer available.
- The **ready** port is always enabled when you select **Share DSP resources** and disabled when you clear **Share DSP resources**. The **Enable ready output port** parameter is no longer available.

Code Generation and Verification

Test Point Integration with FPGA Data Capture: Use FPGA data capture to specify signals to be captured during FPGA testing by using Test Points in Simulink

You can now use FPGA Data Capture in an HDL Coder workflow. Configure the HDL Workflow Advisor to enable DUT output port generation for test point signals, and then analyze them in MATLAB or Simulink (Requires an HDL Verifier license).

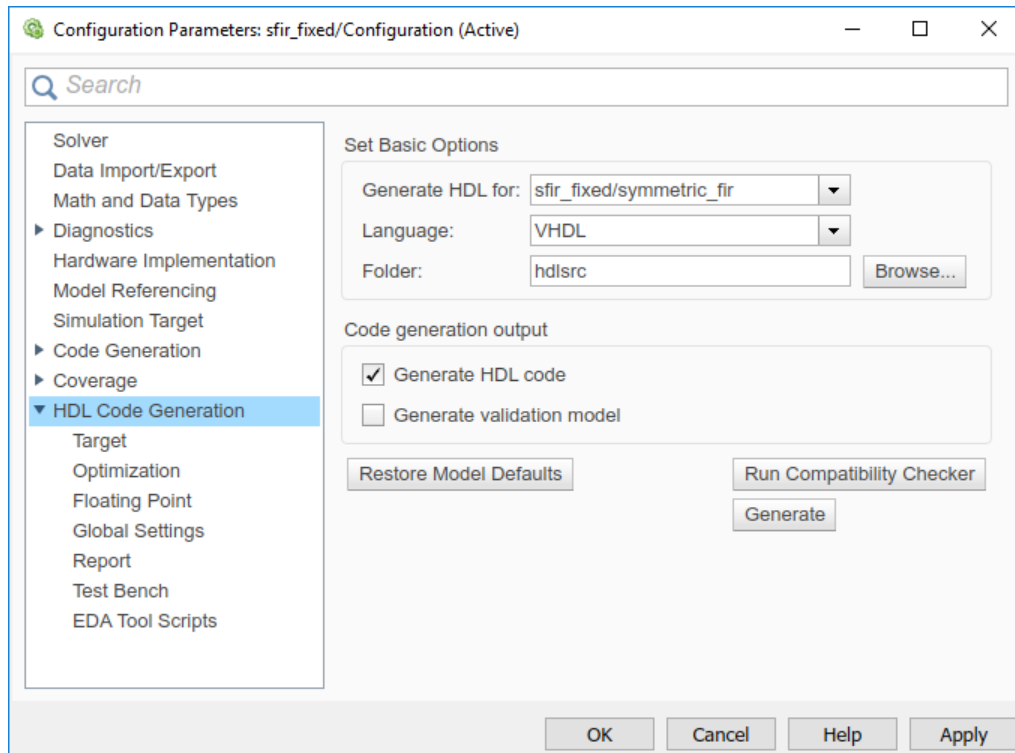
For more information, see [FPGA Data Capture](#).

User-Interface Improvements to HDL Workflow Advisor and HDL Code Generation Pane in Configuration Parameters Dialog Box

HDL Code Generation Pane in Configuration Parameters Dialog Box

The **HDL Code Generation** pane is now reorganized and has new subpanes. The new panes includes subpanes for specifying target device settings, speed and area optimizations, reporting parameters, and so on. Before generating code, you can use this organization to more easily navigate to the parameters of interest and apply them to your model.

This figure shows the new panes added to the **HDL Code Generation** pane.



This table lists the changes to the **HDL Code Generation** pane.

HDL code generation parameters in Configuration Parameters Dialog Box	Before R2018b	In R2018b
Target frequency and synthesis tool and device parameters	Tool and Device section of the HDL Code Generation > Target and Optimization pane.	The parameters moved to a new HDL Code Generation > Target pane.

HDL code generation parameters in Configuration Parameters Dialog Box	Before R2018b	In R2018b
Multicycle path constraints and optimization parameters	Optimization and Multicycle Path Constraints sections of the HDL Code Generation > Target and Optimization pane.	The parameters moved to a new HDL Code Generation > Optimization pane.
Native floating-point and target floating-point mapping parameters	Floating Point Target tab of the HDL Code Generation > Global Settings pane.	The parameters moved to a new HDL Code Generation > Floating Point .
Code Generation Report parameters	Code Generation Report section of the HDL Code Generation pane.	The parameters moved to a new HDL Code Generation > Report pane.

HDL Workflow Advisor

The HDL Workflow Advisor has a new **Set Report Options** task. The new task appears after the **Set Basic Options** task. Use this task to specify the **Code Generation Report** parameters that were previously in the **Set Basic Options** task.

The screenshot displays the HDL Workflow Advisor window with the following details:

- Window Title:** HDL Workflow Advisor - comparator/comparator
- Menu:** File, Edit, Run, Help
- Find:** Search bar with navigation arrows.
- Task List (Left Panel):**
 - 1. Set Target
 - ^1.1. Set Target Device and Synthesis Tool (Selected)
 - 1.2. Set Target Frequency
 - 2. Prepare Model For HDL Code Generation
 - 2.1. Check Global Settings
 - ^2.2. Check Algebraic Loops
 - ^2.3. Check Block Compatibility
 - ^2.4. Check Sample Times
 - 3. HDL Code Generation
 - 3.1. Set Code Generation Options
 - 3.1.1. Set Basic Options
 - 3.1.2. Set Report Options
 - 3.1.3. Set Advanced Options
 - 3.1.4. Set Optimization Options
 - 3.1.5. Set Testbench Options
 - ^3.2. Generate RTL Code and Testbench
 - 4. FPGA Synthesis and Analysis
 - 4.1. Create Project
 - 4.2. Perform Synthesis and P/R
 - 4.2.1. Run Synthesis
 - 4.2.2. Run Implementation

- Task Details (Right Panel):**
- Section:** 1.1. Set Target Device and Synthesis Tool
- Analysis:** (^Triggers Update Diagram)
- Set Target Device and Synthesis Tool for HDL code generation**
- Input Parameters:**
 - Target workflow: Generic ASIC/FPGA
 - Target platform: [Dropdown] Launch Board Manager
 - Synthesis tool: Microsemi Libero SoC Tool version: 11.8 Refresh
 - Family: RTG4 Device: RT4G150
 - Package: 1657 CG Speed: STD
 - Project folder: hdl_prj Browse...
- Run This Task** button
- Result:** Passed
- Message:** Passed Set Target Device and Synthesis Tool.
- Buttons:** Help, Apply

Speed and Area Optimizations

Enhancements to optimization that removes redundant logic in design

In R2018b, HDL Coder made enhancements to the optimization that removes redundant logic in design, which further reduces code size and area usage.

For example, if you have an Enabled Subsystem that does not contain useful logic, the optimization removes the Subsystem after HDL code generation. This optimization does not generate HDL code for the Enabled Subsystem, which reduces the code size and avoids potential synthesis failures with downstream tools when you deploy the generate code onto a target platform. This optimization works with both fixed-point and floating-point data types.

To learn about these enhancements, see the **Removing Subsystems** section in Dead Code Elimination.

Streaming operation modes of Multiply-Accumulate block

You can now use a streaming mode of operation for the Multiply-Accumulate block. Previously, the code generator supported the vector mode of operation. In R2018b, the code generator supports this mode as the default and provides two streaming modes. To specify when to start and stop the accumulation, and when the block output is valid, use the streaming mode control signals.

To use the streaming modes, in the Block Parameters dialog box of the Multiply-Accumulate block, for **Operation Mode**, specify either Streaming - using Start and End ports or Streaming - using Number of Samples.

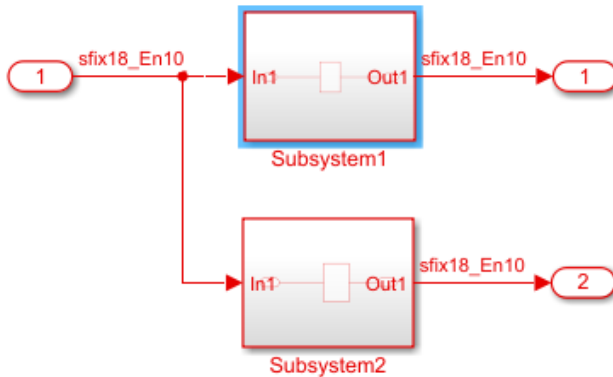
To learn more, see Multiply-Accumulate.

Different output latencies for designs with clock-rate pipelining enabled at output ports

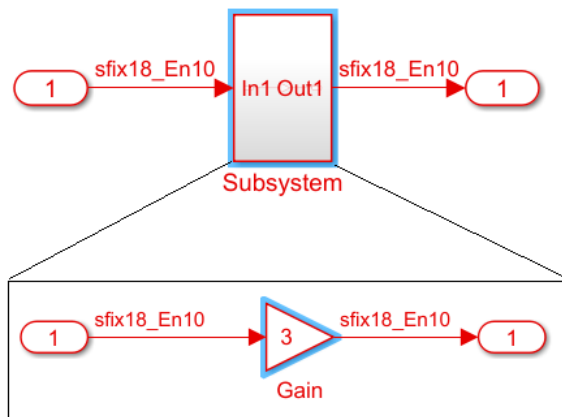
Previously, when you enabled the **Allow clock-rate pipelining of DUT output ports** setting, the code generator used the same latency for sampling the DUT output ports. When you used this optimization, and if you inserted clock-rate pipelines greater than the

Oversampling factor to any of the output ports, you incurred a simulation mismatch in the validation model.

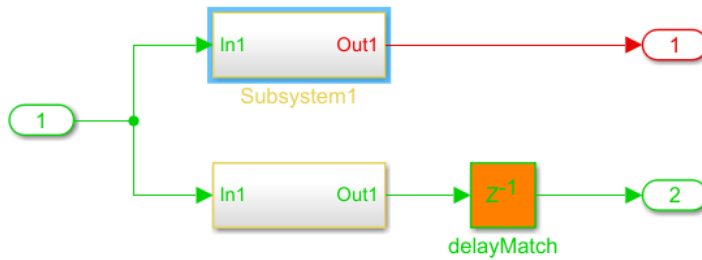
For example, consider this design that has an **Oversampling factor** of 10 and contains two different subsystems with the **ClockRatePipelining** property set to off.



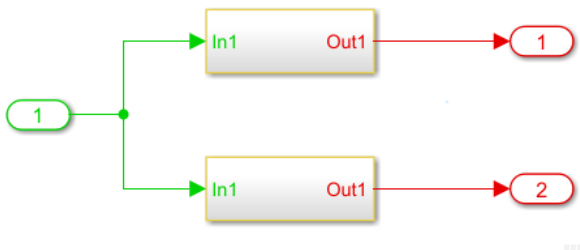
Subsystem1 contains a Subsystem that has a Gain block with the **OutputPipeline** property set to 1 and **ClockRatePipelining** set to on. Subsystem2 contains a Subsystem block that has a Gain block with the **OutputPipeline** property set to 12 and **ClockRatePipelining** set to on.



Previously, if you generated HDL code and the validation model for this design, and then simulated the validation model, you observed a simulation mismatch. This mismatch occurred because delay balancing adds a matching delay, which results in the Gain block with **OutputPipeline** set to 12 using one additional latency.



In R2018b, if you enable the **Allow clock-rate pipelining of DUT output ports** setting, the clock-rate pipelining optimization uses different latencies for sampling the DUT output ports. If you now generate HDL code and the validation model for the design containing the Gain block, delay balancing does not insert additional matching delays, which reduces the latency and avoids the simulation mismatch in the validation model.



IP Core Generation and Hardware Deployment

Xilinx Zynq UltraScale+ MPSoC Targeting: Select from predefined targets and reference designs to generate code for MPSoC devices

In R2018b, you can target Xilinx Zynq UltraScale+™ MPSoC devices, and use the IP Core Generation workflow to:

- 1 Generate an HDL IP core for the MPSoC device.
- 2 Generate the software interface model for the HDL IP core.
- 3 Integrate the HDL IP core into the HDL Coder reference designs or create your own custom reference design and target the Xilinx Zynq UltraScale+ MPSoC device.

For an example, see Getting Started with Hardware-Software Co-Design Workflow for Xilinx Zynq UltraScale+ MPSoC Platform.

Multirate IP Core Generation: Target AXI4-Stream and AXI4 Master interfaces for designs with multiple sample rates

In R2018b, HDL Coder supports the IP Core Generation workflow for designs that have multiple sample rates when you use any of these AXI4 interfaces:

- AXI4-Stream
- AXI4-Stream Video
- AXI4 Master

To use this workflow, ensure that the DUT ports that map to these AXI4 interfaces run at the fastest rate of the design after HDL code generation. For examples of this workflow, see Multirate IP Core Generation.

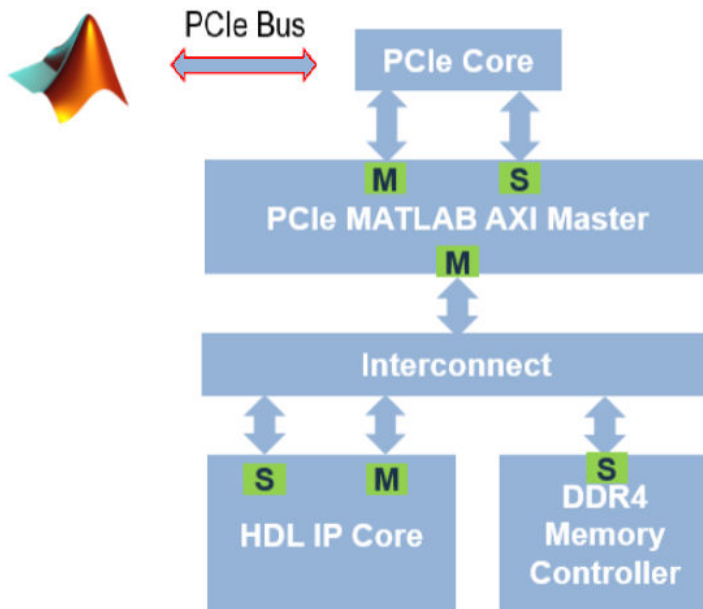
PCIe MATLAB as AXI Master with External DDR4 Memory Access reference design for Intel Arria10 GX FPGA Development kit

You can now specify Intel Arria10 GX FPGA Development kit as the target platform and target a new PCIe MATLAB as AXI Master with External DDR4

Memory Access reference design by using the IP Core Generation workflow. To use this reference design, you must have HDL Verifier installed.

The reference design consists of a PCIe MATLAB AXI Master IP that you can use to access the slave memory locations on board the FPGA from MATLAB. The PCIe MATLAB AXI Master IP connects to an Intel PCIe IP core. Using a PCIe bus, you can send read and write commands from the MATLAB command line to the Intel PCIe IP core, which then communicates to the PCIe MATLAB AXI Master IP. Therefore, you can use the PCIe MATLAB AXI Master IP in the reference design to transfer a large amount of data between MATLAB and the FPGA through a high-speed PCI express interface.

When you target this reference design, the HDL DUT IP core can access the external DDR4 memory by using the AXI4 Master interface. When you run the IP Core Generation workflow, you can map the DUT ports to AXI4 Master interfaces. To learn more, see [Performing Large Matrix Operation on FPGA using External Memory](#).



Timing failure check in Build FPGA Bistream step of IP Core Generation workflow

In R2018b, from your Simulink model, when you run the IP Core Generation workflow, or the Simulink Real-Time FPGA I/O workflow for boards that are based on Xilinx Vivado, if the Vivado or Quartus® tool is unable to meet the design timing, HDL Coder reports a timing failure in the **Build FPGA Bistream** task. Previously, when you ran the **Build FPGA Bistream** task, the task ignored any timing failures and displayed the results as **Passed**. To identify that there was a timing failure, you had to open the project in Vivado or Quartus and navigate to the **Project Summary** information.

In the event of a timing failure, the **Build FPGA Bistream** task:

- Reports a message Timing constraints NOT met!.
- Reports the worst negative slack.
- Replaces the previous bitstream with a new bitstream that has the same name and uses a postfix `_timingfailure.bit` or `_timingfailure.sof` depending on whether you created a project by using Vivado or Quartus.
- Provides a link to the **timing_report**.
- Provides a link to an Article_on_timing_failures.

Support for read back of AXI4 write registers in IP Core Generation workflow

In R2018b, from your Simulink model, when you run the IP Core Generation workflow, or the Simulink Real-Time FPGA I/O workflow for boards that are based on Xilinx Vivado, you can read back the value that is written to the AXI4 slave write registers. HDL Coder supports the read back capability for values of scalar and vector data types that are written to the write registers by using AXI4 or AXI4-Lite interfaces.

To use this capability, in the **Generate RTL Code and IP Core** task, select the **Enable readback on AXI4 slave write registers** check box, and then run this task. This setting is saved on the DUT Subsystem for which you are generating the HDL IP core. To access this setting, in the **HDL Block Properties > Target Specification** tab, select **AXI4RegisterReadback**.

After you run the IP Core Generation workflow and program and connect to the target device, you can read back the value that is written to the registers by using the

AXI4 Slave registers in the Linux console of the ARM processor. If you have HDL Verifier installed, you can use the MATLAB as AXI Master IP to read back the values.

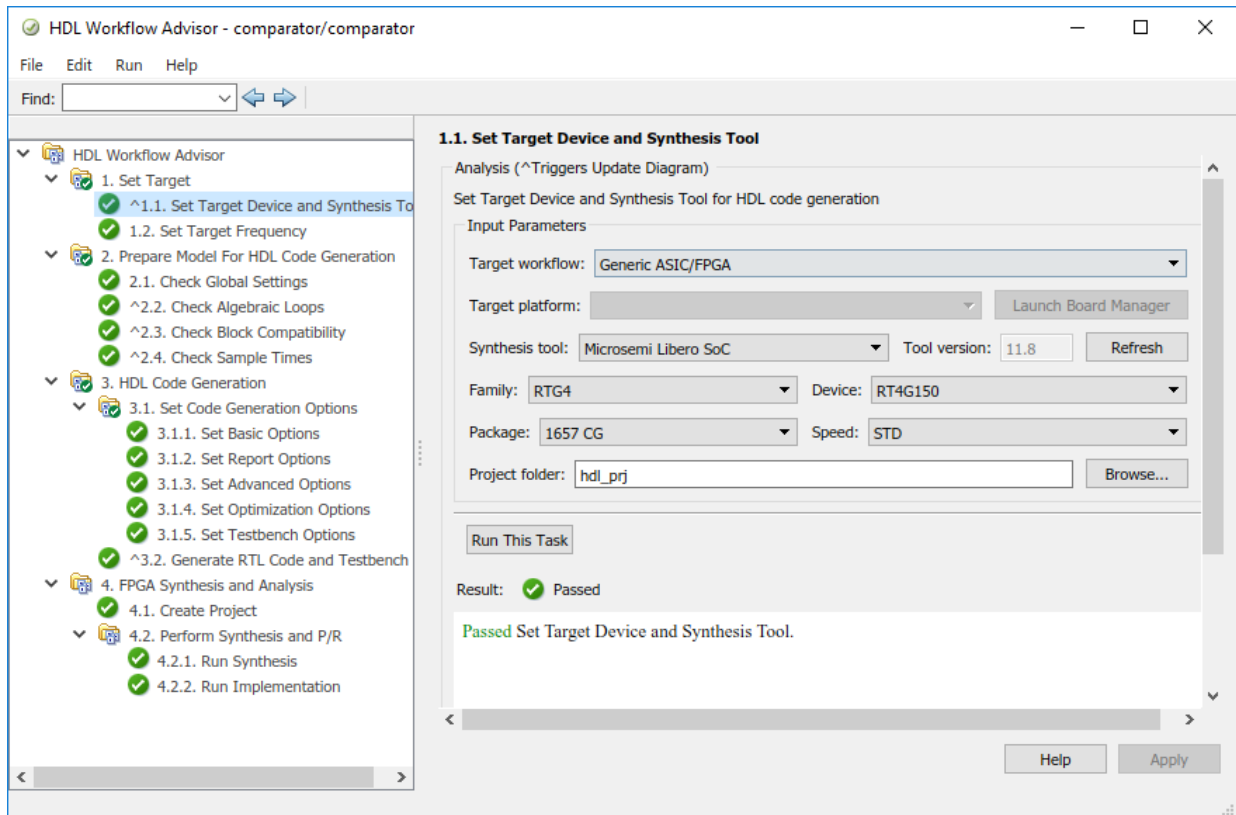
For more information, see Model Design for AXI4 Slave Interface Generation.

Microsemi Libero SoC Targeting: Synthesize and implement generated code on Microsemi FPGAs by using HDL Workflow Advisor

If you specify Microsemi Libero SoC as the Synthesis tool and Generic ASIC/FPGA as the target workflow, you can now synthesize and implement the generated HDL code on Microsemi® FPGA devices.

In R2018b, HDL Coder supports these family of devices:

- RTG4
- SmartFusion2
- IGLOO2



Before you specify Microsemi Libero SoC as the Synthesis tool, set up the tool path by using the `hdlsetuptoolpath` function. Make sure that you have already installed Microsemi Libero® SoC.

```
hdlsetuptoolpath('ToolName', 'Microsemi Libero SoC', 'ToolPath', ...
    'C:\Microsemi\Libero_SoC_v11.8\Designer\bin');
```

See also Tool Setup and Supported Third-Party Tools and Hardware.

Speedgoat IO Modules IO321 and IO321-5 being replaced

HDL Coder no longer supports the Speedgoat IO modules Speedgoat IO321 and its variant Speedgoat IO321-5 that use the Xilinx Virtex-4 FPGA with the Simulink Real-Time FPGA I/O workflow.

Compatibility Considerations

If you load a pre-R2018b model that was saved with the target platform Speedgoat I0321 or Speedgoat I0321-5, and then open the HDL Workflow Advisor, HDL Coder generates a warning. To avoid this warning, when you run the Simulink Real-Time FPGA I/O workflow, use the Speedgoat I0331 or a later Speedgoat board.

See also Supported Third-Party Tools and Hardware and Xilinx HDL Support with Speedgoat IO Modules.

Updates to supported software

HDL Coder has been tested with:

- Xilinx Vivado Design Suite 2017.4
- Intel Quartus Prime Standard Edition 17.1
- Microsemi Libero SoC 11.8

See Supported Third-Party Tools and Hardware.

R2018a

Version: 3.12

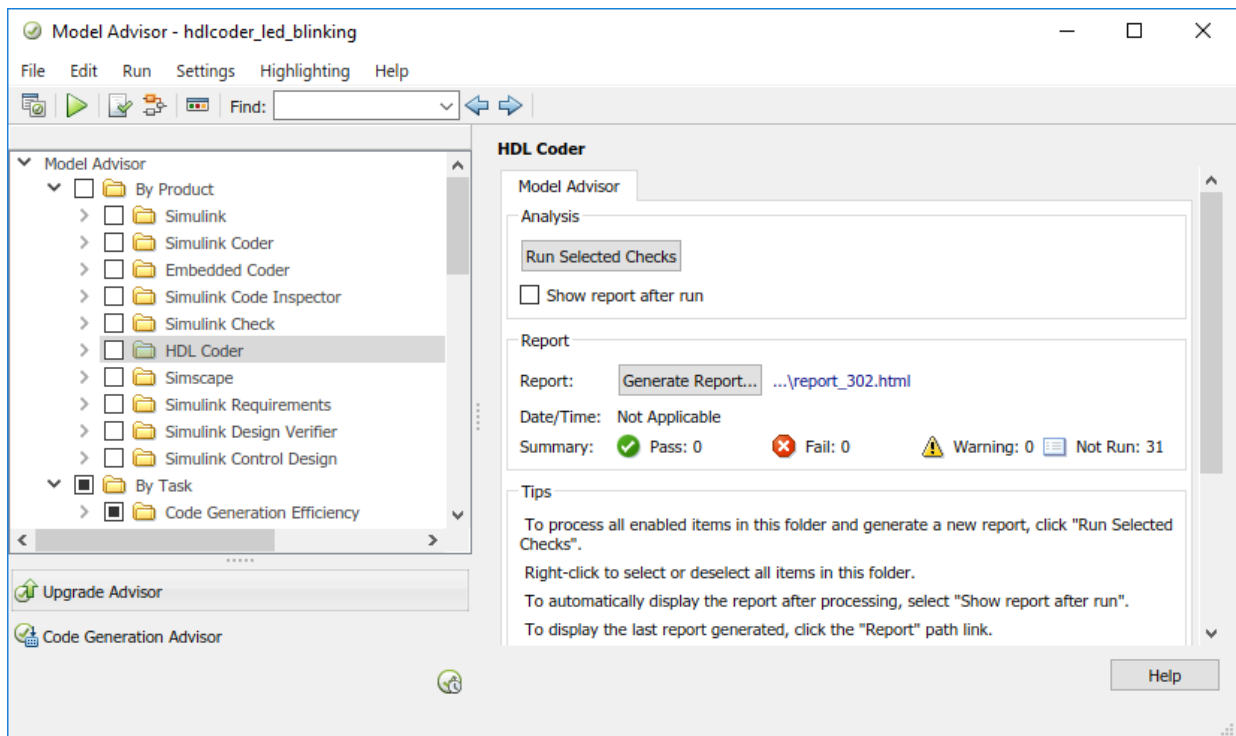
New Features

Compatibility Considerations

Model and Architecture Design

HDL Model Checker integrated with Model Advisor

HDL Coder has now integrated the checks in the HDL Model Checker into the Simulink Model Advisor. When you open the Model Advisor in Simulink, you see the checks in the **HDL Coder** subfolder of the **By Product** folder.



For more information, see Run Model Advisor Checks for HDL Coder.

Updates to model checks in HDL Coder

Checks Added

For native floating-point support, the code generator has added these checks.

- **Check for HDL Reciprocal block usage:** Checks whether your model contains HDL Reciprocal blocks that use floating-point types. This check then recommends replacing these blocks with Math Reciprocal blocks to save area and improve accuracy of your design.
- **Check for Relational Operator block usage:** Checks whether Relational Operator blocks that use floating-point types have Boolean outputs.
- **Check for large matrix operations:** Checks whether your model contains matrix inputs with more than two dimensions or contains large matrix operations that result in a matrix output with more than ten elements.

Checks Updated

The code generator has updated these checks:

- The **Check for infinite sample time sources** has been updated to the **Check for infinite and continuous sample time sources**.
- The **Check for Data Type Conversion blocks with incompatible settings** has been updated to check whether the blocks use the **Stored Integer (SI)** conversion mode while converting between floating-point and fixed-point data types. Previously, this check detected whether the blocks used the **Stored Integer (SI)** conversion mode and whether the **Integer rounding mode** was set to **Nearest**.

For more information, see Model Checks in HDL Coder.

Enhanced Radix-4 algorithm for Divide and Reciprocal blocks in Native Floating Point mode

The code generator now supports a Radix-4 mode for Divide and Reciprocal blocks with single data types in the Native Floating Point mode.

The previous Radix-2 mode, which is currently the default, offers a trade-off between latency and frequency. In R2018a, by using the Radix-4 mode, you can trade-off your design between latency and resource usage.

To learn more, see `DivisionAlgorithm`.

Improved shift-and-add algorithm for exponential and hyperbolic functions in Native Floating Point mode

The code generator now uses an improved shift-and-add algorithm for the exponential and hyperbolic functions in Native Floating Point mode. This algorithm has a smaller ULP error of 1, uses less resources on the target device, and achieves a higher clock frequency maximum with less latency.

The improved shift-and-add algorithm supplements the previous shift-and-add algorithm with the Taylor polynomial approximation when the absolute error is small. This algorithm reduces the number of iterations of shift-and-add operations that are required to achieve the desired accuracy.

To see the latency and ULP of floating-point operators:

- ULP of Native Floating-Point Operators
- Minimum and Maximum Latency of Floating Point Operators

HDL code generation support for all rounding modes of Data Type Conversion block in Native Floating Point mode

The code generator now supports all **Integer rounding mode** options for the Data Type Conversion block with single data types in Native Floating Point mode. Using the various supported rounding modes, you can easily convert between single and fixed-point data types in your design and use the same block settings for the blocks in floating-point and fixed-point domains.

Previously, the code generator supported the **Nearest** rounding mode for floating-point operations. If you used other rounding modes, you ran the **Check for Data Type Conversion blocks with incompatible settings** in the HDL Model Checker to convert the rounding mode to **Nearest**.

Floating-point control for Multiport Switch and Selector blocks

The code generator now supports single-precision floating-point data types as control input to the Multiport Switch and Selector blocks in the Native Floating Point mode.

Block Enhancements

Matrix Support: Generate HDL code directly from two-dimensional matrix data types and operations

In R2018a, you can use two-dimensional `matrix` data types and operations in your Simulink model for HDL code generation. With HDL Coder support, you can:

Model complicated math operations by using `Matrix` types easily.

- Use `matrix` types with all supported data types that include fixed-point, single-precision native floating-point, complex, and bus types.
- Use `matrix` types with all optimizations, particularly resource sharing.
- Generate HDL code, verify the generated code, and deploy the code onto a target platform when you use `matrix` data types for a subset of Simulink blocks in your model.

To learn about the block subset and how to use matrix types, see Signal and Data Type Support. See also Matrix Multiply.

Additional blocks and block modes supported for HDL code generation

HDL Coder now supports these blocks and block modes:

- `PartMultiplierPartAddShift` mode of mantissa multiplication for the `sin` and `cos` **Function** modes of the Trigonometric Function block. You can specify this mode by using the **Mantissa multiply strategy** setting in the Configuration Parameters dialog box or in the **Native Floating Point** tab of the HDL Block Properties for the `sin` and `cos` functions.
- Denormal handling support for the Gain block by power of two.
- External reset port with mode set to `none`, `rising`, or `falling` for the Discrete-Time Integrator block with fixed-point and single data types.

Bit-Natural FFT Output: Directly access the bit-natural output from the frame-based FFT/IFFT (Requires DSP System Toolbox)

You can now select bit-natural output order, with any input order, when using the frame-based mode of the HDL-optimized FFT and IFFT. Before R2018a, input and output data had to be in opposite order. The order of the input and output data are no longer restricted for these blocks and System objects:

- FFT HDL Optimized
- IFFT HDL Optimized
- `dsp.HDLFFT`
- `dsp.HDLIFFT`

Compatibility Considerations

Before R2018a, the output order of the Channelizer HDL Optimized block was bit-reversed when you set **Output vector size** to `Same as input size`. The output order is now bit-natural for both output sizes. This change also affects the `dsp.HDLChannelizer` System object.

LTE OFDM demodulation and Gold sequence generation blocks (Requires LTE HDL Toolbox)

LTE HDL Toolbox introduces two new HDL-supported blocks for LTE system design:

- Gold Sequence Generator — Generate LTE-standard Gold sequences for channel estimation and descrambling.
- OFDM Demodulator — Demodulate orthogonal frequency-division multiplexing symbols according to the LTE standard.

Additional pipelining of HDL-optimized Complex to Magnitude-Angle (Requires DSP System Toolbox)

To improve synthesized clock frequency and make better use of DSP blocks on FPGAs, the Complex to Magnitude-Angle HDL Optimized block has additional pipelining. This change also affects the `dsp.HDLComplexToMagnitudeAngle` System object.

Compatibility Considerations

The latency of the block and System object is three cycles longer than in previous releases. You must adjust the delay balancing of parallel data paths. The latency is displayed on the block.

5G filtered-OFDM modulation reference application (Requires LTE HDL Toolbox)

This example implements an F-OFDM transmitter suitable for 5G transmitter designs and verifies the design by using the 5G Library for LTE System Toolbox[®]. The example supports HDL code generation. It shows how to convert from double to fixed-point types and how to minimize the resource use of the design on an FPGA.

Code Generation and Verification

Line-Level Traceability: Navigate directly between Simulink blocks and corresponding lines of generated HDL code

In R2018a, when you generate the traceability report with the HDL code, the code generator provides line-level control of model-to-code and code-to-model traceability.

Previously, code-to-model and model-to-code navigation depended on block comments in the generated HDL code. In R2018a, HDL Coder does not generate block comments and provides more precise code-to-model and model-to-code traceability to lines of HDL code instead of comments. Using the report, you can now easily navigate between the blocks in your Simulink model and the generated HDL code.

For more information, see [Navigate Between Simulink Model and HDL Code by Using Traceability](#).

Microsemi FPGA Support: Specify Microsemi Libero SoC as Synthesis Tool and generate HDL code

The code generator now supports Microsemi Libero SoC as a **Synthesis Tool** that you can specify in the **HDL Code Generation > Target and Optimizations** pane of the Configuration Parameters dialog box. When you use the **Native Floating Point** support in HDL Coder and generate code, the default **Auto** mode for the **Mantissa Multiply Strategy** setting maps your design efficiently to the multiply-accumulate (MAC) units on the Microsemi Libero FPGAs.

To specify Microsemi Libero SoC as a **Synthesis Tool** in the HDL Workflow Advisor, set up the path to your **Synthesis Tool** by using the `hdlsetuptoolpath` function. After you specify the tool, you can:

- Generate HDL code and verify with HDL cosimulation when you run the **Generic ASIC/FPGA** workflow.
- Run the **FPGA-in-the-Loop** workflow for your target device.

Concise summary of synthesis results displayed in HDL Workflow Advisor

The HDL Workflow Advisor now displays more concise information about the area usage and timing of your design. For additional information, the Advisor provides easily navigable links to the relevant synthesis files.

To obtain the concise report, in the **Set Target Device and Synthesis Tool** task, **Synthesis Tool** must be Xilinx Vivado or Altera Quartus II, and **Target workflow** must be Generic ASIC/FPGA.

For example, this figure shows the resource report when you run the **Perform Mapping** task in the HDL Workflow Advisor.

Passed Mapping.

Parsed resource summary file: [FOC_Current_Control_quartus.map.rpt](#)

Resource summary	
Resource	Usage
Combinational ALUTs	13405
Dedicated logic registers	48246
DSP block 18-bit elements	108

Parsed timing summary file: [FOC_Current_Control_preroute.tqr](#)

Timing summary	
	Value (ns)
Data Delay	3.584
Slack	-2.657
Timing constraints	not met

Task "Perform Mapping" successful.

Generated logfile: [hdl_pri\hdlsrc\hdlcoderFocCurrentFloatHdl\workflow_task_PerformMappin](#)
Info: *****

New Code Generation Report: View more information and navigate through code generation results more easily

In R2018a, the code generation report has a new user interface, more information, and improved navigation.

The screenshot shows the MATLAB HDL Coder interface. The top toolbar includes buttons for Back, Forward, Find, Trace Code, Edit In MATLAB, and Package Code. The left sidebar shows the MATLAB SOURCE tree with 'mlhdlc_sfir.m' and its sub-component 'fx mlhdlc_sfir'. Below that, the GENERATED CODE tree shows 'Generated HDL Files' and 'mlhdlc_sfir.vhd'. The main editor window displays the VHDL code for 'mlhdlc_sfir.vhd' with syntax highlighting. The code is as follows:

```

38 LIBRARY IEEE;
39 USE IEEE.std_logic_1164.ALL;
40 USE IEEE.numeric_std.ALL;
41
42 ENTITY mlhdlc_sfir IS
43   PORT( clk           : IN   std_logic;
44         reset        : IN   std_logic;
45         clk_enable   : IN   std_logic;
46         x_in         : IN   real; -- double
47         h_in1        : IN   real; -- double
48         h_in2        : IN   real; -- double
49         h_in3        : IN   real; -- double
50         h_in4        : IN   real; -- double
51         ce_out       : OUT  std_logic;
52         y_out        : OUT  real; -- double
53         delayed_xout : OUT  real -- double
54         );
55 END mlhdlc_sfir;
56
57

```

Below the code editor, the SUMMARY panel shows the following information:

- Code generation successful**
- Generated on: 02-Nov-2017 15:41:59
- Build type:
- Output file: C:\Users\ggnanase\AppData\Local\Temp\mlhdlc_sfir\codegen\mlhdlc_sfir\hdlsrc
- Processor: Generic->MATLAB Host Computer
- Version: HDL Coder 3.11 (R2018a Prerelease), MATLAB Coder 4.0 (R2018a Prerelease)
- Notices: -
- Details: [Entry Points](#) | [Settings](#)
- Reports: [Conformance Report](#) | [Resource Report](#)

You can now:

- View the HDL code with syntax highlighting.

- Find more information on the **Summary** tab, including code generation settings, entry points, and links to the Conformance Report, Resource Report, and Compliance Report.
- Navigate from the MATLAB code to context-sensitive information. For example, if you double-click a variable in the MATLAB code, you see the variable in the **Variables** tab.

In R2018a, the report is located in the same folder as in previous releases, but has a different file format. In previous releases, the report was saved with an HTML format and consisted of many files. In R2018a, the report is saved as one file with an `.mldatx` file extension.

For more information, see Code Generation Reports.

Compatibility Considerations

If you generate a report in R2018a, you cannot open it in a previous release. In R2018a, you can open reports that you generated in a previous release, but they look and behave as they did in that previous release.

Speed and Area Optimizations

Critical Path Estimation with Native Floating Point: Report critical path for designs with single-precision floating-point operations

You can now estimate the critical path of your single-precision floating-point designs in Simulink without running synthesis. Use critical path estimation to improve timing by quickly iterating through finding and pipelining the critical path in your design.

For more information, see [Critical Path Estimation Without Running Synthesis](#).

Simplification of constant operations and other optimizations for fixed-point and floating-point arithmetic operations

The code generator now evaluates components whose inputs are constants and substitutes the components with other simplified components by propagating the constant value. This optimization avoids redundant computations during simulation and improves area and timing on the target device.

By creating modeling patterns that use a combination of these optimizations, you can significantly improve the performance of your design on the target hardware.

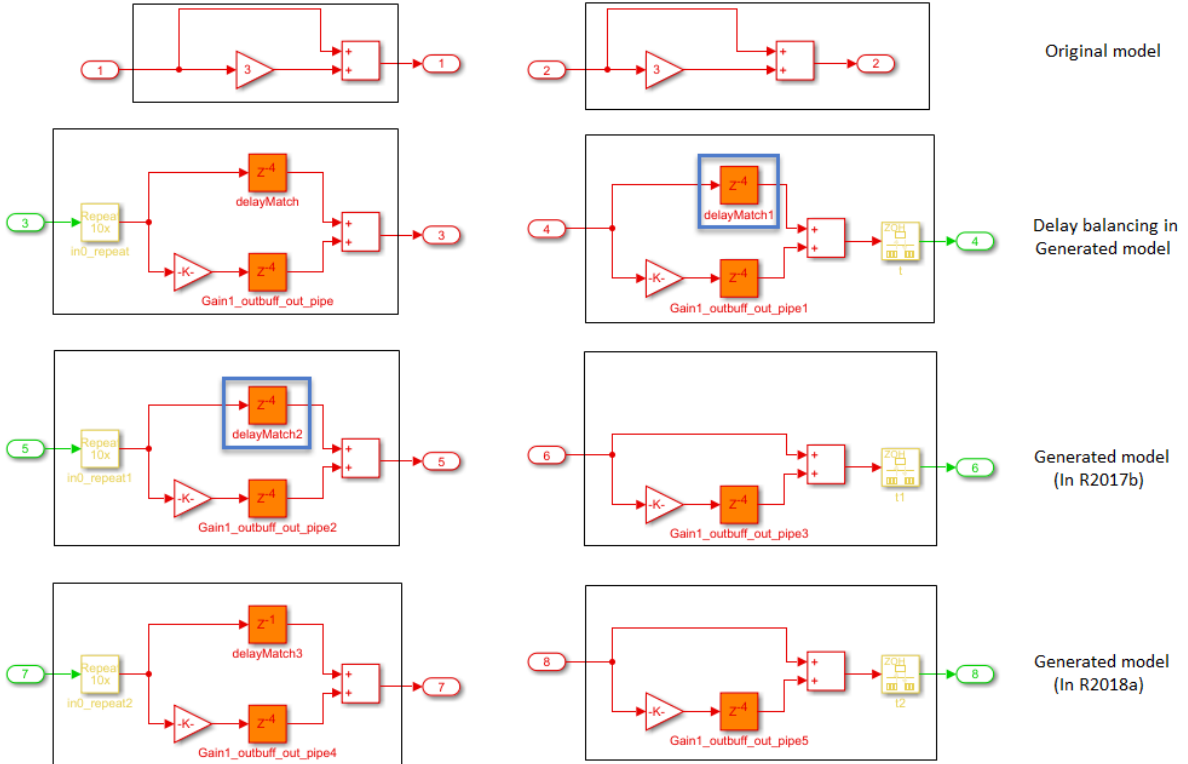
For more information, see [Constant Folding and Peephole Optimizations in HDL Coder](#).

Improvement to reduction of matching delays in clock-rate pipelining regions across hierarchical boundaries

Clock-rate pipelining can introduce a latency in parts of your design that are combinational. The algorithm that the code generator uses attempts to minimize the delays within a clock-rate pipelining region. In R2018a, the code generator can reduce the delays further within a clock-rate pipelining region while preserving the hierarchy of the subsystems in your model.

For example, consider this Simulink model that has back-to-back subsystems inside a feedback loop. Each Subsystem contains a Gain block and an Add block. When you specify an **Oversampling factor** and generate code without flattening the subsystem hierarchy, HDL Coder introduces matching delays to balance the clock-rate pipelines. In R2017b,

the code generator reduces the matching delays in the clock-rate pipelining region at the output Subsystem. In R2018a, the code generator can further reduce the latency by traversing the path to identify matching delays in other Subsystem blocks that can be reduced.



See also Clock-Rate Pipelining.

MaxOversampling and MaxComputationLatency parameters being removed

The MaxOversampling and MaxComputationLatency parameters are being removed. Replace these parameters with **Oversampling factor** and use **Oversampling factor** in conjunction with clock-rate pipelining.

Compatibility Considerations

In R2018a, if you load a pre-R2018a model that has the MaxOversampling or MaxComputationLatency parameters saved on the model and then generate code, HDL Coder generates a warning and ignores the parameter values during code generation. To avoid this warning, use `hdlset_param` to set MaxOversampling and MaxComputationLatency to their default values of Inf and 1 respectively. Specify the **Oversampling factor**, enable **Clock-rate pipelining**, and then generate HDL code.

See also Optimization with Constrained Overclocking.

IP Core Generation and Hardware Deployment

AXI4-Stream for Intel FPGA: Generate IP cores with the AXI4-Stream interface targeting Intel FPGAs

You can now use the IP Core Generation workflow to generate an HDL IP core with AXI4-Stream interface for targeting Intel FPGAs. Using the AXI4-Stream interface, you can:

- Connect to other IP cores that have AXI4-Stream interface.
- Target high-speed signal processing and video processing applications on Intel FPGAs.

To learn how to model your design, see [Model Design for AXI4-Stream Interface Generation](#).

To generate an IP core with AXI4-Stream interface for Intel devices using the HDL Workflow Advisor:

- 1 In the **Set Target Device and Synthesis Tool** task, specify IP Core Generation as the **Target workflow** and Generic Altera Platform as the **Target platform**.
- 2 In the **Set Target Interface** task, you can assign ports to AXI4-Stream master and slave interfaces in the **Target platform interface table**. Run the workflow to generate the IP core.

You can integrate the generated IP core into your own custom Intel reference design. To learn more, see [Define and Register Custom Board and Reference Design for Zynq Workflow](#).

Intel SoC Reference Design: Target the Intel Arria 10 SoC Development Kit with DDR4 external memory access

You can use a new Default system with External DDR4 Memory Access reference design when you specify Altera Arria10 SoC development kit as the target platform. To use this reference design, you must have HDL Verifier and the HDL Coder Support Package for Intel SoC Devices.

When you use this reference design, you can access the DDR4 external memory on the Arria® 10 SoC development kit with AXI4 Master interface. Using AXI4 Master interface, you can also create custom reference designs for other Intel FPGAs and Intel SoCs for external memory access.

For more information, see Default System with External DDR4 Memory Access Reference Design.

Simulink test point port mapping in IP Core Generation and Simulink Real-Time FPGA I/O workflows

The code generator now supports test point ports in **IP Core Generation** and **Simulink Real-Time FPGA I/O** workflows that use Xilinx Vivado and Intel Quartus Prime as the synthesis tools.

When you enable DUT output port generation for test point signals in the HDL code and use the **IP Core Generation** workflow infrastructure, you can map the test point ports to AXI4, AXI4-Lite, or External Port interfaces in the **Target platform interface table**. The code generator stores this interface mapping information for the test point ports on the DUT that you can reload across subsequent runs of the workflow.

When you run the **IP Core Generation** workflow and generate the software interface model, you see the test point output port connected to a commented out Scope block for observing and debugging the signals.

To learn more, see Model and Debug Test Point Signals with HDL Coder™.

Audio Reference Design Example on ZYBO Board: Create custom reference design to run audio algorithm on ZYBO board

This HDL Coder example extends the audio reference design example on the ZedBoard™ to the ZYBO™ board. Using this example, you can learn how to create a custom reference design that receives audio input from the ZYBO board, processes the input signal, and transmits the processed audio output.

IP Core Generation of I2C Master Controller Example: Generate IP core for Stateflow-Based I2C Master Controller to configure Audio Codec chip

Using this HDL Coder example, you can learn how to model a generic I2C Master Controller in Simulink by using Stateflow blocks. Use the Master Controller to model an I2C Controller that can configure the Audio Codec chip. Then, run the **IP Core**

Generation workflow to generate an HDL IP core for the I2C Controller. You can use the generated I2C Controller IP core in your custom reference design.

Ethernet programming method being removed

The Ethernet programming method is being removed. Use the Download method to program your target device.

Compatibility Considerations

In R2018a, if you run an HDL Workflow script that uses Ethernet as the programming method, HDL Coder generates an error. If you use Ethernet as the programming method and export the Workflow Advisor settings to a script, you see this code snippet in your script:

```
hWC.ProgrammingMethod = hdlcoder.ProgrammingMethod.Ethernet
```

To avoid this error, in your script, change the programming method to Download. Then, run the script.

```
hWC.ProgrammingMethod = hdlcoder.ProgrammingMethod.Download
```

You can also use JTAG and Custom as the programming methods.

For more information, see Program Target FPGA Boards or SoC Devices.

Updates to supported software

HDL Coder has been tested with:

- Xilinx Vivado Design Suite 2017.2
- Intel Quartus Prime 17.0

See Supported Third-Party Tools and Hardware.

R2017b

Version: 3.11

New Features

Bug Fixes

Model and Architecture Design

Model Advisor Checks: Check and update your Simulink model for HDL code generation compatibility

With the Model Advisor support in HDL Coder, you can now check and update your Simulink model or subsystem for compatibility with HDL code generation. The Model Advisor checks for model configuration settings, subsystems and block settings, support with native floating point, and conformance to industry standard rules.

You can run all the checks, a certain group of checks, or individual checks in the Model Advisor. To fix warnings or failures that are reported by the checks, use the Model Advisor recommended settings. To open the Model Advisor checks for HDL Coder at the command line, use the `hdlmodelchecker` function.

For more information, see:

- Getting Started with the HDL Model Checker
- Checks In the HDL Model Checker

Simulink Test Points in HDL: Debug internal signals by automatically routing the signals to top-level HDL ports

Test points are signals that you can use to easily debug and observe the simulation results at various points in your Simulink model. In R2017b, with the HDL code generation support for test points, you can now generate code for these signals and further debug the generated code in downstream workflows. See also Test Points (Simulink).

To see the test point signals in the generated HDL code:

- From the UI, in the Configuration Parameters dialog box, select Enable HDL DUT port generation for test points.
- At the command line, specify `EnableTestpoints` with `hdlset_param` or `makehdl`.

When you generate HDL code, the code generator creates an output port for the test point signal, and then propagates the signal to the DUT as an additional output port. This capability makes debugging your design easier because the code generator can propagate signals marked as test points deep within your Subsystem hierarchy to the DUT output ports.

For an example, see Model and Debug Test Point Signals with HDL Coder™.

Floating-point Support for Simulink Real-Time FPGA I/O: Generate single-precision floating point HDL for communication over the Simulink Real-Time PCIe Interface

When you use the Simulink Real-Time FPGA I/O workflow, you can have Single data type signals at the subsystem DUT ports and map the signals to PCIe or PCI Interfaces in the **Target platform interface table**. To map Single data type signals to PCIe interfaces, in the Configuration Parameters dialog box, on the **HDL Code Generation > Global Settings > Floating Point Target** tab, set the **Floating Point Library** to Native Floating Point.

Additional single-precision floating-point operators and block support

HDL Coder now supports these blocks with native floating point:

- Direct Lookup Table (n-D)
- HDL Reciprocal
- Comprehensively supports all **Function** modes of Math Function block.
- Supports all **Function** modes of Trigonometric Function block except `asinh`, `acosh`, and `atanh`.
- Float Typecast

The code generator now supports these block modes:

- Switch block where **Criteria for passing first input** can be `u2 > Threshold`, `u2 >= Threshold`, or `u2 ~= 0`. Previously, to generate HDL code in native floating-point mode, you had to use `u2 ~= 0` as the **Criteria for passing first input**.
- Relational Operator block where **Relational Operator** parameter when you input single data type signals can be `isInf`, `isNaN`, or `isFinite`. The modes check and output true for `inf` or `-inf`, `nan`, and so on.

See Also Simulink Blocks Supported with Native Floating-Point.

Improvements to native floating-point operators and algorithms

In R2017b, HDL Coder provides optimized algorithms for these blocks or operators in the native floating-point mode.

- When you use an Add or Subtract block, the implementation is now more optimal and uses fewer resources. The reduction in area usage on the target device is due to the block implementation using a simpler logic to handle `inf` and `nan` inputs and performing the addition or subtraction of the input mantissas using two 28-bit adders instead of one 48-bit adder.
- If you use a Data Type Conversion block that converts from `Single` to a `boolean` data type, the generated model uses Bit Slice blocks to extract the exponent and mantissa, and then compares the result with zero. When you convert from `ufix1` to a `Single` data type, the generated model uses a Switch block. These block implementations are more optimal and use fewer hardware resources.
- If you use a Gain block with **Gain** parameter set to 1, the generated model uses a wire to pass the input to the output. For a **Gain** parameter of -1, the generated model shows a Unary Minus block that inverts the polarity of the input signal. These block optimizations use zero latency and reduces the resource usage on the target platform.

Input Range Reduction setting for Trigonometric Function blocks in native floating-point mode

If you have `Single` data type inputs to the Trigonometric Function block, you can use the `InputRangeReduction` setting in the **Native Floating Point** tab.

By default, this setting is enabled for the block, and it assumes that your input range is unbounded. If your input to the block is bounded in the range $[-\pi, \pi]$, your design does not require the logic to reduce the input range. In that case, you can disable this setting, and the block implementation incurs a lower latency and uses fewer resources on the target device.

Block-level latency customization for Discrete Transfer Function and Discrete Time Integrator blocks with native floating-point

For the Discrete Transfer Fcn and Discrete-Time Integrator blocks, you can now specify native floating point settings at the block level which includes HandleDenormals, LatencyStrategy, and MantissaMultiplyStrategy settings.

Block Enhancements

Minimum Resource FFT/IFFT: Reduce resource usage with the Burst Radix 2 architecture of the HDL-Optimized FFT (requires DSP System Toolbox)

You can now choose a minimum resource architecture for the HDL-optimized FFT blocks and System objects. To use this feature, select the `Burst Radix 2` architecture in these blocks and System objects:

- FFT HDL Optimized
- IFFT HDL Optimized
- `dsp.HDLFFT`
- `dsp.HDLIFFT`

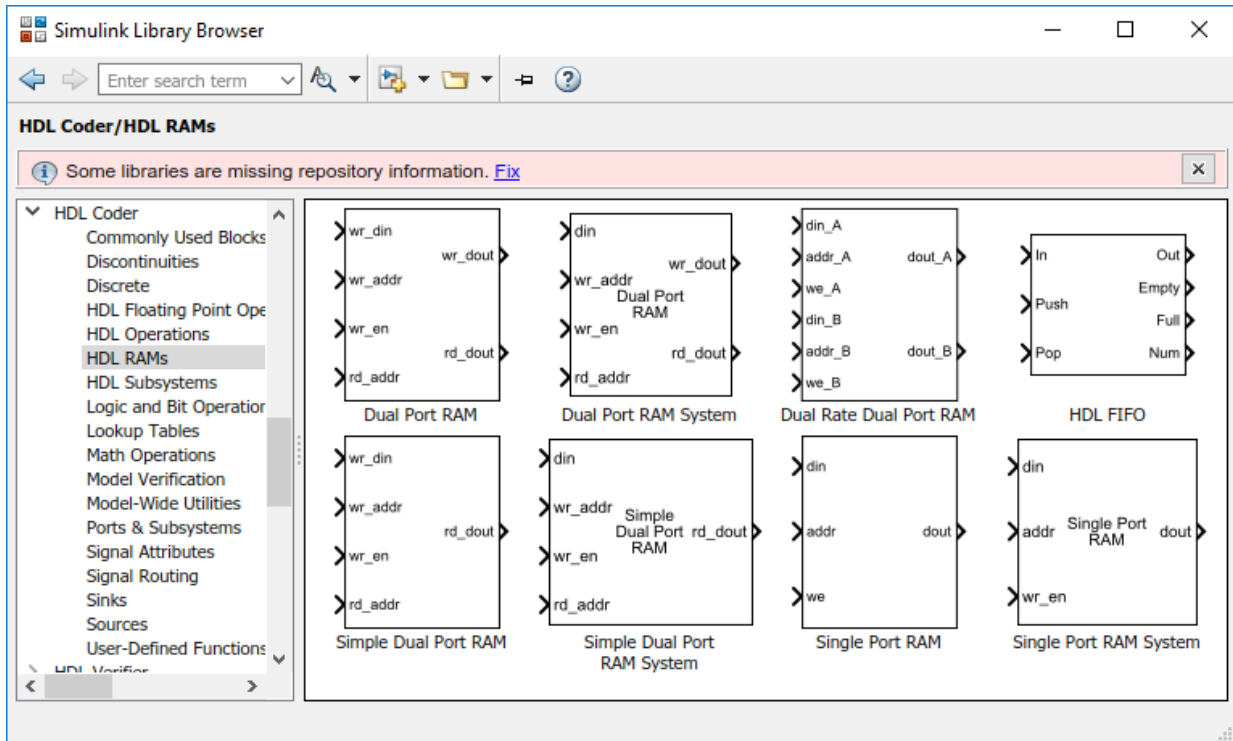
Support for scalar addressing mode with vector data input to `hdl.RAM` System Object

You can now use a scalar address mode with vector data input to the `hdl.RAM` System Object. With a vector data input, the write enable and address inputs can be scalar, and the system object applies the same operation to each RAM bank.

Previously, the inputs to the system object had to be all scalars or all vectors.

New HDL RAMs Block Library and `hdl.RAM` System Object based blocks

The HDL Coder block library in Simulink now has an HDL RAMs block library that consists of all RAM blocks and new MATLAB System blocks that are based on the `hdl.RAM` System object. These blocks are the Dual Port RAM System, Simple Dual Port RAM System, and Single Port RAM System. Previously, all RAM blocks were part of the HDL Operations block library.



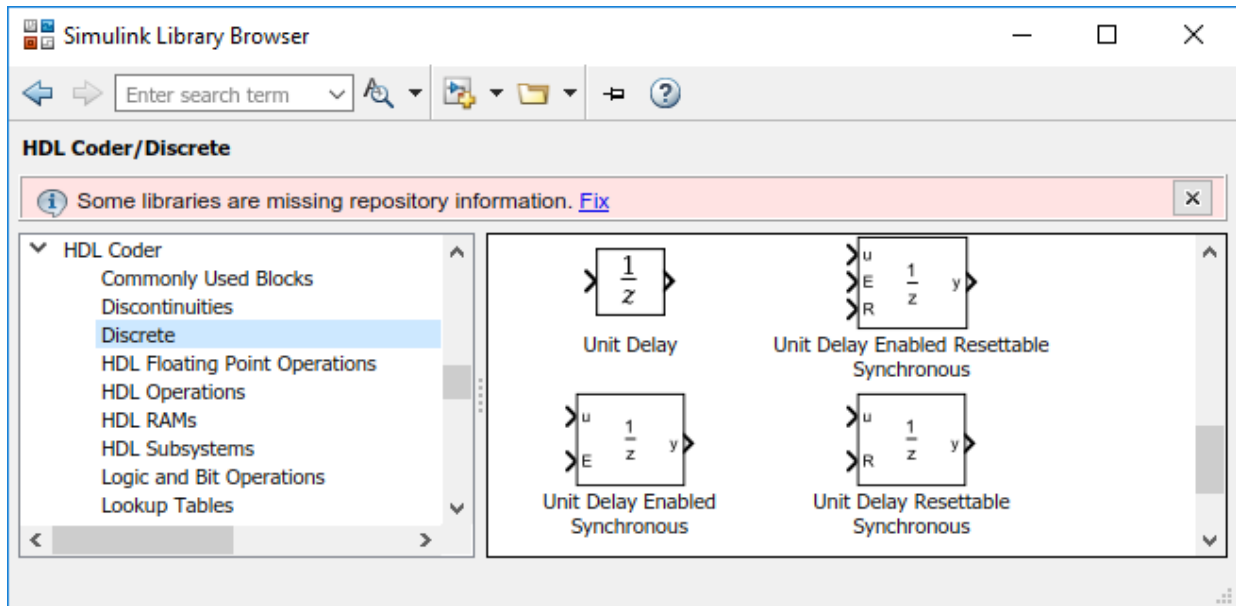
With the `hdl.RAM System` Object based blocks, you can:

- Specify an initial value for the RAM. Double-click the block to open the Block Parameters dialog box, and then enter a value for **Specify the RAM initial value**.
- Obtain faster simulation results when you use these blocks in your Simulink model.
- Create parallel RAM banks when you use vector data by leveraging the `hdl.RAM System` object functionality.
- Obtain higher performance and support for large data memories.

Synchronous versions of Unit Delay blocks with reset and enable ports in Discrete block library

In R2017b, the code generator introduces synchronous versions of the Unit Delay block with reset and enable ports in the Discrete block library in the HDL Coder library. The

blocks correspond to Unit Delay Enabled Synchronous, Unit Delay Resettable Synchronous, and Unit Delay Enabled Resettable Synchronous.



The blocks use the Enabled Delay, Resettable Delay, and the Enabled Resettable Delay block with a **Delay length** of 1 in combination with the State Control block in **Synchronous** mode. The synchronous behavior of the State Control block generates cleaner HDL code and uses fewer hardware resources.

Bilateral filter, bird's-eye-view transform, and line buffer for vision applications

Vision HDL Toolbox introduces three blocks that support HDL code generation for streaming video processing designs:

- Bilateral Filter — Perform Gaussian filtering with edge preservation
- Birds-Eye View— Transform forward-facing video to a top-down perspective
- Line Buffer — Store a sliding window of pixels as part of developing custom filter algorithms

HDL code generation support for Bus Element port blocks

In R2017b, you can generate HDL code for Simulink models that use the In Bus Element and Out Bus Element blocks. These bus element port blocks provide a simple and flexible way to use bus signals as inputs and outputs to subsystems.

See also Simplify Subsystem Bus Interfaces (Simulink).

One-hot and two-hot encoding schemes for enumeration types

You can now use one-hot, two-hot, and binary encoding schemes to represent enumerated types in the generated HDL code. By default, the code generator uses a decimal encoding in Verilog and VHDL-native enumerated types in VHDL. To choose a different encoding scheme:

- From the UI, open the Configuration Parameters dialog box, and in the **HDL Code Generation** **Global Settings** **Coding Style** tab, specify **Enumerated Type Encoding Scheme**.

At the command line, use EnumEncodingScheme.

This table shows the generated Verilog code from various encoding schemes for a Stateflow Chart that has four states.

Encoding Schemes

Default	Binary	One-Hot	Two-Hot
parameter is_Chart_IN_s_idle = 2'd0, is_Chart_IN_s_rx = 2'd1, is_Chart_IN_s_wait_0 = 2'd2, is_Chart_IN_s_wait_tb = 2'd3	parameter is_Chart_IN_s_idle = 2'b00, is_Chart_IN_s_rx = 2'b01, is_Chart_IN_s_wait_0 = 2'b10, is_Chart_IN_s_wait_tb = 2'b11	parameter is_Chart_IN_s_idle = 4'b0001, is_Chart_IN_s_rx = 4'b0010, is_Chart_IN_s_wait_0 = 4'b0100, is_Chart_IN_s_wait_tb = 4'b1000	parameter is_Chart_IN_s_idle = 4'b0001, is_Chart_IN_s_rx = 4'b0010, is_Chart_IN_s_wait_0 = 4'b0100, is_Chart_IN_s_wait_tb = 4'b1000

Custom header and footer comments in generated HDL code

In R2017b, you can specify custom header and footer comments for the generated HDL code. Using these custom comments, you can create templates for the header and footer comments that you can reuse across multiple designs. For example, you can specify arguments such as title, author, modified date, and so on.

```
// =====  
// Title           : <%Title%>  
// Project         : <%Project%>  
// Author          : <%Author%>  
//  
// Revision        : $Revision$  
// Date Modified   : $Date$  
// =====
```

- From the UI, open the Configuration Parameters dialog box, and in the **HDL Code Generation > Global Settings > Coding Style** tab, specify **File Comment Customization** and **Custom File Header Comment**.

At the command line, use CustomFileFooterComment and CustomFileHeaderComment.

Code Generation and Verification

Changes to HDL Code Generation Panel in Configuration Parameters Dialog Box

Parameters Added

- Enable HDL DUT port generation for test points in the **Global Settings > Ports** tab
- In the **Global Settings > Coding style** tab:
 - Enumerated Type Encoding Scheme
 - Custom File Header Comment
 - Custom File Footer Comment
- Enable-based constraints in the **Target and Optimizations > General** tab
- Check for presence of reals in generated HDL code in the **Global Settings > Diagnostics** tab

Parameters Moved

- These parameters moved from the **Target and Optimizations > General** tab to the **Global Settings > Coding Style** tab:
 - Optimize timing controller check box
 - Timing controller architecture
- The Generate multicycle path information check box in the **EDA Tool Scripts** tab moved to the **Target and Optimizations > General** tab and is now called **Register-to-register path info**.

Speed and Area Optimizations

Vector Input Multiply-Accumulate (MAC) Block: Map arithmetic operations efficiently to FPGA DSP slices

The code generator now supports a Multiply-Accumulate block that performs a multiply-accumulate operation on the input vectors and efficiently maps the generated HDL code to DSP units on the target FPGA device. Using the block, you can:

- Perform matrix multiplication operations. For example, if you have two matrix inputs with dimensions N -by- M and M -by- P , you can compute the result by using N -by- P multiply-accumulate operations in parallel. By combining these operations with optimizations such as resource sharing and streaming, you can improve the hardware performance by efficiently mapping the generated HDL code to DSP units on the FPGA.
- Replace a sequence of multiplication and addition operations, such as in filter blocks, and improve the performance on hardware by mapping to DSP slices on the FPGA.

The Multiply-Accumulate block is available in the **HDL Operations** sublibrary in the HDL Coder block library. The block has **Auto**, **Parallel**, and **Serial HDL Architecture** implementations that you can choose from.

Hierarchical Clock Rate Pipelining: Apply clock rate pipelining across hierarchical boundaries

You can now use clock rate pipelining more widely across subsystem boundaries without having to flatten the hierarchy. Preserving the subsystem hierarchy:

- Improves the modularity of your design and makes navigation through the generated model easier especially in large designs with complex hierarchies.
- Improves readability of the generated HDL code by creating multiple Verilog or VHDL files for the various Subsystem blocks in your design.

To use this optimization, disable **FlattenHierarchy** on the top-level DUT Subsystem. See also Clock-Rate Pipelining.

Support for enable-based multicycle path constraints

In multirate designs with a single clock signal, use **Enable based constraints** to meet the timing requirements for data paths operating at a rate slower than the base rate. HDL Coder generates a constraints file that specifies the enabled-based multicycle path constraints.

Previously, to generate the multicycle path information, you used the `MulticyclePathInfo` setting. This setting corresponds to the **Register-to-register path info** in the **Target and Optimizations > General** tab. Now, to generate the multicycle constraints file:

- In the Configuration Parameters dialog box, on the **Target and Optimizations** pane, select the **Enable based constraints** check box.
- At the command line, use `MulticyclePathConstraints`.

When you use **Enable based constraints**:

- The generated constraints are more robust to name changes in synthesis tools.
- HDL code generation is faster than when you use the **Register-to-register path info** setting.

For more information, see [Meet Timing Requirements Using Enable-Based Multicycle Path Constraints](#).

Clock-rate pipelining enhancements

Latency reduction in the presence of design delays

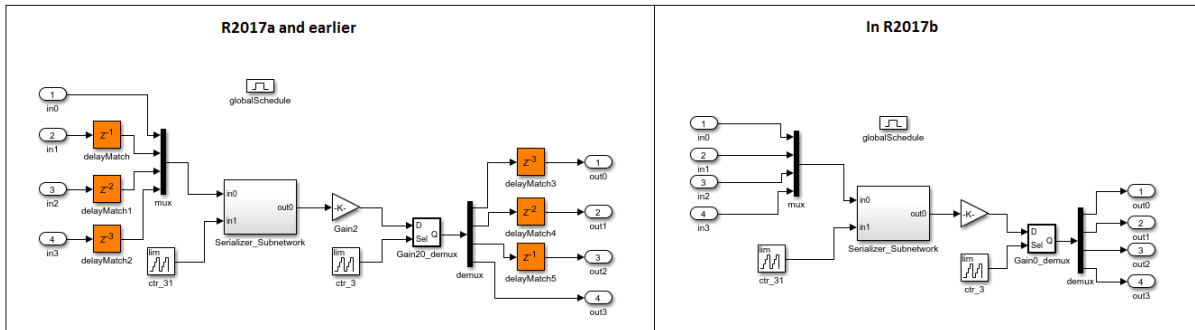
The code generator can now absorb design delays that have a **delay length** greater than 1 inside a clock rate pipelining region. This optimization avoids the additional latency by accommodating the slower design delays as part of the faster clock-rate pipeline registers. Based on the length of the design delay and the **Oversampling factor** that you specify, HDL Coder inserts a certain number of pipeline registers that is equal to the **Oversampling factor** times the delay length.

Resource sharing improvements with clock rate pipelining

The code generator now does not have to add matching delays at the input and output ports when the resource sharing optimization is applied within a clock rate pipelining

region. This optimization reduces the latency and resource usage significantly, especially for large values of **Sharing factor**.

This figure shows the generated model when resource sharing is applied in a clock rate pipelining region in R2017b and prior releases.



IP Core Generation and Hardware Deployment

AXI4 Master Interface: Facilitate communication between your design and external memory by using the AXI4 Master protocol for more flexible data access

When your design uses algorithms that require accessing large data sets from an external memory, you can generate an HDL IP core with AXI4 Master interface that can communicate between your design and the external memory controller IP by using the AXI4 Master protocol. Use the AXI4 Master interface when you're:

- Design targets multiframe video processing applications. You can store the image data in external memory, such as a DDR3 memory on board, and then read or write the images to your design in a burst fashion for high-speed processing.
- Algorithm must access memory data in a nonstreaming arbitrary pattern.
- DUT IP core must control other IPs with the AXI4 slave interface in the system. This capability is especially useful in standalone FPGA devices.

If you use Xilinx Zynq ZC706 evaluation kit as the **Target platform**, you can integrate the generated HDL IP core into the Default system with External DDR3 Memory Access reference design. Optionally, you can integrate the HDL IP core with AXI4 Master Interface into your own custom reference design by using the `addAXI4MasterInterface` method of the `hdlcoder.ReferenceDesign` class.

To learn more, see Model Design for AXI4 Master Interface Generation.

IP Core Generation Support for Xilinx System Generator: Generate an HDL IP core for DUT containing System Generator blocks

When you use the IP Core Generation workflow or workflows that use the IP Core Generation workflow infrastructure such as Simulink Real-Time FPGA I/O, you can have Xilinx System Generator Subsystem blocks inside the DUT.

To learn how to generate HDL code from your DUT containing Xilinx System Generator blocks, see Using Xilinx System Generator for DSP with HDL Coder.

INOUT port type support for External Port interface in IP Core Generation workflow

With the IP Core Generation workflow, you can now specify INOUT port types on a blackbox subsystem and then map the corresponding DUT ports to External Port interfaces in the **Target platform interface table** when you run the workflow.

To learn how to specify INOUT port types, see Specify Bidirectional Ports.

Faster Simulink Real-Time FPGA I/O model build time with version register in generated IP core

For the newer Speedgoat boards that use the IP Core Generation workflow infrastructure, when you use the Simulink Real-Time FPGA I/O workflow, the generated IP core now contains a unique timestamp. The IP Core Generation report shows an `IPCore_Stamp` register that contains information about when the IP core was created up to the minute time value. The code generator appends this information to the bitstream file name, and then copies the file to the current working directory for easier access.

By using the timestamp, you can match the packaged HDL IP core to the FPGA bitstream that gets downloaded to the board. When you run the workflow, HDL Coder generates a Simulink Real-Time FPGA I/O interface model that contains the timestamp information as part of the Setup block. When you build this model, the code generator compares the timestamp with the FPGA bitstream file name that is used to program the FPGA. If there is a match in the timestamp name, the FPGA no longer needs to be reprogrammed, which significantly reduces the model build time.

Default system with External DDR3 Memory Access reference design

You can use a new Default system with External DDR3 Memory Access reference design when you specify Xilinx Zynq ZC706 evaluation kit as the target platform.

You must have HDL Verifier and the HDL Coder Support Package for Xilinx Zynq Platform.

Updates to supported software

HDL Coder has been tested with:

- Xilinx Vivado Design Suite 2016.4
- Intel Quartus Prime 16.1

See Supported Third-Party Tools and Hardware.

HDL Coder support packages renamed

- The HDL Coder Support Package for Altera®FPGA Boards has been renamed to the HDL Coder Support Package for Intel FPGA Boards.
- The HDL Coder Support Package for AlteraSoC Platform has been renamed to the HDL Coder Support Package for Intel SoC Devices.
- The HDL Coder Support Package for Xilinx Zynq-7000 Platform has been renamed to the HDL Coder Support Package for Xilinx Zynq Platform.

See also HDL Coder Supported Hardware.

R2017a

Version: 3.10

New Features

Bug Fixes

Compatibility Considerations

Model and Architecture Design

HDL Floating Point Operations Library: Easily find additional and existing single-precision floating-point blocks supported for HDL code generation

HDL Coder provides a **HDL Floating Point Operations** block library that consists of Simulink blocks configured for HDL code generation with the native floating-point support.

In R2017a, HDL Coder added native floating-point support for these blocks in the **HDL Floating Point Operations** Library.

- Discrete FIR Filter with Fully Parallel as **HDL Architecture**
- Discrete-Time Integrator
- Discrete PID Controller
- Rounding Function
- Trigonometric Function with **Function** as `cos + jsin`
- Sign
- Math Function block with **Function** as:
 - `mod`
 - `rem`

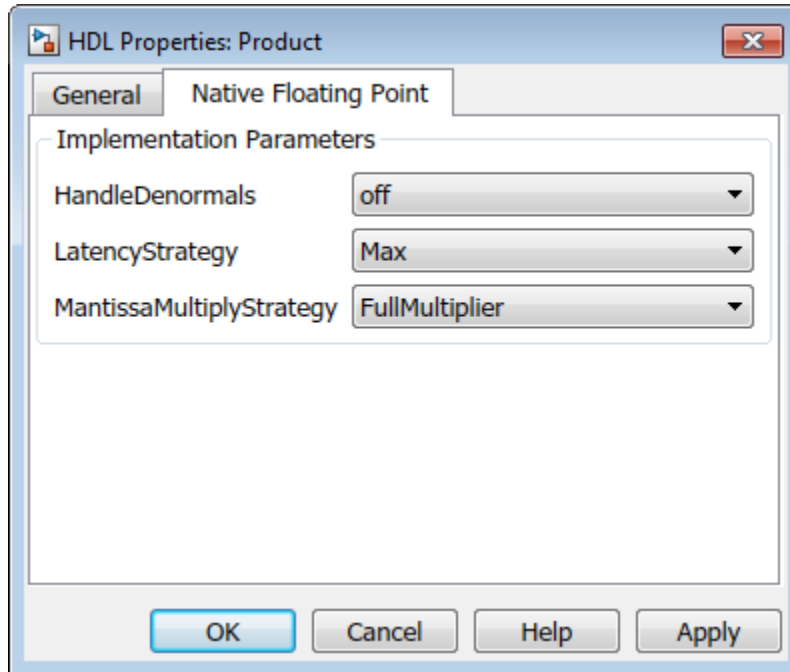
See also HDL Floating Point Operations.

Floating-Point Latency Customization at Block-Level

For blocks that support code generation in native floating-point mode, you can now specify custom block-level settings. By default, the blocks in your design inherit the native floating-point settings that you specify in the Configuration Parameters dialog box. To specify custom settings for these blocks, right-click the block and open **HDL Code > HDL Block Properties**, and then select the **Native Floating Point** tab. Using custom settings for the blocks, you can optimize your design implementation on the target FPGA device for area and speed.

For most blocks, the **Native Floating Point** tab contains the **HandleDenormals** and **LatencyStrategy** settings. If there are multipliers in your design, you can specify how

you want HDL Coder to implement the mantissa multiplication operation for individual blocks by using the **MantissaMultiplyStrategy** setting. This figure shows the HDL Block Properties dialog box for a Product block.



Additional Block and System Object Support with Native Floating Point

HDL Coder now supports these blocks and system objects with native floating point.

- All RAM blocks, which include:
 - Single Port RAM
 - Dual Port RAM
 - Simple Dual Port RAM
 - Dual Rate Dual port RAM
- Serializer1D and Deserializer1D

- `hdl.RAM`

See Also Operators and Simulink Blocks Supported for Native Floating-Point.

Custom reference model prefix specification

For module names or files that are generated for a model reference, you can now specify a custom reference model prefix. Previously, HDL Coder prefixed the referenced model with `modelName_`.

To add a prefix for the referenced model, in the HDL Block Properties dialog box, for **ReferenceModelPrefix**, specify the prefix as a text. When generating code, HDL Coder applies this prefix to the names of generated HDL files for submodels, package names, and HDL identifiers. By default, the prefix is the name of the top-level subsystem.

See also Model.

GenerateWebview parameter name changed to HDLGenerateWebview

To include a model Web view in the HDL Code Generation report programmatically, you now use the `HDLGenerateWebview` parameter. This parameter corresponds to the **Generate model Web view** setting on the **HDL Code Generation** pane in the Configuration Parameters dialog box. Previously, you used the `GenerateWebview` parameter.

HDL Coder now distinguishes the `HDLGenerateWebview` parameter from the `GenerateWebview` parameter that Embedded Coder® uses.

Compatibility Considerations

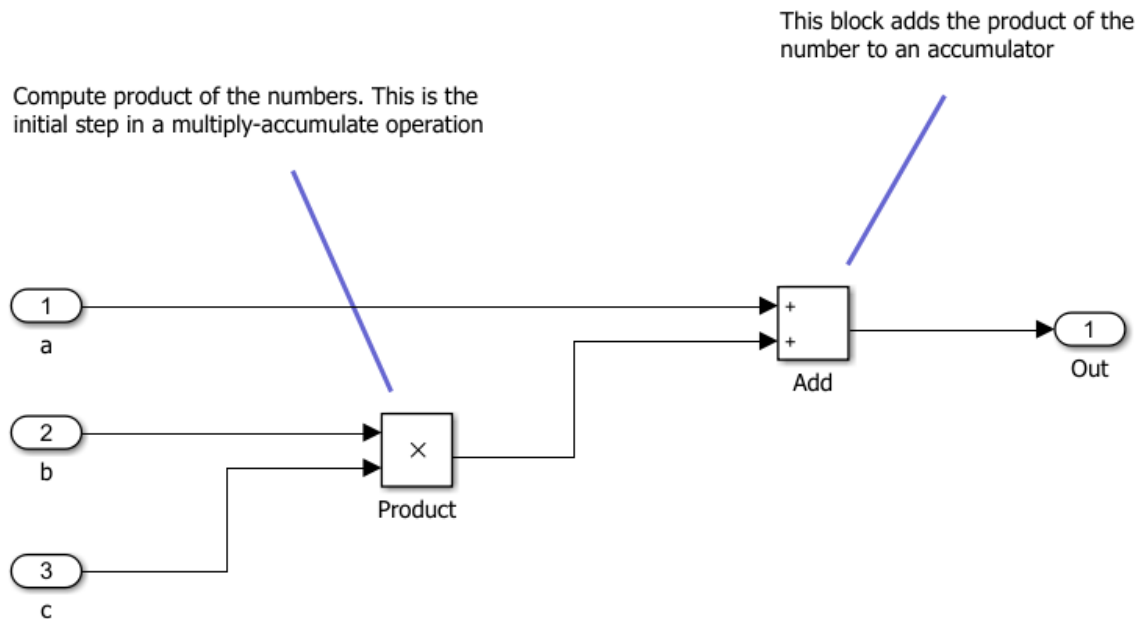
In R2017a, if you run a previously saved MATLAB script that used `hdlset_param` or `makehdl` with the `GenerateWebview` parameter, HDL Coder generates an error. To fix the error, change the parameter name to `HDLGenerateWebview`, and then run the script.

If you load a pre-R2017a model that was saved with the `GenerateWebview` parameter enabled, HDL Coder ignores the parameter setting. To generate the model Web view, enable the `HDLGenerateWebview` parameter.

Comments in HDL code for Simulink blocks with text annotations

If you add text annotations with connecting lines to Simulink blocks, HDL Coder generates comments in the HDL code for the blocks. The comments make it easier to map your algorithm in Simulink to the generated code.

Previously, the comments were grouped together on top of the process declaration statement in Verilog or the entity declaration statement in VHDL. For example, consider this Simulink model that performs a multiply-accumulate operation.



This table shows the generated Verilog code from the model for R2017a and earlier releases.

R2017a	Releases before R2017a
<pre> module MAC (a, b, c, Out); input [15:0] a; // uint16 input [15:0] b; // uint16 input [15:0] c; // uint16 output [31:0] Out; // uint32 wire [31:0] Product_out1; // uint32 wire [31:0] Add_1; // ufix32 wire [31:0] Add_out1; // uint32 // Initial product computation assign Product_out1 = b * c; // Adds product of the numbers to an accumulator assign Add_1 = {16'b0, a}; assign Add_out1 = Add_1 + Product_out1; assign Out = Add_out1; endmodule // MAC </pre>	<pre> module MAC (a, b, c, Out); input [15:0] a; // uint16 input [15:0] b; // uint16 input [15:0] c; // uint16 output [31:0] Out; // uint32 wire [31:0] Product_out1; // wire [31:0] Add_1; // ufix32 wire [31:0] Add_out1; // uir // Adds the product of the nu // // Initial product computatio assign Product_out1 = b * c; assign Add_1 = {16'b0, a}; assign Add_out1 = Add_1 + Pro assign Out = Add_out1; endmodule // MAC </pre>

See also [Generate Code with Annotations or Comments](#).

Block Enhancements

For Each Subsystems: Reduce block replication and improve code reuse in HDL-targeted designs

HDL Coder supports the For Each Subsystem block for code generation. The block:

- Supports vector processing that enables you to process individual elements or subarrays of an input signal simultaneously. You no longer need to split the signals or create and connect replicas of a subsystem to model the same algorithm.
- Improves readability of code by using a `for-generate` loop in the generated HDL code that iterates through each element of the input signal. The elements can be scalars or subarrays of the input signal. The `for-generate` loop is cleaner and reduces the number of lines of code, which can otherwise result in hundreds of lines of code for large vector signals.
- Supports HDL code generation for all data types, Simulink blocks, and predefined and user-defined system objects.
- Supports optimizations on and inside the block, such as resource sharing and pipelining. The parallel processing capability of the For Each Subsystem block combined with the optimizations that you specify provides high performance on the target FPGA device.

The For Each Subsystem block is available as part of the **Ports & Subsystems** block library in HDL Coder.

For an example that shows how to generate HDL code for the For Each Subsystem, see [Generate HDL Code for Blocks Inside For Each Subsystem](#).

HDL Optimized Filters: Model and generate optimized hardware implementations for FIR filters (requires DSP System Toolbox)

This release introduces the Discrete FIR Filter HDL Optimized block and `dsp.HDLFIRFilter` System object, which model FIR filter structures optimized for HDL code generation. The filter is sample-based. Control signals are provided for flow control. Resource sharing options allow tradeoffs between throughput and resource utilization. The block and object provide cycle-accurate models of the generated HDL code, including clock rates and latency.

HDL Channelizer Block and System Object: Isolate narrowband channels from a wideband signal and generate HDL with efficient multiplier usage (requires DSP System Toolbox)

This release introduces the Channelizer HDL Optimized block and `dsp.HDLChannelizer` System object, which model a polyphase filter bank and fast Fourier transform and support HDL code generation. The algorithm provides an efficient hardware implementation and hardware-friendly control signals. You can achieve giga-sample-per-second (GSPS) throughput with vector input.

Gigasample per Second (GSPS) Signal Processing: Increase throughput of FIR decimation algorithms by using frame input

You can now generate HDL code from the FIR Decimation block when the block uses frame input. The block accepts a column vector of input data. Each element of the vector represents a sample in time. The coder implements a parallel HDL architecture for the filter. This capability increases throughput in hardware designs. To configure the block for frame input:

- 1 Connect a column vector signal to the FIR Decimation block input port.
- 2 Specify **Input processing** as Columns as channels (frame based).
- 3 Set **Rate options** to Enforce single-rate processing.
- 4 Right-click the block and open **HDL Code > HDL Block Properties**. Set the **Architecture** to Frame Based. The block implements a parallel HDL architecture. See Frame-Based Architecture.

Enhancements to MATLAB Function block support in synchronous subsystems

For a MATLAB Function block inside a synchronous subsystem, you can now use the combinational and sequential logic portions in one MATLAB function. Previously, you created two separate MATLAB Function blocks, one for the combinational logic, and the other for the sequential logic.

To use the combinational and sequential logic portions inside one MATLAB Function block, in the Ports and Data Manager dialog box, select the **Allow direct feedthrough**

check box. The output function can then depend on inputs and persistent variables. For example, you can now use this MATLAB function that has two outputs, with one output depending on the input, and the other output depending on a persistent variable.

```
function [y1, y2] = fcn(u, v)

persistent p;
if isempty(p)
    p = uint8(0);
end

y1 = p;
y2 = v;

p = u;
```

Using the MATLAB Function block inside a synchronous subsystem generates cleaner HDL code and uses fewer hardware resources. See also State Control.

HDL Coder support for blocks that support bus signal treated as vector

HDL Coder can now generate code for blocks that support the **Bus signal treated as vector** setting. These blocks are not bus-capable, but they can accept a vector signal. Previously, to generate HDL code for these blocks, you used a Bus to Vector block to convert the bus signals to vectors for input to the block.

When you use these blocks with buses, ensure that:

- Input to the blocks is a virtual bus.
- Constituent signals of the bus have the same attributes.
- **Bus signal treated as vector** is set to none or warning. This setting is available in the **Diagnostics > Connectivity** pane in the Configuration Parameters dialog box. See also Bus signal treated as vector (Simulink).

HDL code generation support for Bus Assignment block with nonvirtual bus

In your Simulink model, you can now use Bus Assignment blocks with nonvirtual bus signals for HDL code generation. Previously, when you used Bus Assignment blocks, to generate HDL code, you converted the nonvirtual buses to virtual buses.

Additional HDL Coder bus support

HDL Coder now supports the:

- Ground block with bus input
- Constant block with a value of 0 and bus as **Output data type**

HDL code generation support for System Objects with enumeration types

You can now generate HDL code for System objects with enumeration types:

- From MATLAB, by using the **HDL Coder** app or MATLAB to HDL Workflow Advisor
- From Simulink, for System objects that are used with MATLAB System or MATLAB Function blocks

You can also use array of enumeration types and enumeration types as fields in Simulink bus data types for HDL code generation.

Code Generation and Verification

Native Floating-Point Testbench: Generate SystemVerilog DPI, cosimulation, and FPGA-in-the-loop test benches with single-precision data types (requires HDL Verifier)

Before generating code, if you enable the native floating-point support, you can now verify the HDL implementation of your design by using any of these testbenches:

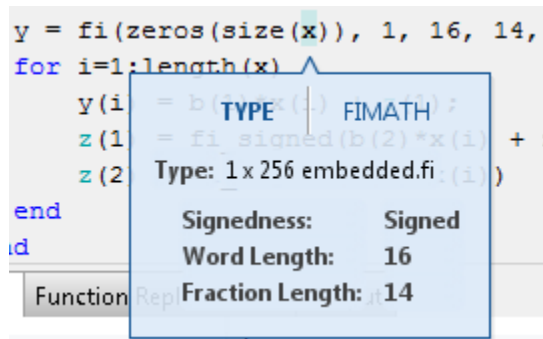
- SystemVerilog DPI test bench
- Cosimulation
- FPGA-in-the-loop

See also [Verify the Generated Code from Native Floating-Point](#).

More fixed-size variable information in Fixed-Point Conversion step of HDL Coder App

In R2017a, when you convert floating-point MATLAB code to fixed-point MATLAB code, the target interface step provides information about the converted fixed-point code. Previously, in the target interface step, the app displayed the original floating-point MATLAB code.

In the **Fixed-Point Conversion** step, after fixed-point conversion, if you place your cursor over a converted variable or expression, the app displays the fixed-point type information.



The screenshot shows a MATLAB script with a tooltip over a variable. The tooltip displays the following information:

```

y = fi(zeros(size(x)), 1, 16, 14,
for i=1:length(x)
  Y(i) = b(TYPE: (:) FIMATH);
  z(1) = fi_signed(b(2)*x(i) + z
  z(2) Type: 1 x 256 embedded.fi.(i)
end
id
Function Rep

```

Signedness:	Signed
Word Length:	16
Fraction Length:	14

For a variable with a fixed-point type in the original code, when you place your cursor over the variable before or after conversion, the app displays the fixed-point type information.

Comments in generated HDL code for MATLAB System blocks

In R2017a, if you have comments in your MATLAB System block, HDL Coder passes these comments to the generated HDL code. These comments make it easier to map your algorithm in MATLAB to the generated HDL code.

Global reset signals minimization in generated HDL Code

In R2017a, you can use the **Minimize global resets** setting to minimize or remove global reset signals in the generated HDL code. To specify this setting, in the Configuration Parameters dialog box, on the **HDL Code Generation > Global Settings > Ports** tab, select the **Minimize global resets** check box.

See also `MinimizeGlobalResets`

HDL code generation support for DUT subsystem with custom HDL properties

For any DUT subsystem, you can now specify custom HDL block property settings and generate HDL code. To specify these custom settings, right-click the subsystem and select **HDL Code > HDL Block Properties**.

Previously, to generate HDL code for any DUT subsystem, the subsystem used the default HDL block property settings.

Changes in HDL Code Generation Panel in Configuration Parameters Dialog Box

Parameters Added

- Minimize global resets in the **Global Settings > Ports** tab
- In the **Test Bench** pane Test Bench Generation Output section:
 - SystemVerilog DPI test bench

- HDL code coverage check box

Parameters Moved

These parameters moved from the **Target and Optimizations > General** tab to the **Global Settings > Ports** tab:

- Minimize clock enables
- Use Trigger as clock

Parameters Removed

Cosimulation model for use with:

Syntax Highlighting of Generated HDL Code in HTML Report

In R2017a, enhancements in syntax highlighting greatly improve the readability of the generated HDL code. To see the syntax highlighting, before generating HDL code, in the Configuration Parameters dialog box, on the **HDL Code Generation** pane, select the **Generate traceability report** check box.

Previously, the Code Generation report used two highlighting colors: blue for code and green for comments. With this change, HDL-specific keywords are highlighted in blue and the rest of the HDL code is in black. Comments in the code are still highlighted in green.

Speed and Area Optimizations

Improvements to delay balancing in multirate regions

If you have local multirate regions in your design or introduce them through clock-rate pipelining, HDL Coder improves delay optimization in these regions by reducing excessive matching delays. This optimization results in area, timing, and power-efficient designs, particularly in cases with significant rate differences.

Functionality Being Removed or Changed

Functionality	Result	Use Instead	Compatibility Considerations
MaxComputationLatency	Still runs. The code generator displays a warning.	Oversampling with clock-rate pipelining.	Replace all instances of MaxComputationLatency with Oversampling.
MaxOversampling	Still runs. The code generator displays a warning.	Oversampling with clock-rate pipelining.	Replace all instances of MaxOversampling with Oversampling.

IP Core Generation and Hardware Deployment

Data Type Support for AXI4 Slave: Map floating-point signals and vector signals to AXI4 slave interfaces in IP core generation

When using the IP Core Generation workflow, in the **Target platform interface table**, you can map single and vector signals at the DUT ports to AXI4 or AXI4-Lite interfaces.

The workflow for vector signals includes an **IP Core Generation** report that displays:

- Address offsets of AXI4 interface accessible registers generated for each input, output, and strobe signal in the **Register Address Mapping** section. The additional strobe register for each input and output vector data maintains the synchronization across multiple, sequential AXI4 read and write operations. For each input and output vector signal, this section displays the size of the vector, and the starting and ending address offsets.
- A **Vector Data Read/Write with Strobe Synchronization** subsection in the **IP Core User's Guide** section that shows how HDL Coder handles vector data and synchronizes read and write operations across the AXI4 interface.

See also Custom IP Core Generation.

When you use signals that have a single data type, specify the floating-point library. In the Configuration Parameters dialog box, on the **HDL Code Generation > Global Settings > Floating Point Target** tab, for **Library**, choose Altera Megafunctions (Altera FP Functions), Altera Megafunction (ALTFP), Native Floating Point, or Xilinx LogiCORE.

Incremental Vivado Synthesis: Enable IP caching for faster synthesis of Xilinx Vivado reference designs

When creating a Xilinx Vivado project with the IP Core Generation workflow, you can enable IP caching to speed up synthesis of the reference design. To accelerate reference design synthesis when using the workflow for the second time:

- 1 Before running the **Create Project** task the first time, select the **Enable IP caching** check box. When running this task, the workflow creates an empty IP cache folder.

- 2 Run the **Build FPGA Bitstream** task to populate the IP cache folder with synthesis logs and design checkpoint files generated for the HDL IP core and other IP blocks in the reference design.
- 3 To accelerate reference design synthesis, run the **Build FPGA Bitstream** task a second time. Make sure that you use the same `hdl_prj` folder as the first time you ran the workflow.

The Xilinx Vivado tool then checks and reuses the design checkpoint files in the IP cache, which speeds up reference design synthesis.

If you are using your own custom reference design, you can accelerate reference design synthesis when running through the workflow the first time.

- 1 In the IP cache folder, delete the IP core files generated for the DUT. Extract the remaining files in this folder into a zip file, name it `ipcache.zip`, and save the file in the reference design folder.
- 2 Make sure that the `IPCacheZipFile` property of the `hdlcoder.ReferenceDesign` class points to the `ipcache.zip` folder.

In the workflow, HDL Coder uses the files in this IP cache, which speeds up reference design synthesis. For more information, see [IP Caching for Faster Reference Design Synthesis](#).

IP core generation support for Altera Megafunction

When mapping your floating-point algorithm in Simulink to Altera Megafunction floating-point IP, you can now generate an HDL IP core with the **IP Core Generation** workflow. To use this workflow, map your Simulink model to Altera Megafunctions (Altera FP Functions) or Altera Megafunctions (ALTFP) floating-point libraries.

To specify the floating-point library, in the Configuration Parameters dialog box, on the **HDL Code Generation > Global Settings > Floating Point Target** tab, for **Library**, choose Altera Megafunctions (Altera FP Functions) or Altera Megafunctions (ALTFP).

Custom IP repository specification

With the **IP Core Generation** workflow, by using the `addIPRepository` method of the `hdlcoder.ReferenceDesign` class, you can add your own custom IP repository to your custom reference design.

Previously, to add IP modules, you used the `CustomFiles` property of the `hdlcoder.ReferenceDesign` class. Starting in R2017a, you can still use the `CustomFiles` property, but it is recommended to use the `addIPRepository` method instead. Using this method, you can include IP from a shared repository folder, or include multiple repository folders in your reference design.

See also `Define and Add IP Repository to Custom Reference Design`.

Xilinx Virtex-2 FPGA board support being removed

HDL Coder no longer supports the Xilinx ISE 10.1 synthesis tool and target platforms that use the Xilinx Virtex-2 FPGA board. For example, Speedgoat I0314 and older Speedgoat boards use Xilinx Virtex-2 FPGA, and are no longer supported with the Simulink Real-Time FPGA I/O workflow.

Compatibility Considerations

If you load a pre-R2017a model that was saved with a target platform that used the Xilinx Virtex-2 FPGA, and then open the HDL Workflow Advisor, HDL Coder generates a warning. To avoid this warning, use a newer FPGA board and synthesis tool. With the Simulink Real-Time FPGA I/O workflow, use the Speedgoat I0321 or a later Speedgoat board.

Updates to supported software

HDL Coder has been tested with:

- Xilinx Vivado Design Suite 2016.2
- Altera Quartus II 16.0

See `Supported Third-Party Tools and Hardware`.

R2016b

Version: 3.9

New Features

Bug Fixes

Compatibility Considerations

Model and Architecture Design

Native Floating Point: Generate target-independent synthesizable RTL from single-precision floating-point models

In R2016b, if you use single-precision data types in your Simulink model, HDL Coder can generate target-independent HDL code without converting to fixed point. You can deploy the generated code on any generic ASIC or FPGA platform.

In your Simulink model:

- You can have a combination of integer, fixed-point, and floating-point operations. By using Data Type Conversion blocks, you can perform conversions between single-precision and fixed-point data types.
- If your design does not use denormal numbers, you can specify that HDL Coder does not have to add the additional logic to check for denormal numbers, which improves area on the target hardware platform.
- By using the latency strategy setting, customize the latency of the native floating-point library.

The generated code:

- Complies with the IEEE-754 standard of floating-point arithmetic.
- Does not require floating-point processing units or hard floating-point DSP blocks on the target ASIC or FPGA.

When you verify the generated code, use HDL testbench to check for floating-point tolerance based on `relative error` or `ulp error`, and to ensure accuracy of your design with Simulink.

To specify native floating-point support, in the Configuration Parameters dialog box, on the **HDL Code Generation > Global Settings > Floating Point Target** tab, for **Library**, specify **NATIVE FLOATING POINT**.

For more information, see Native Floating Point.

HDL Coder support for tunable parameters in data dictionary

Starting with R2016b, you can manage and define tunable parameters in a Simulink data dictionary for HDL code generation.

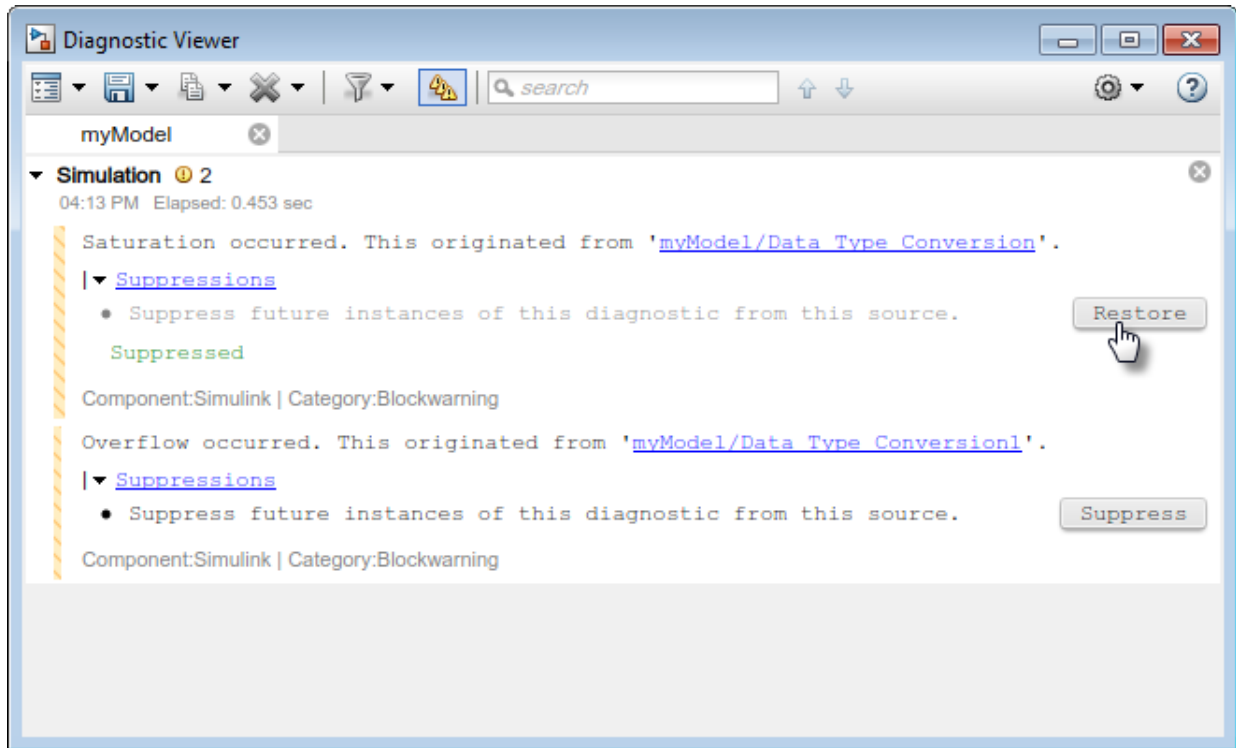
To learn more about data dictionary, see [What Is a Data Dictionary?](#).

Generic ports for DUT mask parameters

In R2016b, HDL Coder supports mask parameters at the DUT as generic ports for HDL code generation.

Simulink diagnostic suppressor option

The Diagnostic Viewer in Simulink now includes an option to suppress certain diagnostics. You can suppress warnings for specific objects in your model. In the Diagnostic Viewer, click the **Suppress** button next to the warning to suppress the warning from the specified source. You can restore the warning from the source by clicking **Restore**.



You can also control the suppressions from the command line. To view the existing suppressions on the model, use the `Simulink.getSuppressedDiagnostics` function.

```
Suppressed = Simulink.getSuppressedDiagnostics('myModel')
```

```
Suppressed =
```

```
SuppressedDiagnostic with properties:
```

```

    Source: 'myModel/Data Type Conversion'
        Id: 'SimulinkFixedPoint:util:Saturationoccurred'
    LastModifiedBy: ''
        Comments: ''
    LastModified: '2016-Apr-26 10:31:22'
```

Suppress diagnostics by using the `Simulink.suppressDiagnostic` function.

```
Simulink.suppressDiagnostic('myModel/Data Type Conversion1', ...  
    'SimulinkFixedPoint:util:Overflowoccurred')
```

Suppressed

Suppressed =

1x2 SuppressedDiagnostic array with properties:

```
Source  
Id  
LastModifiedBy  
Comments  
LastModified
```

Restore a diagnostic by using the `Simulink.restoreDiagnostic` function.

```
Simulink.restoreDiagnostic('myModel/Data Type Conversion1', ...  
    'SimulinkFixedPoint:util:Overflowoccurred')
```

Block Enhancements

Gigasample Per Second (GSPS) Signal Processing: Increase throughput of HDL code generated from Discrete FIR Filter and Integer Delay blocks by using frame input

You can now generate HDL code from the Discrete FIR Filter block when using frame input. Set **Input processing** to `Columns as channels (frame based)`. Then, right-click the block and open **HDL Code > HDL Block Properties**. Set the **Architecture** to `Frame Based`. The block accepts vector input data, where each element of the vector represents a sample in time. The coder implements a parallel HDL architecture for the filter. See Discrete FIR Filter.

The Delay block also supports HDL code generation with frame input data. Set **Input processing** to `Columns as channels (frame based)`. The block accepts vector input data, where each element of the vector represents a sample in time.

This capability increases throughput in hardware designs.

Bit-reversed input order for HDL-optimized FFT

For vector input data, the HDL-optimized FFT now supports bit-reversed input with natural order output. For scalar input data, you can select any input order with any output order. The default is natural order input with bit-reversed output.

This change affects these blocks and System objects:

- FFT HDL Optimized
- IFFT HDL Optimized
- `dsp.HDLFFT`
- `dsp.HDLIFFT`

High-throughput polyphase filter bank for HDL example

The Generate HDL Code for High Throughput Signal Processing example shows how to design a Polyphase Filter Bank to achieve gigasample per second (GSPS) data rates in the generated HDL implementation. The model uses the FFT HDL Optimized block with vector input.

HDL support for reset port on Discrete FIR Filter

You can now generate HDL code from the Discrete FIR Filter block when you configure the block to have an external reset port.

HDL Coder support for array of buses

In your Simulink model, you can now use an array of buses for HDL code generation.

When your Simulink model uses an array of buses, in the generated code, HDL Coder expands the array of buses into the corresponding scalars. For more information, see [Generating HDL Code for Subsystems with Array of Buses](#).

To learn more about array of buses and supported blocks, see [Combine Buses into an Array of Buses](#).

Synchronous behavior for Resettable Subsystem with State Control block

You can specify synchronous hardware behavior and generate cleaner HDL code for a Resettable Subsystem with the State Control block. If you specify synchronous hardware behavior, the HDL code uses fewer hardware resources, because HDL Coder does not generate bypass registers.

The Resettable Synchronous Subsystem block is now available as part of the HDL Subsystems block library in HDL Coder. The Resettable Synchronous Subsystem block uses the synchronous hardware behavior of the State Control block with the Resettable Subsystem block.

For an example that shows how to use the Resettable Synchronous Subsystem block, see [Resettable Subsystem Support in HDL Coder™](#).

HDL optimized Sine and Cosine blocks

In the Lookup Tables block library in HDL Coder, the Sine HDL Optimized and Cosine HDL Optimized blocks replace the Sine and Cosine blocks respectively. You can still use the Sine and Cosine blocks from the Lookup Tables block library in Simulink for HDL code generation.

The new blocks are optimized for area and speed because you can configure them with Lookup Tables that have an exact power of two as its number of elements. In the generated code, the Lookup Tables precede a register without reset so that they map efficiently to RAM blocks on the target hardware platform.

Simpler method to call System objects

You can now call a System object with arguments, as if it were a function, instead of using the `step` method to perform the operation defined by the object. The `step` method continues to work. This capability improves the readability of scripts and functions that use many different System objects.

For example, if you create a `hdl.RAM` System object named `ramsingle`, and then call the System object as a function with that name:

```
ramsingle = hdl.RAM('RAMType','Single port', ...  
    'WriteOutputValue','Old data');  
ramsingle(x)
```

The equivalent operation with the `step` method is:

```
ramsingle = hdl.RAM('RAMType','Single port', ...  
    'WriteOutputValue','Old data');  
step(ramsingle,x)
```

When the `step` method has the System object as its only argument, the function equivalent has no arguments. You must call this function with empty parentheses. For example, `step(sysobj)` and `sysobj()` perform equivalent operations.

Code Generation and Verification

Logic Analyzer: Visualize, measure, and analyze transitions and states over time for Simulink signals

If you have DSP System Toolbox, by using the **Logic Analyzer** visualization tool, you can view the transitions of signals. Use the **Logic Analyzer** to:

- Debug and analyze models.
- Trace and correlate many signals simultaneously.
- Detect and analyze timing violations.
- Trace system execution.

HDL Coder support for creating and attaching configuration sets

Starting in R2016b, HDL Coder supports configuration set management workflow on the Model Explorer, or from the command line. You can create an active configuration set with the preferred HDL Configuration Parameters on a standard Simulink model, and export and copy this configuration set for Simulink models that you create.

Previously, you created a configuration set for each Simulink model, and ensured that the configuration set had similar contents for all your Simulink models.

VHDL Architecture Name available in Configuration Parameters dialog box

You can now specify the **VHDL architecture name** in the Configuration Parameters dialog box.

- **Commonly Used Parameters** tab: **HDL Code Generation > Global Settings > General** tab.
- **All Parameters** tab: Search for VHDLArchitectureName.

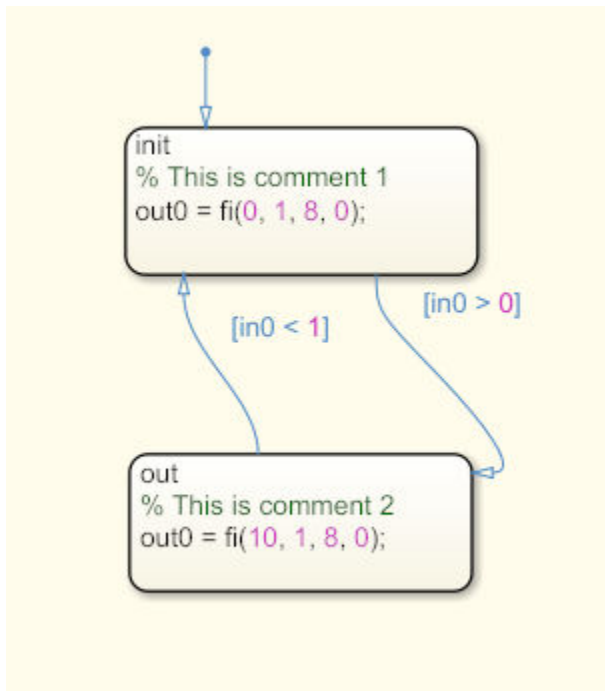
RAM with generic ports enhancement

Starting in R2016b, when generating code for RAM blocks in your Simulink model, HDL Coder adds parameters in Verilog and generics in VHDL for the RAM address and data

widths. This means that HDL Coder generates only one generic RAM file for RAM blocks that differ in address widths, data widths, or both.

Stateflow comments generated as comments in HDL

When your Simulink model contains a Stateflow Chart that uses comments, HDL Coder generates comments in the HDL code. For example, consider this Moore Stateflow Chart in your Simulink model.



When you generate Verilog code from the model, HDL Coder displays the comments in the Stateflow Chart inline beside the corresponding Stateflow object.

R2016b	R2016a
<pre> always @(is_AL_Chart) begin out0_1 = 8'sb00000000; case (is_AL_Chart) is_AL_Chart_IN_init : begin // This is comment 1 out0_1 = 8'sb00000000; end default : begin // This is comment 2 out0_1 = 8'sb00001010; end endcase end </pre>	<pre> always @(is_AL_Chart) begin out0_1 = 8'sb00000000; case (is_AL_Chart) is_AL_Chart_IN_init : begin out0_1 = 8'sb00000000; end default : begin out0_1 = 8'sb00001010; end endcase end </pre>

Tolerance check for floating-point libraries

When mapping your Simulink model to floating-point libraries, you can specify the tolerance check when you generate the testbench.

For operators such as trigonometric sine and cosine, there can be small rounding errors or numeric differences with the correct rounding range of values that the IEEE-754 standard specifies. To check for numerical accuracy in the generated testbench by using HDL testbench, specify the floating-point tolerance check.

You can perform the floating-point tolerance check based on the `relative error` or `ulp error`.

- `relative error`: Relative error is the rounding error when approximating a nonzero real number. By default, the tolerance value is $1e-07$. You can specify a tolerance value less than or equal to $1e-07$.
- `ulp error`: `ulp` (unit in the last place) is the gap between two floating-point numbers nearest x , even if x is one of the numbers. By default, the tolerance value is zero. You can specify a tolerance value greater than or equal to zero.

To check for floating-point tolerance, in the Configuration Parameters dialog box, on the Configuration section of **HDL Code Generation > Test Bench** tab, for **Floating point tolerance check based on**, specify `relative error` or `ulp error`, and enter the **Tolerance Value**.

For more information, see `FPToleranceValue` and `FPToleranceStrategy`.

Code Generation Report enhancements

Delay Balancing Report

HDL Coder now displays the path delay balancing information in the Delay Balancing section of the Optimization Report. Previously, the Optimization Report displayed the delay balancing information in the Path Delay Summary subsection of the Streaming and Sharing report.

See also Optimization Report.

Shift Operators in Resource Report

The High-level Resource Report Summary shows the number of Static Shift operators and Dynamic Shift operators. The Detailed Report shows the number of static left shift, static right shift, dynamic left shift, and dynamic right shift operators.

Comprehensive documentation for HDL coding standard rules

The HDL Coder documentation provides a comprehensive list of coding standard rules with recommendations for each of the rules. The coding standard rules fall under three categories:

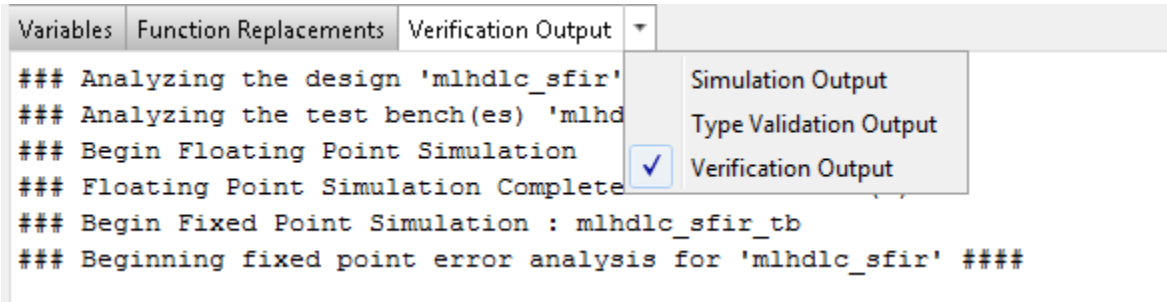
- **Basic Coding Practices:** Checks for conformance of modeling constructs with general naming conventions and basic coding guidelines. See [Basic Coding Practices](#).
- **RTL Description Techniques:** Checks for conformance with RTL description rules and guidelines. See [RTL Description Techniques](#).
- **RTL Design Methodology Guidelines:** Includes guidelines for creating and using function libraries, and test facilitation design. See [RTL Design Methodology Guidelines](#).

To learn more about HDL coding standards, see [HDL Coding Standards](#) and [HDL Coding Standard Report](#).

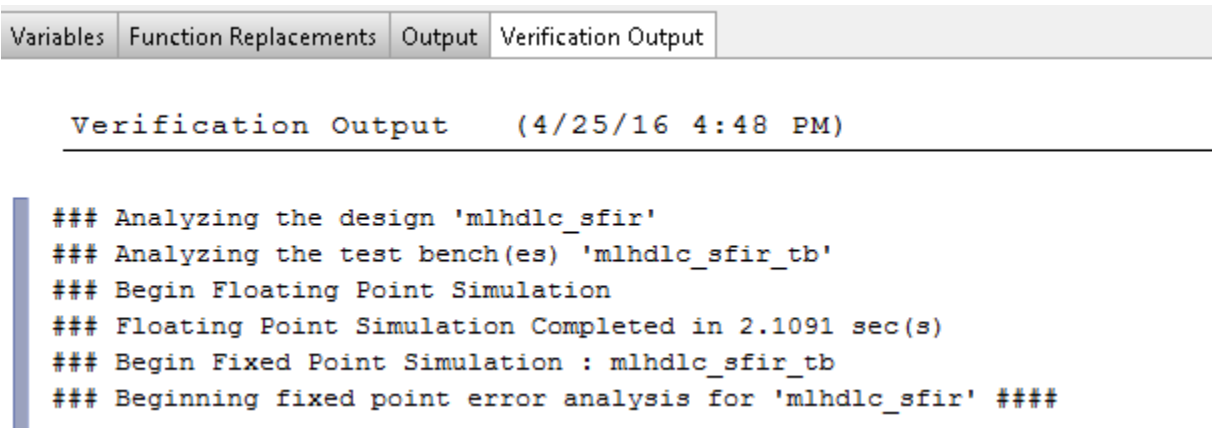
More discoverable logs and reports for fixed-point conversion in HDL Coder app

Previously, in the HDL Workflow Advisor **Fixed-Point Conversion** task, the **HDL Coder** app displayed logs and report links for range analysis, fixed-point conversion, and

verification on separate tabs that were placed on top of each other. To see a hidden tab, you opened a menu and selected the tab.



In R2016b, the app displays logs and report links for range analysis and fixed-point conversion on the **Output** tab. It displays logs and report links for verification on the **Verification Output** tab. These tabs are next to each other so that you can more easily find them.



Enhancements in generated model for Lookup Tables

In R2016b, you can flatten masked subsystems and library blocks that contain Lookup Tables to enable further optimizations and file reduction.

Target and Optimizations pane in HDL Coder Configuration Parameters

In the Configuration Parameters dialog box, on the **HDL Code Generation** pane, HDL Coder has a new **Target and Optimizations** pane where you can specify the target device and optimization settings.

- Parameters that were previously in the **General**, **Pipelining**, and **Resource Sharing** sections of the **Optimization** tab of **Global Settings** pane have moved to a **General** tab, a **Pipelining** tab, and a **Resource Sharing** tab respectively in the **Optimizations** section of **Target and Optimizations** pane.
- In the **Target and Optimizations** pane, you now specify the target device settings in the **Tool and Device** section and the **Target Frequency** in the **Objectives** section respectively.

For more information, see HDL Code Generation Pane: Target and Optimizations.

Link to Code Generation Report after HDL code generation

In the Configuration Parameters dialog box, on the **HDL Code Generation** pane, when you select **Generate resource utilization report** and generate HDL code, HDL Coder displays a link to the Code Generation report. If you happen to close the report after code generation, you can click the link to open the report from the MATLAB Command Window.

Speed and Area Optimizations

Adaptive Pipelining: Specify synthesis tool and target clock frequency for automatic pipeline insertion and balancing

You can now specify adaptive pipelining for your Simulink model, or for an individual subsystem in your Simulink model, to improve area and timing on the target FPGA device. To insert adaptive pipelines, specify the synthesis tool and the target frequency. HDL Coder inserts the required number of pipelines for potential area and timing improvements for these blocks:

- Lookup Table
- Product, Gain, and Multiply-Add
- Rate Transition and Downsample

You can enable adaptive pipelining by using the `AdaptivePipelining` property from the command line, or by using the **AdaptivePipelining** HDL block property for the Subsystem. See also Adaptive Pipelining.

HDL Coder displays a report that shows the adaptive pipelining status and whether HDL Coder successfully inserted pipeline registers. For more information, see Optimization Report.

Clock-rate pipelining enhancements

Subsystem level control of clock-rate pipelining

You can now specify clock-rate pipelining for individual subsystems in your Simulink model. With this optimization, you can selectively apply clock-rate pipelining to subsystems in your model design that are on the critical path, and improve timing.

To disable clock-rate pipelining for an individual subsystem, in HDL Block Properties for the subsystem, set **ClockRatePipelining** to off.

To learn more about the HDL block property, see `ClockRatePipelining`.

Optimization of Downsample block with nonzero offset

In R2016b, when you have a Downsample block with a nonzero **Sample offset** at the boundary of a clock-rate pipelining region, HDL Coder does not introduce the additional latency or generate a Rate Transition block. This optimization improves timing and area.

For more information, see Clock-Rate Pipelining.

Resource sharing enhancements

Sharing of multipliers with different word-lengths

HDL Coder now shares Product blocks and Gain blocks in your Simulink model that have different word-lengths. This optimization shares more multipliers, which saves area on the target platform.

To share multipliers that have different word-lengths, in the Configuration Parameters dialog box, on the **HDL Code Generation > Target and Optimizations > Resource Sharing** tab, specify the **Multiplier promotion threshold**. The **Multiplier promotion threshold** is the maximum word-length by which HDL Coder promotes a multiplier for sharing with other multipliers.

Previously, for successful resource sharing, you used Product blocks or Gain blocks with the same word-length.

See also `MultiplierPromotionThreshold` and Resource Sharing.

Sharing of floating-point IP

HDL Coder now shares floating-point IP blocks in the target hardware based on the `SharingFactor` that you specify. This optimization saves area on the target hardware by sharing more floating-point IP blocks.

If you do not want to share floating-point IP blocks, in the Configuration Parameters dialog box, on the **Resource Sharing** tab, clear **Floating-point IPs**.

See also `ShareFloatingPointIP`.

Delay balancing failures reported as errors

Starting in R2016b, if delay balancing is unsuccessful, HDL Coder generates an error. To see the block or subsystem in your Simulink model that caused delay balancing to fail, in

the **Delay Balancing** section of the Optimization report, click the link to that block or subsystem.

Compatibility Considerations

Previously, HDL Coder reported delay balancing failures as warnings. Now, if you load a pre-R2016b model for which delay balancing was unsuccessful, HDL Coder generates an error.

To learn more about possible reasons for delay balancing to fail, see [Delay Balancing](#).

Optimization of Delay blocks with nonzero initial condition

In the generated code, HDL Coder now replaces a Delay block that has nonzero initial condition in your Simulink model with a Delay block that has zero initial condition and some additional logic. With this replacement, optimizations such as sharing, distributed pipelining, and clock-rate pipelining can work more effectively, and prevent an assertion from being triggered in the validation model.

To disable this optimization, in the Configuration Parameters dialog box, on the **HDL Code Generation > Target and Optimizations > General** tab, clear **Transform non zero initial value delay**.

For more information, see [TransformNonZeroInitDelay](#).

Initialization script specification for Delay blocks without reset

Starting with R2016b, to initialize the registers, you can use the **no-reset registers initialization** setting to specify `Generate an external script`, `Do not initialize`, or `Generate initialization inside module`. When you select `Generate initialization inside module`, in Verilog, HDL Coder initializes the registers by using an initial block in each module. In VHDL, HDL Coder initializes the registers as part of the signal declaration statements.

Previously, if you had Delay blocks in your Simulink model with `ResetType` set to `None`, HDL Coder generated an external script to initialize the Delay blocks for ModelSim® simulation.

The **no-reset registers initialization** setting is available in the Configuration Parameters dialog box, on the **HDL Code Generation > Global Settings > Coding style** tab.

To learn more, see `NoResetInitializationMode`.

IP Core Generation and Hardware Deployment

AXI4-Stream Video Interface: Generate HDL code with the AXI4-Stream Video interface by using the IP core generation workflow

In R2016b, when your synthesis tool is Xilinx Vivado, HDL Coder can generate an IP core with an AXI4-Stream Video interface for your video algorithm. To generate an IP core, model your video algorithm by using the streaming pixel protocol. Then, in the **Target platform interface table** map the pixel data and pixel control bus ports to the AXI4-Stream Video Master or AXI4-Stream Video Slave interfaces.

You can integrate the generated IP core into the `Default video system` reference design or your own custom video reference design.

For more information, see [Model Design for AXI4-Stream Video Interface Generation](#).

Customizable FPGA floating-point target configuration

You can customize the floating-point target IP settings by using the floating-point target configuration that you specify for the library. When you customize the IP settings, you can choose from different combinations of IP names and data types, and specify the latency or the target frequency that you want the IP to achieve. You can customize the IP settings from:

- **Floating Point Target** tab in Configuration Parameters dialog box: When you specify an Altera or Xilinx FPGA floating-point library, specify your custom settings in the **IP Settings** section.
- Command-line interface: By using the `hdlcoder.createFloatingPointTargetConfig` class, you can create a floating-point target configuration object for a given FPGA floating-point library or the HDL Coder native floating-point. In the `IPConfig` property of this object, use the `customize` function to customize the IP settings.

For more information, see [Customize Floating-Point IP Configuration](#).

Additional block support for FPGA floating-point target library mapping

For FPGA floating-point target library mapping, HDL Coder supports these Simulink blocks and block modes:

- MinMax block.
- Unary Minus block.
- Add block with - ports.

See also HDL Coder Support for FPGA Floating-Point Library Mapping.

Default video system reference design

You can use a new Default video system (requires HDMI FMC module) reference design with these target platforms:

- Xilinx Zynq ZC702 evaluation kit
- Xilinx Zynq ZC706 evaluation kit
- ZedBoard

You must have Embedded Coder and the Computer Vision System Toolbox™ Support Package for Xilinx Zynq-Based Hardware.

Custom reference design enhancements

For your custom reference design, by using the `hdlcoder.ReferenceDesign` class, specify your own custom parameters and custom callback functions. Therefore, you can customize the settings that HDL Coder uses to create the project, generate the software interface model, and build the FPGA bitstream.

The IP Core Generation workflow has these enhancements:

- The **Set Target Interface** task is split into two tasks. One task is the original **Set Target Interface**, and the other task is a new **Set Target Reference Design**. In the **Set Target Reference Design** task, you can specify the parameters and supported tool version for the target reference design.

The **reference design** setting has moved from the **Set Target Interface** task to the **Set Target Reference Design** task.

- The new task **Set Target Frequency** means that you can specify the **Target Frequency (MHz)** for your design.

To learn more, see `Define Custom Parameters and Callback Functions for Custom Reference Design` and `hdlcoder.ReferenceDesign`.

Compatibility Considerations

In the **Generate Software Interface Model** task, the **Add IP core device driver** check box has been removed. To add the device driver, in the task **Program Target Device**, specify a new **Download Programming method**. The **Download Programming method** copies the generated FPGA bistream, device tree, and system initialization scripts to the SD card on the Zynq board, and keeps the bitstream on the SD card persistently.

The reference design names no longer contain a tool version number. If you load a pre-R2016b model that was saved with a reference design containing a version number in its name, and then open the HDL Workflow Advisor, HDL Coder generates a warning. To avoid this warning, select the reference design that does not have the tool version number, and save the model.

IP Core Generation workflow for Xilinx and Altera FPGA devices

You can use the IP Core Generation workflow to generate an HDL IP core for any supported Xilinx or Altera FPGA device. You can integrate the generated IP core into the `Default` system reference design, or create a custom board and reference design definition for your own FPGA board.

- With a new task **Set Target Frequency**, you can specify the **Target Frequency (MHz)** for your design.
- If the target device does not have an embedded ARM processor, there is no longer the **Generate Software Interface Model** task.

To learn more, see `IP Core Generation Workflow for Standalone FPGA Devices`.

Additional FPGA board support for IP Core Generation workflow

You can target the following FPGA boards for the IP core generation workflow:

- Xilinx Kintex-7 KC705 development board
- Arrow DECA MAX 10 FPGA evaluation kit

For examples that show how to target the FPGA boards, see Using IP Core Generation Workflow with Xilinx FPGA Boards: Xilinx Kintex-7 KC705.

Target clock frequency specification

By using the **Target Frequency (MHz)** setting in the **Target and Optimizations** pane in the Configuration Parameters dialog box, you can specify the target frequency for:

- FPGA floating-point target library mapping: Specify the target frequency that you want the IP to achieve when you use ALTERA MEGAFUNCTION (ALTERA FP FUNCTIONS).
- Adaptive pipelining: Specify the target frequency for HDL Coder to insert required number of pipelines to improve area and timing on the target platform.

Previously, you specified the target frequency for floating-point library mapping in the Configuration Parameters dialog box, on the **HDL Code Generation > Global Settings > Floating Point Target** tab.

By using the new **Set Target Frequency** task in the HDL Workflow Advisor, you can now specify the target frequency for the following workflows:

- Generic ASIC/FPGA
- IP Core Generation

From the command line, use the TargetFrequency property to save the target frequency on the model.

Simulink Real-Time FPGA I/O workflow support for Xilinx Vivado

For the new Speedgoat boards, the Simulink Real-Time FPGA I/O workflow supports Xilinx Vivado by using the IP Core Generation workflow.

See also IP Core Generation Workflow for Speedgoat Boards.

Speedgoat I0333-325K target hardware support

You can target the Speedgoat I0333-325K board with Xilinx Kintex7 for the Simulink Real-Time FPGA I/O workflow.

Updates to supported software

HDL Coder has been tested with:

- Xilinx Vivado Design Suite 2015.4
- Altera Quartus II 15.1

For a list of supported third-party tools and hardware, see Supported Third-Party Tools and Hardware.

R2016a

Version: 3.8

New Features

Bug Fixes

Compatibility Considerations

Model and Architecture Design

Gigasample per Second (GSPS) Signal Processing: Increase throughput of HDL-optimized FFT and IFFT algorithms using frame input

You can increase the throughput of the FFT and IFFT calculation by using vector input and output ports. The internal algorithm computes the FFT or IFFT of each vector element in parallel.

The FFT implementation is now a Radix 2^2 architecture which improves performance for vector input. The table compares hardware implementation resources between the old Radix 2 architecture and the new Radix 2^2 architecture.

Architecture	Multipliers	Adders	Memory	Control Logic For Vector Input
Radix 2 Hybrid	$\log_4(N-1)$	$3 \times \log_4(N)$	$17N/16 - 1$	Complicated
Radix 2^2 (SDF)	$\log_4(N-1)$	$4 \times \log_4(N)$	$N - 1$	Simple

This change affects these blocks and System objects:

- FFT HDL Optimized
- IFFT HDL Optimized
- `dsp.HDLFFT`
- `dsp.HDLIFFT`

Tunable and nontunable parameter enhancements

You can generate HDL code for:

- Stateflow Charts, State Transition Tables, or Truth Tables that use a tunable parameter.
- MATLAB Function blocks that use a tunable or nontunable parameter with vector, array, `struct`, enumeration, or complex data type.
- MATLAB System blocks containing a System object with tunable properties.

See Generate DUT Ports for Tunable Parameters.

Reusable HDL code enhancements for subsystems with tunable mask parameters

In R2016a, to generate one reusable HDL file for Subsystem blocks that contain Gain and Constant blocks for different values of tunable mask parameters, set the `MaskParameterAsGeneric` option.

Previously, in addition to setting the `MaskParameterAsGeneric` option, you used Atomic Subsystem blocks and selected the **tunable** attribute in the Mask Editor **Parameters & Dialog** tab for the Atomic Subsystem block.

See `MaskParameterAsGeneric`.

HDL Coder support for nondirect feedthrough setting in MATLAB Function blocks

HDL Coder now supports code generation from MATLAB Function blocks that use the nondirect feedthrough setting. With nondirect feedthrough, you can use MATLAB Function blocks in a feedback loop and prevent algebraic loops.

By default, MATLAB Function blocks have direct feedthrough enabled. To disable it, in the Ports and Data Manager pane, clear the **Allow direct feedthrough** check box.

Nondirect feedthrough enables semantics to ensure that outputs rely only on current state. For additional information, see [Use Nondirect Feedthrough in a MATLAB Function Block](#).

Block Enhancements

Synchronous Subsystem Toggle: Specify enable and reset behavior for cleaner HDL code by using State Control block

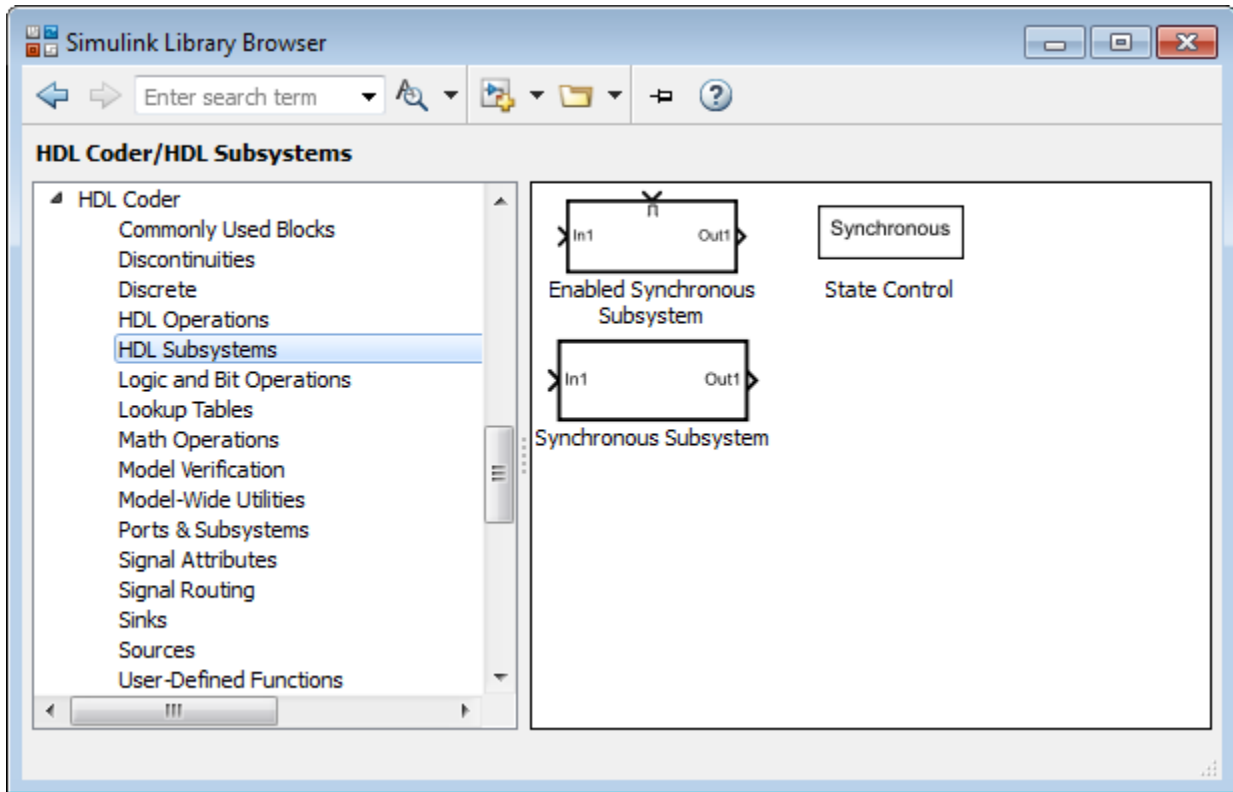
With the State Control block, you can toggle a subsystem between the default Simulink reset and enable behavior and the synchronous hardware reset and enable behavior. How you set the State Control block affects blocks within the subsystem that have state and have reset or enable ports.

If you specify synchronous hardware behavior, the HDL code is cleaner and requires fewer resources because HDL Coder does not generate bypass registers for enabled subsystems or multiplexers for blocks with reset ports.

To toggle a subsystem between synchronous hardware behavior and default Simulink behavior, add a State Control block to the subsystem:

- For synchronous hardware behavior, in the State Control block, set **State control** to **Synchronous**.
- For default Simulink behavior, in the State Control block, set **State control** to **Classic**.

The State Control, Enabled Synchronous Subsystem, and Synchronous Subsystem blocks are available as part of the HDL Subsystems block library in HDL Coder. The Synchronous Subsystem and Enabled Synchronous Subsystem blocks use the synchronous hardware behavior of the State Control block with the Subsystem and Enabled Subsystem blocks respectively.



Use the State Control block with Simulink, DSP System Toolbox, Communications Toolbox™, or Vision HDL Toolbox blocks that support HDL code generation.

For more information, see State Control and Synchronous Subsystem Behavior with the State Control Block.

Region-of-interest selection and grayscale morphology

Vision HDL Toolbox introduces a new block, ROI Selector, that selects a region of interest (ROI) from a video stream. You can specify one or more regions by using input ports or mask parameters. The block returns each new region as streaming pixel data and a corresponding `pixelcontrol` bus.

The `visionhdl.ROISelector` System object provides equivalent MATLAB functionality.

Vision HDL Toolbox includes new blocks and System objects that perform morphology operations on grayscale input data.

Block	System object
Grayscale Closing	<code>visionhdl.GrayscaleClosing</code>
Grayscale Dilation	<code>visionhdl.GrayscaleDilation</code>
Grayscale Erosion	<code>visionhdl.GrayscaleErosion</code>
Grayscale Opening	<code>visionhdl.GrayscaleOpening</code>

These blocks and System objects support HDL code generation.

Nested bus support enhancements

In R2016a, HDL Coder supports all nested virtual and nonvirtual buses. For example, you can now generate HDL code for a Delay block with a nested virtual bus signal input in your Simulink model.

Block support enhancements

You can generate HDL code for:

- A Bus to Vector block.
- A Dot Product block with Tree architecture when input signals are a mix of row and column vectors.
- A Shift Arithmetic block when **Bits to shift: Number** is a vector of bit shift values or **Bits to shift: Source** is Input port.
- Masked Inport and Outport blocks.
- A Matrix Concatenate block with `Multidimensional array` mode.
- A Bus Assignment block with bus signal input containing a nested bus signal.
- A MATLAB System block containing a user-defined System object with bus inputs or outputs.
- An n-D Lookup Table block with the `Breakpoints` specification parameter or a Prelookup block with the `Specification` parameter set to `Explicit values` or `Even spacing`.

- A Subsystem block with BlackBox architecture and a cell array variable in the **GenericList** field as input to the Subsystem block.

Code Generation and Verification

Faster Test Bench Generation and HDL Simulation: Generate SystemVerilog DPI test benches for large data sets with HDL Verifier

Reduce test bench generation and simulation time, especially when using large data sets. When you call the `makehdltb` function, set the `GenerateSVPITestBench` property. The coder generates a DPI component for your entire Simulink model, including your DUT and data sources. Your entire model must support C code generation with Simulink Coder™. The coder generates a SystemVerilog test bench that compares the output of the DPI component with the output of the HDL implementation of your DUT. The tool also generates a build script for your simulator. You can specify 'ModelSim', 'VCS', or 'Incisive'.

```
makehdltb(gcb,'GenerateSVPITestBench','ModelSim','GenerateHDLTestbench','off')
```

You must have an HDL Verifier license and a Simulink Coder license to use this feature.

Code Generation Report enhancements

The Code Generation Report has these enhancements:

- A new Code Interface Report shows the DUT input and output port names, data types, and bit widths.
- The High-level Resource Report shows the number of 1-bit registers and I/O bits. It includes resource usage for model references.

See Code Interface Report and High-level Resource Report in Resource Utilization Report.

- For each group of streamed or shared blocks, the Sharing and Streaming report provides more details:
 - For shared blocks, the report shows the resource type, block word length, number of blocks in the group, and a traceability link to the blocks in the original model and generated model. It includes a `Highlight shared resources and diagnostics` link to highlight in the original model and generated model the shared blocks and blocks that are barriers to resource sharing.

- For streamed blocks, the report links to the group of streamed blocks and shows the streaming factor. It includes a **Highlight streaming groups and diagnostics** link to highlight in the original model and generated model the streamed blocks and blocks that are barriers to streaming.

See Streaming and Sharing Report in Optimization Report.

Changes to Fixed-Point Conversion Code Coverage

If you use the HDL Coder app to convert your MATLAB code to fixed-point code and propose types based on simulation ranges, the app shows code coverage results. In previous releases, the app showed the coverage as a percentage. In R2016a, the app shows the coverage as a line execution count.

11	<code>persistent current_state</code>	
12	<code>if isempty(current_state)</code>	
13	<code> current_state = S1;</code>	1 calls
14	<code>end</code>	51 calls
15		
16	<code> % switch to new state based on the value state register</code>	
17	<code> switch uint8(current_state)</code>	
18	<code> case S1</code>	
19	<code> % value of output 'Z' depends both on state and inputs</code>	
20	<code> if (A)</code>	
21	<code> Z = true;</code>	37 calls
22	<code> current_state(1) = S1;</code>	
23	<code> else</code>	7 calls
24	<code> Z = false;</code>	
25	<code> current_state(1) = S2;</code>	
26	<code> end</code>	
27	<code> case S2</code>	51 calls
28	<code> if (A)</code>	
29	<code> Z = false;</code>	7 calls
30	<code> current_state(1) = S1;</code>	
31	<code> else</code>	0 calls
32	<code> Z = true;</code>	
33	<code> current_state(1) = S2;</code>	
34	<code> end</code>	
35	<code> case S3</code>	51 calls
36	<code> if (A)</code>	
37	<code> Z = false;</code>	0 calls
38	<code> current_state(1) = S2;</code>	
39	<code> else</code>	
40	<code> Z = true;</code>	
41	<code> current_state(1) = S3;</code>	
42	<code> end</code>	

See Code Coverage in Automated Fixed-Point Conversion.

Fixed-point conversion requires the Fixed-Point Designer™ software.

Progress indicator for HDL test bench generation

HDL Coder displays a series of dots to show progress during HDL test bench generation for test benches with a long simulation time.

HDL test bench generation simulates the Simulink model to collect data for every signal in the DUT. This data collection phase can therefore significantly impact HDL test bench generation time. The progress indicator dots help as visual indicators during this long phase of testbench generation.

Test bench generation with updated model stop time

If you generate a test bench, update the stop time in your model, and regenerate the test bench. The generated test bench uses the updated stop time.

Previously, test bench generation used the original stop time even if the stop time was updated.

Performance improvement for MATLAB to HDL test bench generation

In the MATLAB to HDL workflow, HDL Coder uses MEX code for data logging to speed up HDL test bench generation.

Coding standard check for length of control flow statements in a process block

When you enable the **Industry** coding standard, HDL Coder checks for the length of control flow statements, such as if-else, case and loops, which are described separately within a process block (for VHDL code) or an always block (for Verilog code). If the length of control flow statements in your design exceeds the specified limit, the coder displays an error in the HDL coding standard report.

See HDL Coding Standard Rules.

Warnings for non-ASCII characters in generated HDL code

If you have non-ASCII content in model annotations and Model Info blocks, HDL Coder issues warnings during `checkhdl` and `makehdl`. Non-ASCII characters in the generated HDL code can cause RTL simulation and synthesis tools to fail to compile the code.

Japanese translation for resource report

For Japanese versions of HDL Coder, the resource utilization report is in Japanese.

Speed and Area Optimizations

Resource Sharing Enhancements: Share multipliers and gain operations that have different data types

HDL Coder can now share multiply and gain blocks that have the same word length but different fraction lengths and different signs. This optimization reduces the resource utilization by sharing more multipliers and gain operations.

Previously, the word length, fraction length, and signs of the multiply or gain blocks had to be the same.

See Requirements and Limitations for Resource Sharing in Resource Sharing.

Biquad Filter block participates in subsystem HDL optimizations

The Biquad Filter block is now included in subsystem optimizations for speed and area of the generated HDL. To specify resource sharing, streaming, and pipeline options, right-click the subsystem containing the Biquad Filter block and open the **HDL Code > HDL Properties** dialog box. To use these optimizations you must set the **Architecture** of the Biquad Filter block to **Fully parallel**.

The optimizations work the same way as the optimizations for the Discrete FIR Filter block. You can share resources between Biquad Filter and Discrete FIR Filter blocks in the same subsystem.

More functions for Multiply-Add block to map to DSP

You can now choose from three different functions for the Multiply-Add block to map to the DSP blocks in Altera and Xilinx FPGA libraries. The three functions are $c+(a.*b)$, $c-(a.*b)$, and $(a.*b)-c$.

For details, see Multiply-Add.

Generation of Multiply-Add blocks for complex multiply operations

If you have Product or Gain blocks with complex input signals in your Simulink model, HDL Coder generates a model with Multiply-Add blocks. These Multiply-Add blocks map efficiently to the DSP blocks in Altera and Xilinx FPGA libraries.

RAM mapping for pipeline and floating-point delays

To optimize for area by mapping pipeline registers to RAM, in the Configuration Parameters dialog box, select the **Map pipeline delays to RAM** check box from the **HDL Code Generation > Global Settings > Optimization** tab. See `MapPipelineDelaysToRAM`.

HDL Coder also maps design delays and the pipeline registers in floating-point type to RAM.

Initialization script generated for Delay blocks without reset for ModelSim simulation

If you have delay blocks with in your model with `ResetType` set to `None`, HDL Coder generates a script to initialize these delay blocks for simulation with ModelSim.

Previously, you either modified the generated code or wrote your own script to initialize these delay blocks.

IP Core Generation and Hardware Deployment

Hard Floating-Point IP Targeting: Generate HDL to map to Altera Arria 10 floating-point units at user-specified target frequency

HDL Coder can now map your Simulink model to Altera floating-point IP (ALTERA FP FUNCTIONS) at the target frequency that you specify.

Previously, when mapping to Altera megafunction IP (ALTFP) or Xilinx LogiCORE® IP, you could specify only whether to optimize the Simulink model for minimum or maximum latency and for speed or area.

For more information, see [FPGA Floating-Point Library Mapping and TargetFrequency](#).

Compatibility Considerations

Previously, you chose the floating-point target library by selecting the **Set Target Library (for floating-point synthesis support)** check box from the HDL Workflow Advisor.

You now specify the floating-point target library from the **HDL Code Generation > Global Settings > Floating Point Target** tab in the Model Configuration Parameters dialog box.

End-to-end scripting for Simulink Real-Time FPGA I/O workflow

You can use the HDL Workflow Command Line Interface (CLI) to script the entire Simulink Real-Time™ FPGA I/O workflow.

To create the script to configure your design using the HDL Workflow Advisor, generate a target hardware bitstream or project from your Simulink model, and then export a script. Run the exported script, which contains HDL Workflow CLI commands, to replicate your HDL Workflow Advisor settings and generate the same target hardware bitstream or project.

SoC device programmed by using Ethernet connection

When using the IP core generation workflow in the HDL Workflow Advisor, you can program the target SoC device by using an Ethernet connection.

You must have Embedded Coder and the Embedded Coder Support Package for Intel SoC Devices.

Custom programming method for IP Core Generation workflow

Using the `CallbackCustomProgrammingMethod` method of the `hdlcoder.ReferenceDesign` class, you can define your own function to program the target device in your custom reference design.

Interface connection name and type for custom reference designs

Using the `AXI4SlaveInterface` method of the `hdlcoder.ReferenceDesign` class, you can specify the type of an AXI4 slave interface in a custom reference design. The type can be AXI4, or AXI4-Lite. You can also name the interface.

Updates to supported software

HDL Coder has been tested with:

- Xilinx Vivado Design Suite 2015.2
- Altera Quartus II 15.0

For a list of supported, third-party tools and hardware, see Supported Third-Party Tools and Hardware.

Automatic generation of FPGA top-level wrapper based on workflow

For the FPGA Turnkey and Simulink Real-Time FPGA I/O workflows, HDL Coder generates a top-level HDL code wrapper and a constraint file that contains pin mapping and clock constraints. In the HDL Workflow Advisor, for the FPGA Turnkey and Simulink

Real-Time FPGA I/O workflows, the name of the **Generate RTL Code and Testbench** task is now **Generate RTL Code**.

To run the **Annotate Model with Synthesis Result** task, your target workflow must be Generic ASIC/FPGA.

Compatibility Considerations

For all workflows, the **Generate FPGA top level wrapper** check box and `GenerateTopLevelWrapper` of the `hdlcoder.WorkflowConfig` class have been removed.

For the Generic ASIC/FPGA workflow, if you specify the `GenerateTopLevelWrapper` property of the `hdlcoder.WorkflowConfig`, HDL Coder displays a warning. In a future release, specifying this property will result in an error.

For the FPGA Turnkey or Simulink Real-Time FPGA I/O workflow, if you specify the following `hdlcoder.WorkflowConfig` properties, HDL Coder displays a warning. In a future release, specifying these properties will result in an error:

- `RunTaskGenerateRTLCodeAndTestbench`
- `RunTaskVerifyWithHDLCosimulation`
- `RunTaskAnnotateModelWithSynthesisResult`
- `GenerateRTLTestbench`
- `GenerateCosimulationModel`
- `CosimulationModelForUseWith`
- `GenerateValidationModel`
- `GenerateTopLevelWrapper`
- `CriticalPathSource`
- `CriticalPathNumber`
- `ShowAllPaths`
- `ShowDelayData`
- `ShowUniquePaths`
- `ShowEndsOnly`

R2015aSP1

Version: 3.6.1

Bug Fixes

R2015b

Version: 3.7

New Features

Bug Fixes

Compatibility Considerations

Model and Architecture Design

Model Arguments: Parameterize instances of model reference blocks

You can generate VHDL generic or Verilog parameter syntax for model arguments you use in a masked or unmasked Model block. In the model, you can use the model arguments in Gain or Constant blocks.

For details, see [Generate Parameterized Code for Referenced Models](#).

Integration with Xilinx Vivado System Generator for DSP blocks

You can generate code for subsystems containing Xilinx System Generator for DSP blocks when Xilinx Vivado is your synthesis tool. For setup information, see [Xilinx System Generator Setup for ModelSim Simulation](#).

struct input and output for top-level MATLAB design function

You can generate HDL code for a top-level MATLAB design function that has `struct` inputs or outputs. You can also generate HDL code for a test bench that uses `struct` data. Previously, `struct` data was supported within the design, but not at the top-level inputs or outputs.

For example, in Vision HDL Toolbox, this removes the requirement to flatten the `pixelcontrol` structure into the component signals, as shown here.

```
function [pixOut,hStartOut,hEndOut,vStartOut,vEndOut,validOut] = ...  
        HDLTargetedDesign(pixIn,hStartIn,hEndIn,vStartIn,vEndIn,validIn)
```

With HDL code generation support for structures, the arguments can now include the control signal structure.

```
function [pixOut,ctrlOut] = HDLTargetedDesign(pixIn,ctrlIn)
```

The structure is flattened to the individual control signals in the generated Verilog or VHDL code.

Tunable parameters in MATLAB Function block

When you generate code for a MATLAB Function block that uses a tunable parameter, the coder creates a top-level DUT port for the tunable parameter in the generated code.

For details, see [Generate DUT Ports for Tunable Parameters](#).

Output initialization requirement for Stateflow Moore Charts

If you have a model with a Stateflow Moore Chart, select the **Initialize Outputs Every Time Chart Wakes Up** chart property. By selecting this property, HDL Coder prevents latching of outputs, generates more readable HDL code, and provides better synthesis results.

Compatibility Considerations

In previous versions, you did not have to set the chart property. Starting in R2015b, if you do not select the **Initialize Outputs Every Time Chart Wakes Up** check box, HDL Coder generates an error.

Enforce ASCII character requirement for model property values

For HDL model properties that require ASCII character strings, HDL Coder now generates an error if you assign a non-ASCII string value.

The following model properties accept non-ASCII character strings:

- `BlocksWithNoCharacterizationFile`
- `CriticalPathEstimationFile`
- `DateComment`
- `DistributedPipeliningBarriersFile`
- `HighlightFeedbackLoopsFile`
- `SimulationLibPath`
- `SynthesisProjectAdditionalFiles`
- `TargetDirectory`

Compatibility Considerations

Previously, HDL Coder did not generate an error if you assigned a non-ASCII character string to a model property that required ASCII characters.

To fix the error, at the command prompt, enter: `hdlset_param (gcs, model_property_name, 'ASCII_value')`.

Block Enhancements

Expanded Bus Support: Generate HDL for enabled or triggered subsystems with bus inputs and for black boxes with bus I/O

You can now generate HDL code for the following blocks with bus input or output signals:

- Enabled Subsystem
- Triggered Subsystem
- Subsystem with black box implementation

Library Browser view shows blocks supported for HDL code generation

In the Library Browser, you can enable a filtered view that shows all the blocks that are compatible with HDL code generation. The view shows only those blocks for which you have a license. To use this filtered view, at the command prompt, enter `hdl lib`.

After using the `hdl lib` command, if you close and reopen the Library browser, the view that shows only those blocks that are compatible for HDL code generation persists. To display all blocks in the Library Browser, enter `hdl lib('off')`.

For more information, see [Show Blocks Supported for HDL Code Generation](#).

Compatibility Considerations

Previously, the `hdl lib` command created a supported blocks library called `hdl supported`. The `hdl lib` command now opens the Library Browser with a view that shows the supported blocks for HDL code generation, but does not create a block library.

To create the supported blocks library, at the command prompt, enter `hdl lib('librarymodel')`.

Trigonometric Function block with sin or cos function can have vector inputs

You can generate code for a Trigonometric Function block with vector inputs when the **Function** is `sin`, `cos`, `cos + jsin`, or `sincos`, and the **Approximation method** is `CORDIC`.

In the HDL Block Properties dialog box, you can also set **UsePipelinedKernel** to `Off` for zero-latency combinatorial HDL code. To avoid delay balancing errors, you can set **UsePipelinedKernel** to `Off` if the block is in a feedback loop.

See Trigonometric Function.

Discrete FIR Filter supports HDL optimizations

You can now optimize speed and area of the generated HDL for the Discrete FIR Filter block. Right-click the subsystem containing the Discrete FIR Filter block, and open the **HDL Code > HDL Properties** dialog to specify resource sharing, streaming, and pipeline options. You can use these optimizations when the **Architecture** is `Fully parallel`. This feature requires an HDL Coder license. See Reduce Critical Path with Distributed Pipelining, Resource Sharing of Multipliers to Reduce Area, and HDL Block Properties.

HDL-optimized FIR Rate Conversion block and System object

FIR Rate Conversion HDL Optimized block in DSP System Toolbox upsamples, filters, and downsamples a signal using an efficient polyphase FIR structure. The block operates on one sample at a time and provides hardware control signals to pace the flow of samples in and out of the block. The `dsp.HDLFIRRateConverter` System object provides equivalent MATLAB functionality. Both the block and System object support HDL code generation.

Code Generation and Verification

HDL Coder Configuration Parameters in list view

The Configuration Parameters list view shows HDL Code Generation parameters. In list view, you can search, filter, sort, and edit parameters. You can also get command-line parameter names for use in scripts. To use the list view, click the **List** button at the top of the Configuration Parameters dialog box.

Some of the HDL Code Generation parameters, such as the lint script, synthesis script, and HDL coding standard parameters, are unavailable in list view. To see all the HDL Code Generation parameters, use the category view.

To learn about Configuration Parameters list view, see Configuration Parameters Dialog Box Overview.

Support for configuration parameter **Default parameter behavior**

HDL code you generate for models that use the configuration parameter **Default parameter behavior**, which was previously called **Inline parameters**, follows the new behavior.

To learn more about the **Default parameter behavior** name and functionality change, see Configuration parameter Inline parameters name and functionality change.

Compatibility Considerations

Sample time propagation for `In f` rates in Simulink can differ from previous releases. If you have a model with `In f` sample times, check the sample time legend to make sure it shows the rates you expect.

To fix code generation issues from such models, fully specify the sample time. For example, specify the sample time for any Constant blocks with `In f` sample time.

Test bench performance improvements with file I/O

Infrastructure improvements in test bench generation with file I/O have improved test bench performance by reducing:

- Simulation time
- Memory use
- Code generation time

HDL Coder writes the DUT stimulus and reference data from your MATLAB or Simulink simulation to data files (.dat). During HDL simulation, the HDL test bench reads the saved stimulus from the .dat files.

To learn more about Simulink test bench generation, see [Test Bench Generation](#).

To learn more about MATLAB test bench generation, see [Test Bench Generation](#).

Compatibility Considerations

The HDL test bench code generated for a design in a previous release may differ from the code generated for the same design in the current release.

Previously, by default, DUT stimulus and reference data was generated as constants in the test bench code. To generate test bench data that used file I/O, you had to set the `UseFileIOInTestBench` property to 'on'.

The `UseFileIOInTestBench` property is now 'on' by default.

Image processing examples

Five examples of image processing and HDL code generation using Vision HDL Toolbox are added in this release.

- Gamma Correction
- Histogram Equalization
- Edge Detection and Image Overlay
- Edge Detection and Image Overlay with Impaired Frame
- Noise Removal and Image Sharpening

Speed and Area Optimizations

Quality of Results Improvement: Stream and share resources more broadly and efficiently

The streaming optimization works with:

- Subsystems that contain nested subsystems. Previously, the streamed subsystem had to be a leaf subsystem.
- A streaming factor that is divisible by vector width. Previously, the streaming factor had to be a divisor of the vector width.
- Blocks that are not supported for streaming. Instead, the optimization can work around unsupported blocks. Previously, the presence of unsupported blocks caused streaming to fail.

The resource sharing area optimization can implement shared resources at the clock rate within clock-rate pipelining regions, without using oversampling.

The resource sharing optimization can now share a subset of all the identical atomic subsystems in your design. Previously, you had to share all of the atomic subsystems, or none.

The hierarchy flattening optimization can operate on individual atomic subsystems, even if there are other identical atomic subsystems in the design.

Multiply-Add block

A new block, Multiply-Add, that performs a hardware optimized multiplication-addition operation, is available in the HDL Operations block library. Using this block can help your design map to DSPs in hardware. The resource sharing optimization can also share Multiply-Add blocks.

To learn about the Simulink behavior, see [Multiply-Add](#).

To learn about the hardware implementation and HDL block properties, see [Multiply-Add](#).

Hierarchy flattening for masked subsystems and user library blocks

For masked subsystems and user library blocks, you can flatten hierarchy to enable further speed and area optimization.

For details, see [Hierarchy Flattening](#).

Loop optimization improvement

The loop streaming implementation now uses fewer multiplexers and therefore uses less area.

Complex Gain speed optimization

Register retiming for a complex Gain block inserts a register between the multiplier and adder.

Redesigned serializer for streaming and resource sharing

The serializer used in streaming and resource sharing is redesigned as a combinational switch to use less area. It no longer uses registers in its implementation.

Tapped Delay optimization

The Tapped Delay block is supported for streaming, retiming, and floating-point library mapping. It also no longer inhibits clock-rate pipelining.

IP Core Generation and Hardware Deployment

Tunable Parameters: Map to AXI4 interfaces to enable hardware run-time tuning by the embedded software on the ARM processor

For Xilinx Zynq or Altera SoC hardware, you can map tunable parameters in your Simulink model to an AXI4, AXI4-Lite, or external interface in the generated IP core. You can then use the embedded software to dynamically tune the parameter in hardware.

You can also map tunable parameters to the PCI interface in the Simulink Real-Time FPGA I/O workflow.

The HDL Workflow Advisor Target Platform Interface Table shows tunable parameters in the Port Name column. You can map each tunable parameter to a target platform interface as you can with any DUT port.

To make a tunable parameter available for mapping to a target interface, use it in a Gain, Constant, or MATLAB Function block.

End-to-end scripting from design through IP core generation, FPGA Turnkey, and generic ASIC/FPGA workflows

You can use the HDL Workflow Command Line Interface (CLI) to script the entire generic ASIC/FPGA, IP core generation, and FPGA Turnkey workflows.

The simplest way to create the script is to configure your design using the HDL Workflow Advisor, generate a target hardware bitstream or project from your Simulink model, then export a script. You can run the exported script, which contains HDL Workflow CLI commands, to replicate your HDL Workflow Advisor settings and generate the same target hardware bitstream or project.

For details, see Run HDL Workflow with a Script.

Synthesis objective for synthesis tool target optimization

You can specify a high-level synthesis objective that maps to your third-party synthesis tool can use to optimize the target hardware. The following high-level synthesis objectives

are available from the HDL Workflow Advisor and the HDL Workflow Command Line Interface:

- Area Optimized
- Compile Optimized
- Speed Optimized
- None (default)

For details about how the synthesis objective maps to Tcl commands, see [Synthesis Objective to Tcl Command Mapping](#).

AXI4-Stream vector interface

In the hardware-software codesign workflow, for streaming applications, you can use vector ports to connect the hardware DUT to the rest of the model. With an Embedded Coder license, you can then generate a software interface model that includes the embedded software DMA driver block for the generated IP core.

In the hardware DUT, connect the top-level input and output vector ports to Serializer1D and Deserializer1D blocks. HDL Coder detects this modeling pattern, and generates a software interface model that replaces the Serializer1D, Deserializer1D, and DUT.

For details, see [Model Design for AXI4-Stream Interface Generation](#).

Connect IP core with other IP blocks in custom reference designs

Using the `hdlcoder.ReferenceDesign.addInternalIOInterface` method, you can define a connection between your generated IP core and other IP in a custom reference design. You can use this method for Altera Quartus II, Xilinx Vivado, and Xilinx ISE hardware targets.

Kintex UltraScale and Virtex UltraScale device family support in generic ASIC/FPGA and IP core generation workflows

In the generic ASIC/FPGA workflow and IP core generation workflow, you can target Xilinx Kintex® UltraScale and Virtex UltraScale devices.

R2015a

Version: 3.6

New Features

Bug Fixes

Compatibility Considerations

Model and Architecture Design

Localized control using pragmas for pipelining, loop streaming, and loop unrolling in MATLAB code

You can use pragmas in your MATLAB code to specify pipelining, loop streaming, and loop unrolling optimizations for specific operations.

For a loop statement, you can use `coder.hdl.loopspec` to specify loop unrolling or loop streaming.

For an operation or expression, you can use `coder.hdl.pipeline` to insert one or more pipeline registers.

The following example shows how to use these two pragmas:

```
function y = hdltest(x)
    pv = uint8(1);
    pv = coder.hdl.pipeline(pv + x, 4);

    y = uint8(zeros(1,10));

    coder.hdl.loopspec('stream', 5);
    for i = 1:10
        y(i) = pv + i;
    end
end
```

To learn more, see:

- Pipeline MATLAB Expressions
- Optimize MATLAB Loops

Compatibility Considerations

If you have a model that uses the VariablesToPipeline HDL block property, or a MATLAB design that uses the HDL Workflow Advisor **Pipeline variables** field, the software displays a warning when you generate code.

Replace instances of Variables ToPipeline or **Pipeline variables** with `coder.hdl.pipeline`. VariablesToPipeline and **Pipeline variables** will be removed in a future release.

Model templates for HDL code generation

Model templates are available for you to use when designing a model for HDL code generation. These model templates show design patterns for using Simulink blocks to model hardware and generate efficient HDL code.

For example, the Simulink Template Gallery contains model templates for ROM, state machines, shift registers, and multipliers that map to DSP48s.

To view the HDL Coder model templates, open the Simulink Library Browser, click the New Model button arrow, and select **From Template**. In the Simulink Template Gallery, browse to the HDL Coder folder.



For more information, see [Simulink Templates For HDL Code Generation](#).

Tunable parameter data type and model reference support enhancements

You can generate a DUT port for tunable parameters that have the following data types:

- Complex
- Vector
- Structure
- Enumeration

You can also generate a DUT port for tunable parameters when your DUT is a model reference.

To learn how to generate code for tunable parameters, see [Generate DUT Ports For Tunable Parameters](#).

Include custom or legacy code using DocBlock

You can integrate custom or legacy HDL code into your design with a black box subsystem that contains DocBlock.

In the DocBlock HDL Block Properties dialog box, set **Architecture** to HDLText and **TargetLanguage** to your target HDL language. Specify the interface to your custom code by customizing the black box subsystem interface.

For details, see [Integrate Custom HDL Code Using DocBlock](#).

Single library for VHDL code generated from model references

You can generate VHDL code for model references in your design into a single library. To generate code into a single library, set the `UseSingleLibrary` property to on using `makehdl` or `hdlset_param`.

Timing controller architecture and postfix options in Configuration Parameters dialog box and HDL Workflow Advisor

You can specify the timing controller architecture and timing controller postfix in the Configuration Parameters dialog box and HDL Workflow Advisor, from both Simulink and MATLAB.

You can also specify these timing controller options at the command line.

Functionality Being Removed or Changed

Functionality	What Happens When You Use This Functionality	Use This Functionality Instead	Compatibility Considerations
AlteraBlackBox architecture for Subsystem block	The software displays an error.	Create an Altera DSP Builder Subsystem	Replace all instances of AlteraBlackBox with Module, and follow the procedure in Create an Altera DSP Builder Subsystem.
XilinxBlackBox architecture for Subsystem block	The software displays an error.	Create a Xilinx System Generator Subsystem	Replace all instances of XilinxBlackBox with Module, and follow the procedure in Create a Xilinx System Generator Subsystem.

Functionality	What Happens When You Use This Functionality	Use This Functionality Instead	Compatibility Considerations
VariablesToPipeline block property or Pipeline variables field	Still runs.	coder.hdl.pipeline	Replace all instances of VariablesToPipeline or Pipeline variables with coder.hdl.pipeline. See “Localized control using pragmas for pipelining, loop streaming, and loop unrolling in MATLAB code” on page 11-2.

Block Enhancements

Enumeration support at DUT ports

You can use enumerated data at the top-level DUT ports for your design, whether the DUT is a MATLAB design function, or a Simulink subsystem or model reference.

Map to multiple RAM banks

You can map an `hdl.RAM System` object in your MATLAB code to multiple RAM banks.

If you specify vector inputs to the `step` method, the `hdl.RAM` maps to RAM banks. The number of RAM banks is the same as the number of elements in each input vector.

Code generation for bus output from Bus Selector and Constant blocks

You can generate code for:

- Bus Selector with **Output as bus** enabled.
- Constant with **Output data type** set to Bus.

Initial condition for Deserializer1D

For the Deserializer1D block, you can specify the **Initial condition**.

Block support enhancements

Additional Simulink block features are supported for HDL code generation:

- Delay with delay length of 0
- Delay with **Show enable port** enabled
- Dot Product within a delay balancing region
- Model reference block Description field maps to a comment
- Deserializer1D and Serializer1D support enumeration data.

Code generation for predefined System objects in MATLAB System block

You can generate code for the following predefined System objects when you use them in a MATLAB System block:

- `hdl.RAM`
- `comm.HDLCRCDetector`
- `comm.HDLCRCGenerator`
- `comm.HDLRSDecoder`
- `comm.HDLRSEncoder`
- `dsp.DCBlocker`
- `dsp.HDLComplexToMagnitudeAngle`
- `dsp.HDLFFT`
- `dsp.HDLIFFT`
- `dsp.HDLNCO`

Specify filter coefficients using a System object

For Biquad Filter, FIR Decimation, FIR Interpolation, CIC Decimation, and CIC Interpolation blocks, HDL code generation is supported for **Coefficient source** set to **System object**. These blocks and objects are available in DSP System Toolbox.

Libraries for HDL-supported DSP System Toolbox and Communications Toolbox blocks

Find blocks that support HDL code generation, in the 'DSP System Toolbox HDL Support' and 'Communications System Toolbox HDL Support' libraries, in the Simulink library browser. Alternately, you can type `dsphdllib` and `commhdllib` at the MATLAB command prompt to open these libraries.

The blocks in `dsphdllib` and `commhdllib` have their parameters set for HDL code generation.

Support for image processing, video, and computer vision designs in new Vision HDL Toolbox product

Vision HDL Toolbox provides pixel-streaming algorithms for the design and implementation of vision systems on FPGAs and ASICs. It provides a design framework that supports a diverse set of interface types, frame sizes, and frame rates, including high-definition (1080p) video. The image processing, video, and computer vision algorithms in the toolbox use an architecture appropriate for HDL implementations.

The toolbox algorithms are designed to generate readable, synthesizable code in VHDL and Verilog (with HDL Coder). The generated HDL code can process 1080p60 in real time.

Toolbox capabilities are available as MATLAB System objects and Simulink blocks.

See Vision HDL Toolbox

Support for 'inherit via internal rule' data type setting on FIR Decimation and Interpolation blocks

FIR Decimation and FIR Interpolation blocks now support HDL code generation with data types specified by **Inherit via internal rule**. These blocks are available in DSP System Toolbox.

Code Generation and Verification

Coding standard check for X and Z constants

When you enable the **Industry** coding standard, HDL Coder checks for unknown or high-impedance constants in your design. If your design uses these constants, the coder displays a warning.

For VHDL, the coder checks for X, Z, U, W, H, L, and -. For Verilog, the coder checks for X and Z.

Coding style improvements

The generated code has the following coding style improvements:

- Stateflow charts for Moore machines generate code that follows the coding style guidelines from Altera and Xilinx. Open the `hdlcoder_fsm_mealy_moore` model to see an example of a Moore chart that generates this style of HDL code.
- Comments for a Simulink block appear with the main body of the associated generated code.
- For Unit Delay Resettable, Unit Delay Enabled Resettable, and Delay with **External reset** set to Level, the reset signal is applied within the clocked region for better synthesis results.
- Fewer temporary variables for improved multiplier mapping and readability.
- Expressions of the form $(a+1) - 1$ are reduced to a .
- One-line boolean expressions are generated when they can replace if-else statements.
- Verilog code generated for arrays of constants is more compact. The number of lines of generated code is reduced by 50%.

Example HDL implementation of LTE OFDM modulator and detector with LTE Toolbox

The Verification of HDL Implementation of LTE OFDM Modulator and Detector example uses Simulink blocks that support HDL code generation to implement a hardware-friendly LTE Orthogonal Frequency Division Multiplexing (OFDM) modulator and detector. Running this example requires LTE Toolbox™.

Speed and Area Optimizations

Critical path estimation without running synthesis

Critical path estimation helps you to find the timing critical path in your design without running third-party synthesis tools.

If you enable critical path estimation when you generate code, HDL Coder computes the timing critical path and generates a script that highlights the estimated critical path in the generated model.

To find your estimated critical path, in **HDL Workflow Advisor > HDL Code Generation > Set Code Generation Options > Set Basic Options**, select **Generate high-level timing critical path report**.

The estimated critical path is calculated using static timing analysis. In the current release, the timing data for each block is based on Xilinx Virtex-7, speed grade -1 hardware.

If a block in your design does not have timing data, the coder generates a second block highlighting script. To see the uncharacterized blocks in your design, click the script link displayed in the MATLAB command window or HDL Workflow Advisor **Result** pane.

For more information, see Find Estimated Critical Paths Without Synthesis Tools.

Clock-rate pipelining enhancements

The following clock-rate pipelining enhancements are available:

- MATLAB Function blocks that do not have state can be pipelined at the clock rate.
- DUT output ports can be pipelined at the clock rate. In the Simulink HDL Workflow Advisor **Optimizations** tab, enable the **Allow clock-rate pipelining of DUT output ports** option, or set the `ClockRatePipelineOutputPorts` property to on.
- HDL Coder generates a MATLAB script that highlights blocks that are inhibiting clock-rate pipelining. You can run the script by clicking the associated link the optimization report.

Partitioning for large multipliers to improve clock frequency and DSP reuse on the FPGA

You can partition large multipliers by specifying a maximum multiplier bit width for your design.

To specify the maximum multiplier bit width, in the HDL Workflow Advisor **Optimization** tab, for **Multiplier partitioning threshold**, enter an integer value greater than or equal to 2. See also `MultiplierPartitioningThreshold`.

Highlighting for blocks in the model that prevent retiming

With distributed pipelining, HDL Coder generates a MATLAB script that highlights blocks that are inhibiting the optimization, and displays messages for highlighted blocks that describe why the block is inhibiting the optimization. The script highlights blocks in your original model and generated model.

To run the highlighting script, click the associated link in optimization report.

Script generation is on by default. You can disable script generation by setting the `DistributedPipeliningBarriers` property to off with `makehdl` or `hdlset_param`.

Resource sharing for adders and more control over shareable resources

You can now specify the types of blocks or operations to share in the parts of your design that have resource sharing enabled. You can enable or disable resource sharing for adders, multipliers, atomic subsystems, and MATLAB Function blocks.

You can also specify minimum bit widths for shared adders and multipliers.

Speed and area optimizations for designs that use Unit Delay Enabled, Unit Delay Resettable, and Unit Delay Enabled Resettable

You can use speed and area optimizations in designs that contain Unit Delay Enabled, Unit Delay Resettable, and Unit Delay Enabled Resettable blocks. For example, you can use the following optimizations:

- Resource sharing
- Streaming
- Distributed pipelining or retiming
- Input, output, and constrained output pipelining
- Clock-rate pipelining

Resource sharing for multipliers and adders with input data types in different order

You can share multipliers or adders when their input ports have the same data types, but in a different order. For example, you can share the following two multipliers:

- Multiplier A, with `uint8` data on port X and `uint16` data on port Y.
- Multiplier B, with `uint16` data on port X and `uint8` data on port Y.

Vector streaming for MATLAB code

When the loop streaming optimization is enabled in MATLAB code, HDL Coder applies the streaming optimization to vector operations to minimize multiplexer and register usage.

The following types of vector operations benefit from vector streaming:

- Single vector operations.

For example:

```
y = u .* v;
```

- Chained vector operations.

For example:

```
t = u .* v;  
y = t + w;
```

- Chained vector operations across a persistent variable.

For example:

```
persistent acc;  
if isempty(acc)
```

```
    acc = uint16(zeros(size(u)));  
end  
  
t = u .* v;  
acc = t + acc;  
y = acc;
```

IP Core Generation and Hardware Deployment

Mac OS X platform support

You can install and run HDL Coder to generate code on the 64-bit Mac OS X platform.

AXI4-Stream interface generation for Xilinx Zynq IP core

You can generate an IP core with an AXI4-Stream interface when you target the Xilinx Zynq-7000 platform and your synthesis tool is Xilinx Vivado.

For an example that shows how to generate an HDL IP core with an AXI4-Stream interface, see [Getting Started with AXI4-Stream Interface in Zynq Workflow](#).

Custom reference design and custom SoC board support

You can now define a custom SoC board or a custom reference design.

In the HDL Workflow Advisor, you can generate an IP core for a custom board, insert it into a custom reference design, and generate an FPGA bit stream for the SoC hardware.

To learn more about defining and registering a custom board or custom reference design, see:

- [Board and Reference Design Registration System](#)
- [Register a Custom Board](#)
- [Register a Custom Reference Design](#)

For an example, see [Define and Register Custom Board and Reference Design for SoC Workflow](#).

Automatic iterative optimization for IP core generation and FPGA Turnkey workflows

After you achieve your clock frequency target using automatic iterative optimization, you can generate a custom IP core or use the FPGA Turnkey workflow with the optimized design.

Speedgoat IO331-6 digital I/O interface target

When you target the Speedgoat IO331-6 board, in the HDL Workflow Advisor **Target platform interface table**, you can select TTL I/O Channel [0:15] to connect your design interface to digital I/O pins.

IP core settings saved with model

For the IP core generation workflow, when you specify IP core settings, HDL Coder saves the information with your model. The following HDL Workflow Advisor fields are saved with the model as HDL block properties of the DUT block.

HDL Workflow Advisor field	HDL Block Property
IP core name	IPCoreName
IP core version	IPCoreVersion
Additional source files	IPCoreAdditionalFiles
Processor/FPGA synchronization	ProcessorFPGASynchronization

For the DUT block, you can set and view **IPCoreName**, **IPCoreVersion**, **IPCoreAdditionalFiles**, and **ProcessorFPGASynchronization** with the HDL Block Properties dialog box or `hdlset_param` and `hdlget_param`. To learn more about the block properties, see Atomic Subsystem or Subsystem

For an example that shows how to configure target hardware settings in your model, see Save Target Hardware Settings in Model.

Updates to supported software

HDL Coder has been tested with:

- Xilinx Vivado Design Suite 2014.2
- Altera Quartus II 14.0

For a list of supported third-party tools and hardware, see Supported Third-Party Tools and Hardware.

R2014b

Version: 3.5

New Features

Bug Fixes

Compatibility Considerations

Model and Architecture Design

Custom or legacy HDL code integration in the MATLAB to HDL workflow

You can use a black box System object, `hdl.BlackBox`, to integrate custom HDL code into your design in the MATLAB to HDL workflow. For example, you can integrate handwritten or legacy HDL code that you previously generated from MATLAB code or a Simulink model.

For an example that shows how to use `hdl.BlackBox`, see [Integrate Custom HDL Code Into MATLAB Design](#).

Model reference as DUT for code generation

You can directly generate code for a model reference, without placing it in a Subsystem block. Previously, the code generation DUT had to be a Subsystem block.

Tunable parameter support for Gain and Constant blocks

The coder generates a top-level DUT port for each tunable parameter in your DUT that you use as the **Gain** parameter in a Gain block, or the **Constant value** parameter in a Constant block.

For details, see [Generate Code For Tunable Parameters](#).

Code generation for Stateflow active state output

If you enable active state output to show child activity or leaf state activity for a Stateflow block, the coder generates code for the active state output. See [Active State Output](#).

Clock enable minimization for code generated from MATLAB designs

You can minimize clock enable logic in your generated code by setting the `MinimizeClockEnables` property of the `coder.HdlConfig` object to `true`, or by enabling the **Minimize clock enables** option in the HDL Workflow Advisor.

For details, see Minimize Clock Enables.

HDL Block Properties dialog box shows only valid architectures

For each block supported for code generation, the HDL Block Properties dialog box **Architecture** drop-down list shows only the architectures that are valid for the block based on mask parameter settings. Previously, all architectures were available for selection regardless of mask parameter settings, and invalid settings caused errors during code generation.

2-D matrix types in HDL generated for MATLAB matrices

When you have matrices in your MATLAB code, you can generate 2-D matrices in HDL code. By default, the software generates HDL vectors with additional index computation logic, which can use more area in the synthesized hardware than HDL matrices.

To generate 2-D matrix types in HDL in the MATLAB to HDL workflow:

- In the HDL Workflow Advisor, in the **HDL Code Generation > Coding Style** tab, select **Use matrix types in HDL code**.
- At the command line, set the `UseMatrixTypesInHDL` property of the `coder.HdlConfig` object to `true`.

Previously, 2-D matrix types could be generated in HDL for the Simulink MATLAB Function block, but not in the MATLAB to HDL workflow.

Block Enhancements

Code generation for HDL optimized FFT/IFFT System object and HDL optimized Complex to Magnitude-Angle System object and block

You can generate code for the `dsp.HDLFFT` and `dsp.HDLIFFT` System objects, Complex to Magnitude-Angle HDL Optimized block, and `dsp.ComplexToMagnitudeAngle` System object, which are available in the DSP System Toolbox.

Added features to HDL optimized FFT/IFFT blocks, including reduced latency

For details of the updates to the FFT HDL Optimized and IFFT HDL Optimized blocks, see the DSP System Toolbox release notes.

Compatibility Considerations

The FFT HDL Optimized and IFFT HDL Optimized blocks take fewer cycles to compute one frame of output than in previous releases. For instance, for the default 1024-point FFT, the latency in R2014a was 1589 cycles whereas in R2014b the latency is 1148. The latency is displayed on the block icon.

If you have manually matched latency paths in models using the R2014a version of the FFT HDL Optimized and IFFT HDL Optimized block, adjust the delay on those paths to accommodate the lower FFT latency.

HDL Reciprocal block with Newton-Raphson Implementation

The HDL Reciprocal block is available with Simulink. Use this block to implement division operations in models intended for HDL code generation. HDL Reciprocal has two Newton-Raphson HDL implementations, `ReciprocalNewton` and `ReciprocalNewtonSingleRate`. The new implementations use fewer hardware resources and can achieve higher clock frequency than Divide or Math Function HDL block implementations.

For the Divide and Math Function blocks, the names of the Newton-Raphson HDL block implementations have changed:

- `RecipNewton` is now `ReciprocalRsqrBasedNewton`.
- `RecipNewtonSingleRate` is now `ReciprocalRsqrBasedNewtonSingleRate`.

If you open a model from a previous release, HDL Coder automatically maps the `RecipNewton` and `RecipNewtonSingleRate` implementation names to `ReciprocalRsqrBasedNewton` and `ReciprocalRsqrBasedNewtonSingleRate`, respectively.

To learn about the HDL Reciprocal block, see [HDL Reciprocal](#).

To learn about the `ReciprocalNewton` and `ReciprocalNewtonSingleRate` implementations, see [HDL Reciprocal](#).

Serializer1D and Deserializer1D blocks

The following new blocks are available from the HDL Operations library for simulation and code generation:

- `Serializer1D`
- `Deserializer1D`

Additional blocks supported for code generation

The following blocks are now supported for code generation:

- Backlash
- Bus assignment
- Coulomb and Viscous Friction
- DC Blocker
- Dead Zone/Dead Zone Dynamic
- Discrete PID Controller
- Hit Crossing
- HDL Reciprocal
- `Serializer1D/Deserializer1D`
- Wrap to Zero

Composite user-defined System object support

You can generate code for user-defined System objects that contain child user-defined System objects.

System object output and update method support

You can generate code for the output and update methods in user-defined System objects that inherit from the `matlab.system.mixin.Nondirect` class.

hdlram renamed to hdl.RAM

The `hdlram` System object has been renamed to `hdl.RAM` and is now available with MATLAB. Previously, `hdlram` required a Fixed-Point Designer license.

Compatibility Considerations

If you open a design that uses `hdlram`, the software displays a warning. For continued compatibility with future releases, replace instances of `hdlram` with `hdl.RAM`.

Functionality Being Removed or Changed

Functionality	What Happens When You Use This Functionality	Use This Functionality Instead	Compatibility Considerations
HDL Streaming FFT	Still runs. The block is forwarded from <code>hlddemolib</code> to <code>dsp.obsolete</code> .	FFT HDL Optimized block, which is available in the DSP System Toolbox.	This block will be removed in a future release.
HDL FFT	Still runs. This block is renamed "HDL Minimum Resource FFT". It is forwarded from <code>hlddemolib</code> to <code>dsp.obsolete</code> .	FFT HDL Optimized block, which is available in the DSP System Toolbox.	This block will be removed in a future release.

Code Generation and Verification

Coding standards customization

If you enable HDL coding standard rule checking, you can enable or disable specific rules. You can specify rule parameters. For example, you can specify the maximum nesting depth for if-else statements. See HDL Coding Standard Customization.

HDL Designer script generation

You can now generate a lint tool script for Mentor Graphics® HDL Designer.

To learn about HDL lint script generation for your Simulink design, see Generate an HDL Lint Tool Script.

To learn about HDL lint script generation for your MATLAB design, see Generate an HDL Lint Tool Script.

Traceable names for RAM blocks and port signals

When you generate code for a RAM block from the HDL Operations library, the name in the generated code reflects the name in the model. Similarly, port signal names in the generated code are inherited from your model.

For each RAM block of a particular size, the coder generates an HDL module. The module file name reflects the name and size of the RAM block or persistent variable in your design.

For example, suppose `DPRAM_foo` is the name of a Dual Port RAM block in your model. The generated code for the instance is:

```
u_DPRAM_foo : DualPortRAM_Wrapper_256x8b
```

The RAM module name and wrapper name also match the name of the Simulink block:

```
DualPortRAM_256x8b.vhd  
DualPortRAM_Wrapper_256x8b.vhd
```

for-generate statements in generated VHDL code

When you generate VHDL code for block architectures that use replicated structures, the coder generates `for-generate` statements for better readability. For example, VHDL code generated for the Add and Product blocks uses `for-generate` statements.

Validation model generation regardless of delay balancing results

When you enable the **Generate validation model** option, HDL Coder generates the validation model even if delay balancing is unsuccessful. In previous releases, if delay balancing was unsuccessful, the coder did not generate the validation model.

Speed and Area Optimizations

Clock-rate pipelining to optimize timing in multi-cycle paths

In the Simulink to HDL workflow, for speed optimizations that insert pipeline registers, the coder identifies multi-cycle paths in your design and inserts pipeline registers at the clock rate instead of the data rate. When the optimization is in a slow-rate region or multi-cycle path of the design, clock rate pipelining enables the software to perform optimizations without adding extra latency, or by adding minimal latency. It also enables optimizations such as pipelining and floating-point library mapping inside feedback loops.

Clock-rate pipelining is enabled by default. You can disable clock-rate pipelining in one of the following ways:

- In the HDL Workflow Advisor, in the **HDL Code Generation > Set Code Generation Options > Set Advanced Options > Optimization** tab, select **Clock-rate pipelining**.
- At the command line, use `makehdl` or `hdlset_param` to set the `ClockRatePipelining` parameter to `off`.

For details, see [Clock-Rate Pipelining](#).

RAM mapping for user-defined System object private properties

Private properties in user-defined System objects can map to RAM. For details, see [Implement RAM Using a Persistent Array or System object Properties](#).

Highlighting for feedback loops that inhibit optimizations

You can generate a MATLAB script that highlights feedback loops that may inhibit delay balancing or speed and area optimizations. The script highlights feedback loops in your original model and generated model.

You can also save the highlighting information in a MATLAB script.

For details, see [Find Feedback Loops](#).

Optimizations available for conditional-execution subsystems

The following optimizations are now supported for enabled subsystems and triggered subsystems:

- Resource sharing
- Streaming
- Constrained overclocking
- Floating-point library mapping
- Hierarchy flattening
- Delay balancing
- Automatic iterative optimization

Variable pipelining in conditional MATLAB code

HDL code generation now supports variable pipelining inside conditional MATLAB code for the MATLAB to HDL workflow and the MATLAB Function block in the Simulink to HDL workflow.

Optimizations available with UseMatrixTypesInHDL for MATLAB Function block

When you enable 2-D matrix types in the generated HDL code, for the MATLAB to HDL workflow and Simulink to HDL workflow, speed and area optimizations are available. Previously, for the MATLAB Function block, the `UseMatrixTypesInHDL` parameter was incompatible with speed and area optimizations.

IP Core Generation and Hardware Deployment

Support for Xilinx Vivado

The HDL Coder software is now tested with Xilinx Vivado Design Suite 2013.4. You can:

- Generate a custom IP core for the Zynq-7000 platform and automatically integrate it into a Vivado project for use with IP Integrator.
- Program FPGA hardware supported by Vivado using the HDL Workflow Advisor.
- Perform back-annotation analysis of your design.
- Generate synthesis scripts.

IP core generation for Altera SoC platform

You can generate a custom IP core with an AXI4 interface for the Altera SoC platform.

HDL Coder can also insert your custom IP core into a predefined Qsys project to target the Altera Cyclone V SoC development kit or Arrow SoCKit development board. The coder can connect the IP core to the ARM processor via the AXI interface within the project.

The software provides add-on support for Altera SoC hardware via the HDL Coder Support Package for Intel SoC Devices. For more details, see HDL Coder Support Package for Altera SoC Platform.

Custom HDL code for IP core generation from MATLAB

You can integrate custom HDL code, such as handwritten or legacy HDL code, into your design in the MATLAB to HDL IP core generation workflow. Use one or more `hdl.BlackBox` System objects in your MATLAB design, and add the HDL source files in the **Additional source files** field.

To learn how to use the **Additional source files** field, Generate a Board-Independent IP Core from MATLAB.

Target platform interface mapping information saved with model

For the IP core generation workflow, FPGA turnkey workflow, or Simulink Real-Time FPGA I/O workflow, when you map each of your DUT top-level ports to a platform

interface, HDL Coder saves the interface mapping information as port properties in your model. The coder also saves workflow and target platform information with the model.

For DUT Inport and Outport blocks, you can set and view **IOInterface** and **IOInterfaceMapping** with the HDL Block Properties dialog box or `hdlset_param` and `hdlget_param`.

For an example that shows how to configure target platform interface settings, see <https://www.mathworks.com/help/releases/R2014b/hdlcoder/examples/save-target-hardware-settings-in-model.html>.

Documentation installation with hardware support package

Starting in R2014b, each hardware support package that you install comes with its own documentation. For a list of support packages available for HDL Coder, with links to documentation, see HDL Coder Supported Hardware.

R2014a

Version: 3.4

New Features

Bug Fixes

Compatibility Considerations

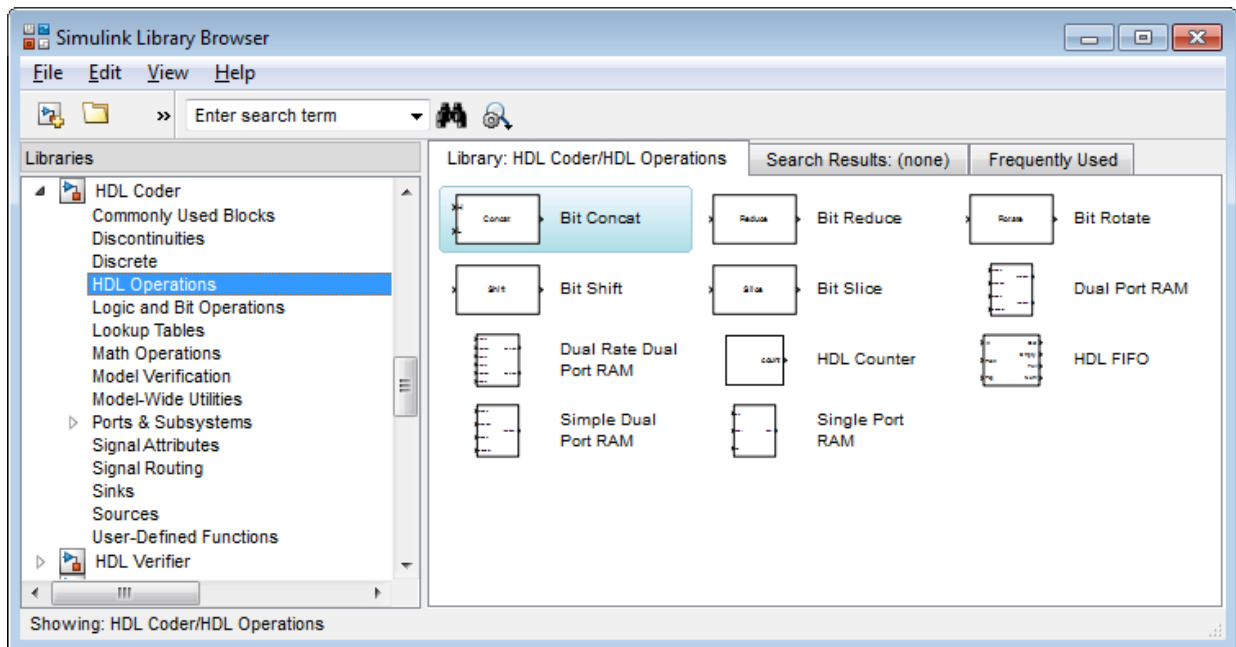
Model and Architecture Design

HDL block library in Simulink

The HDL Coder library, which contains blocks supported for HDL code generation, is available in Simulink. When you create a model using the HDL Coder library, the blocks are preconfigured with settings suitable for code generation.

The HDL Operations library, previously called `hdldemo.lib`, is available in Simulink as part of the HDL Coder library. Previously, the HDL Operations blocks were available only with an HDL Coder license.

To view the HDL Operations block library from the Simulink Library Browser, open the **HDL Coder** folder and select **HDL Operations**.



Persistent keyword not needed in HDL code generation

If your MATLAB code includes a System object that does not have states, you do not need to include the persistent keyword for HDL code generation.

For details, see Limitations of HDL Code Generation for System Objects.

Negative edge clocking

You can clock your design on the falling edge of the clock.

To generate code that clocks your design on the negative edge of the clock, in the Configuration Parameters dialog box, for **HDL Code Generation > Global Settings > Clock Edge**, select **Falling edge**.

Alternatively, at the command line, set the ClockEdge property to 'Falling' using makehdl or hdlset_param.

For details, see ClockEdge.

Bidirectional port specification

You can specify bidirectional ports for Subsystem blocks that have Architecture set to BlackBox. In the FPGA Turnkey workflow, you can use the bidirectional ports to connect to external RAM.

In the generated code, the ports have the Verilog or VHDL inout keyword. However, Simulink does not support bidirectional ports, so you cannot simulate the bidirectional behavior in Simulink.

To learn more, see Specify Bidirectional Ports.

Port names in generated code match signal names

You can use the **Icon display** block parameter on Inport and Outport blocks to make your code more readable. When you set the **Icon display** parameter to **Signal name, Port number**, or **Port number and signal name**, the port names in the generated code match the display names of the connected signals.

ModelReference default architecture for Model block

The Model block default architecture is ModelReference. Previously, the default architecture was BlackBox.

Compatibility Considerations

When you open a model created in a previous release, a Model block in that design changes architecture from BlackBox to ModelReference if all the HDL block properties are set to default settings.

To keep the BlackBox architecture for Model blocks, use one of the following workarounds:

- Open the model using the current release, specify the BlackBox architecture for the affected Model blocks, and save the model.
- Open the model using a previous release, specify a nondefault setting for each Model block, and save the model.

Reset for timing controller

You can generate a reset port for the timing controller, which generates the clock, clock enable, and reset signals in a multirate DUT.

To generate a reset port for the timing controller, set the TimingControllerArch property to `resettable` using `makehdl` or `hdlset_param`.

To learn more, see [Generate Reset for Timing Controller](#).

Reset port optimization

The coder does not generate a top-level reset port when the code generation subsystem does not contain resettable delays or blocks.

To generate code without a top-level reset port:

- Set the ResetType HDL block parameter to `none` for all blocks in the DUT with the ResetType parameter.
- For MATLAB Function blocks in your DUT, do not enable block level HDL optimizations, which insert resettable registers.

For details, see `ResetType`.

Functionality Being Removed or Changed

You cannot save a model that uses an attached control file to apply HDL model or block parameters.

Since the R2010a release, if you open a model that uses a control file, the software shows a warning, and updates the model by applying the HDL parameters to your model and removing the control file. For continued compatibility with future releases, save the updated model.

Functionality	What Happens When You Use This Functionality	Use This Instead	Compatibility Considerations
<code>hdlapplycontrolfile</code>	Still runs	<code>hdlset_param</code> , <code>hdlget_param</code>	Do not use control files for model or block configuration. Instead, use <code>hdlset_param</code> and <code>hdlget_param</code> to configure your model.
<code>hdlnewblackbox</code>	Still runs	<code>hdlset_param</code> , <code>hdlget_param</code>	Do not use control files for model or block configuration. Instead, use <code>hdlset_param</code> and <code>hdlget_param</code> to configure your model.

Functionality	What Happens When You Use This Functionality	Use This Instead	Compatibility Considerations
hdlnewcontrol	Still runs	hdlset_param, hdlget_param	Do not use control files for model or block configuration. Instead, use hdlset_param and hdlget_param to configure your model.
hdlnewcontrolfile	Still runs	hdlset_param, hdlget_param	Do not use control files for model or block configuration. Instead, use hdlset_param and hdlget_param to configure your model.
hdlnewforeach	Still runs	hdlset_param, hdlget_param	Do not use control files for model or block configuration. Instead, use hdlset_param and hdlget_param to configure your model.

Block Enhancements

Code generation for enumeration data types

You can generate code for Simulink, MATLAB, or Stateflow enumerations within your design. In the current release, you cannot generate code if your design uses enumerations at the top-level DUT ports.

To learn more about code generation support for enumerations in Simulink designs, see [Enumerations](#).

To learn more about code generation support for enumerations in MATLAB designs, see [Data Types and Scope](#).

Code generation for FFT HDL Optimized and IFFT HDL Optimized blocks

You can generate code for the FFT HDL Optimized and IFFT HDL Optimized blocks, which are available in the DSP System Toolbox.

Bus support improvements

You can generate code for designs that contain:

- DUT ports connected to buses.
- Buses that are not defined with a bus object.
- Nonvirtual buses.

To learn more, see [Buses](#).

Variant Subsystem support for configurable models

You can generate code for designs containing Variant Subsystem blocks. Using Variant Subsystem blocks enables you to explore and generate code for different component implementations and design configurations.

Trigger signal can clock triggered subsystems

You can generate code that uses the trigger signals in Triggered Subsystem blocks as clocks. Using triggers as clocks enables you to partition your design into different clock regions in the generated code, but can cause a timing mismatch during testbench simulation.

For details, see [Use Trigger As Clock in Triggered Subsystems](#).

2-D matrix types in code generated for MATLAB Function block

You can now generate 2-D matrices in HDL code when you have MATLAB matrices in a MATLAB Function block. By default, the software generates HDL vectors with additional index computation logic, which can use more area in the synthesized hardware than HDL matrices.

For details, see [UseMatrixTypesInHDL](#).

64-bit data support

You can generate code for `uint64` and `int64` data types in MATLAB code, both in the MATLAB-to-HDL workflow and for the MATLAB Function block in the Simulink-to-HDL workflow.

MATLAB Function block ports must use `sfix64` or `ufix64` types for 64-bit data, because `uint64` and `int64` are not yet supported in Simulink.

HDL code generation from MATLAB System block

The MATLAB System block, which you use to include System objects in Simulink models, now supports HDL code generation.

For details, see [MATLAB System](#).

System object methods in conditional code

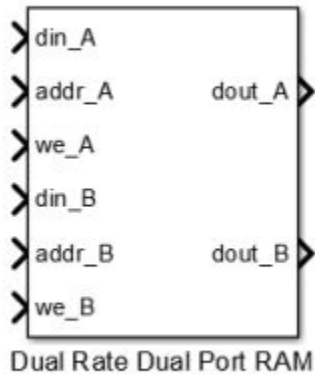
HDL code generation now supports System object `step` method calls inside conditional code regions.

Dual Rate Dual Port RAM block

A new block, Dual Rate Dual Port RAM, is available for simulation and code generation.

The Dual Rate Dual RAM supports two simultaneous read or write accesses at two Simulink rates. When you generate code, the Dual Rate Dual Port RAM block infers a dual-clock dual-port RAM in most FPGAs.

To view the block, open the HDL Operations block library.

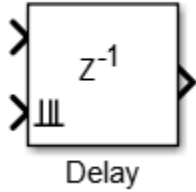


For more information about the block, see Dual Rate Dual Port RAM. For HDL code generation details, see Dual Rate Dual Port RAM.

Additional blocks and block implementations supported for code generation

The following blocks and block implementations are now supported for code generation:

- Sine, Cosine
- Enumerated Constant
- Delay with **External reset** set to Level.



- Multiport Switch with enumerated type at control input.

The HDL FIFO block no longer requires a DSP System Toolbox license. The HDL FIFO block is available in the HDL Operations library.

Code Generation and Verification

Errors instead of warnings for blocks not supported for code generation

If your design contains blocks or block architectures that are not supported for HDL code generation, the software shows an error and does not generate code. Previously, the software showed a warning, but still generated code, with black box interfaces for the unsupported blocks or block architectures.

Compatibility Considerations

If you want to generate code for models containing unsupported blocks or block architectures, you must **Comment out** the unsupported blocks in Simulink.

Ascent Lint script generation

You can now generate a lint tool script for Real Intent Ascent Lint.

To learn about HDL lint script generation for your Simulink design, see [Generate an HDL Lint Tool Script](#).

To learn about HDL lint script generation for your MATLAB design, see [Generate an HDL Lint Tool Script](#).

Incremental code generation and synthesis

In the Simulink-to-HDL workflow, and hardware-software codesign workflow, HDL Coder does not rerun code generation or synthesis tasks unless you have changed your model or other hardware-related project settings. You can save time when you want to regenerate HDL code or FPGA programming files without changing your model, code generation options, or hardware target.

Similarly, in the hardware and software codesign workflow, when you modify the embedded software part of your design without changing the hardware part, HDL Coder does not rerun HDL code generation or synthesis tasks.

When the coder skips code generation or synthesis tasks, the HDL Workflow Advisor shows a message. The message contains a link you can click to force the coder to rerun the task.

Automatic C compiler setup

In earlier releases, to set up a compiler to accelerate test bench simulation for MATLAB algorithms, you were required to run `mex -setup`. Now, the code generation software automatically locates and uses a supported installed compiler. You can use `mex -setup` to change the default compiler. See [Changing Default Compiler](#).

Speed and Area Optimizations

RAM mapping scheduler improvements

The RAM mapping scheduling algorithm now minimizes overclocking when your MATLAB code maps to multiple RAMs. In addition, multiple persistent variables with cyclic read-write dependencies can now map to RAM.

Performance-prioritized retiming

When you enable distributed pipelining, you can specify a priority for **Distributed pipelining priority: Numerical integrity**, or **Performance**. In the previous release, the distributed pipelining algorithm prioritized numerical integrity.

For details, see `DistributedPipeliningPriority`.

Retiming without moving user-created design delays

You can use the **Preserve design delays** option to prevent distributed pipelining from moving design delays in your Simulink or MATLAB design. If you specify **Preserve design delays**, distributed pipelining does not move the following design delays:

- Persistent variable in MATLAB code, a MATLAB Function block, or a Stateflow Chart
- Unit Delay block
- Integer Delay block
- Memory block
- Delay block from DSP System Toolbox
- `dsp.Delay System` object from DSP System Toolbox

For details, see `PreserveDesignDelays`.

Resource sharing factor can be greater than number of shareable resources

With the resource sharing area optimization, the software shares the maximum number of shareable resources within your overclocking constraints, even if the sharing factor that

you specify is not an integer divisor of the number of shareable resources. This capability can increase resource sharing, and therefore reduce area.

For example, if your subsystem has 11 multipliers, and you set **SharingFactor** to 4, the coder can implement your design with 3 multipliers: 2 multipliers shared 4 ways, and 1 multiplier shared 3 ways. In the previous release, the coder implemented the design with 5 multipliers: 2 multipliers shared 4 ways, and 3 unshared multipliers. The resulting implementation requires overclocking by a factor of 4.

To learn more, see [Resource Sharing For Area Optimization](#).

Reduced area with multirate delay balancing

When the coder balances delays in a multirate model, it now inserts a single delay at the transition from a much faster rate to a slow rate, and passes through the data samples aligned with the slow rate. Previously, the coder inserted a large number of delays at the faster rate.

Serializer-deserializer and multiplexer-demultiplexer optimization

The coder removes back-to-back serializer-deserializer and multiplexer-demultiplexer pairs introduced by the implementation of optimizations such as resource sharing and streaming. This results in more area-efficient HDL code.

IP Core Generation and Hardware Deployment

ZC706 target for IP core generation and integration into Xilinx EDK project

You can target the Xilinx Zynq-7000 AP ZC706 Evaluation Board for IP core generation and Xilinx EDK project integration. After you install the HDL Coder Support Package for Xilinx Zynq-7000 Platform, ZC706 hardware support is available.

Automatic iterative clock frequency optimization

You can use the `hdlcoder.optimizeDesign` function to achieve either your target clock frequency or a maximum clock frequency. Based on your clock frequency goal and target device, the software iteratively generates and synthesizes code, retrieves back annotation data, and inserts delays into your Simulink model to break the critical path.

To learn more, see Automatic Iterative Optimization.

Synthesis attributes for multipliers

You can now generate code that includes synthesis attributes to specify multipliers in your design that you want to map to DSPs or logic in hardware. If you specify resource sharing, the software does not share multipliers that have different synthesis attribute settings.

For Xilinx targets, the generated code uses the `use_dsp48` attribute. For Altera targets, the generated code uses the `multstyle` attribute.

For details, see DSPStyle.

Custom HDL code for IP core generation

You can integrate custom HDL code into your design in the Simulink-to-HDL IP core generation workflow. You can integrate handwritten or legacy HDL code into an IP core that you generate from a Simulink model.

To include custom HDL code in your IP core design, use one or more Model or Subsystem blocks with Architecture set to `BlackBox`. Use the **Additional source files** field in the HDL Workflow Advisor to specify corresponding HDL file names.

For details of the IP core generation workflow, see [Generate a Custom IP Core from Simulink](#).

Synthesis and simulation tool addition and detection after opening HDL Workflow Advisor

In the Simulink-to-HDL workflow, you can set up and add a synthesis tool without having to close and reopen the HDL Workflow Advisor. In the HDL Workflow Advisor, in the **Set Target > Set Target Device and Synthesis Tool** task, click **Refresh** to detect and add the new tool.

You can also set up and add a simulation tool after creating a MATLAB-to-HDL project without having to close and reopen the project. In the HDL Workflow Advisor, in the **HDL Verification > Verify with HDL Test Bench** task, click **Refresh list** to detect and add the new tool.

xPC Target is Simulink Real-Time

The **xPC Target FPGA I/O** workflow is now called the **Simulink Real-Time FPGA I/O** workflow. This change reflects the xPC Target™ product name change to Simulink Real-Time. For details about the product name change, see [New product that combines the functionality of xPC Target and xPC Target Embedded Option](#).

Updates to supported software

HDL Coder has been tested with:

- Xilinx ISE 14.6
- Altera Quartus II 13.0 SP1

For a list of supported third-party tools and hardware, see [Supported Third-Party Tools and Hardware](#).

R2013b

Version: 3.3

New Features

Bug Fixes

Compatibility Considerations

Model and Architecture Design

Model reference support and incremental code generation

You can generate HDL code from referenced models using the Model block. To use a referenced model in a subsystem intended for code generation, in the HDL Block Properties dialog box, set **Architecture** to **ModelReference**.

The coder incrementally generates code for referenced models according to the **Configuration Parameters dialog box > Model Referencing pane > Rebuild** options. However, the coder treats **If any changes detected** and **If any changes in known dependencies detected** as the same. For example, if you set **Rebuild** to either **If any changes detected** or **If any changes in known dependencies detected**, the coder regenerates code for referenced models only when the referenced models have changed.

To learn more, see Model Referencing for HDL Code Generation.

Code generation for subsystems containing Altera DSP Builder blocks

You can now generate HDL code for subsystems that include blocks from the Altera DSP Builder Advanced Blockset.

For details, see Create an Altera DSP Builder Subsystem.

To see an example that shows HDL code generation for an Altera DSP Builder subsystem, see Using Altera DSP Builder Advanced Blockset with HDL Coder.

Module or entity generation for local functions in MATLAB Function block

You can now generate instantiable Verilog modules or VHDL entities when you generate code for local functions in a MATLAB Function block, or for functions on your path that are called from within a MATLAB Function block.

To enable this feature, in the HDL Block Properties dialog box, set **InstantiateFunctions** to **on**. For details, see InstantiateFunctions.

Reset port optimization

The coder no longer generates a top level reset port when the `ResetType` HDL block parameter is set to `none` for all RAM blocks in the DUT.

In previous releases, the generated code included a reset port even when the RAM reset logic was suppressed.

Load constants from MAT-files

HDL Coder now generates code for the `coder.load` function, which you can use to load compile-time constants from a MAT-file. You no longer have to manually type in constants that were stored in a MAT-file.

To learn how to use `coder.load` for HDL code generation, see [Load constants from a MAT-File](#).

Block Enhancements

Code generation for user-defined System objects

You can now generate HDL code from user-defined System objects written in MATLAB. System objects enable you to create reusable HDL IP.

The `step` method specifies the HDL implementation behavior. It is the only System object method supported for HDL code generation.

User-defined System objects are not supported for automatic fixed-point conversion.

To learn how to define a custom System object, see [Generate Code for User-Defined System Objects](#).

Bus signal inputs and outputs for MATLAB Function block and Stateflow charts

MATLAB Function blocks and Stateflow charts with bus signal inputs or outputs are now supported for code generation. The bus must be defined with a bus object.

HDL Counter has specifiable start value

You can now specify a start value for the HDL Counter block. When the counter initializes or wraps around, it counts from the specified start value.

Maximum 32-bit address for RAM

For the Single Port RAM block, Simple Dual Port RAM block, Dual Port RAM block, and `hdlram` System object, the maximum address width is now 32 bits. For more information, see:

- `hdlram`
- RAM Blocks

Removing HDL Support for NCO Block

HDL support for the NCO block will be removed in a future release. Use the NCO HDL Optimized block instead.

Compatibility Considerations

In the current release, if you generate HDL code for the NCO block, a warning message appears. In a future release, any attempt to generate HDL code for the NCO block will cause an error.

Code Generation and Verification

Coding style improvements according to industry standard guidelines

The coder now follows these industry standard coding style guidelines when generating HDL code:

- Division by a power of 2 becomes a bit shift operation.
- Constants with double data types in the original design are automatically converted to their canonical fixed-point types as long as there is no loss of precision.
- SystemVerilog keywords are treated as reserved words.
- Intermediate signals and latches are reduced when **HDLCodingStandard** is set to **Industry**.
- Real data types generate warnings, except when you target an FPGA floating-point library.

Coding standard report target language enhancement and text file format

HDL Coder now generates the coding standard report according to target language. Coding standard errors, warnings, and messages that do not pertain to your target language no longer appear in the report.

The coding standard report is generated in text file format, in addition to HTML format, to enable easier comparison between multiple runs.

UI for SpyGlass, Leda, and custom lint tool script generation

You can now use the UI to generate Atrenta SpyGlass, Synopsys® Leda, or custom lint scripts in the Simulink-to-HDL and MATLAB-to-HDL workflows.

To learn about HDL lint script generation for your Simulink design, see [Generate an HDL Lint Tool Script](#).

To learn about HDL lint script generation for your MATLAB design, see [Generate an HDL Lint Tool Script](#).

File I/O to read test bench data in VHDL and Verilog

You can now specify the generated VHDL or Verilog test bench to use file I/O to read input stimulus and output response data during simulation, instead of including data constants in the test bench code. Doing so improves scalability for designs requiring long simulations and large test vectors.

This feature is available for Simulink-to-HDL and MATLAB-to-HDL code generation.

To learn about test bench generation with file I/O in the Simulink-to-HDL workflow, see [Generate Test Bench With File I/O](#).

To learn about test bench generation with file I/O in the MATLAB-to-HDL workflow, see [Generate Test Bench With File I/O](#).

Floating point for FIL and HDL cosimulation test bench generation

With the R2013b release, HDL Coder HDL workflow advisor for Simulink supports double and single data types on the DUT interface for test bench generation using HDL Verifier.

Fixed-point file name change

The suffix for generated fixed-point files is now `_fixpt`. Previously, the suffix was `_FixPt`.

Compatibility Considerations

If you have MATLAB-to-HDL projects from previous releases that depend on the generated fixed-point file name, you can use the `FixPtFileNameSuffix` property to set the suffix to `_FixPt`.

Speed and Area Optimizations

RAM inference in conditional MATLAB code

The coder now infers RAM from persistent array variables accessed within conditional statements, such as if-else or switch-case statements, for both MATLAB designs and MATLAB Function blocks in Simulink.

If you have nested conditional statements, the persistent array variables can map to RAM if accessed in the topmost conditional statement, but cannot map to RAM if accessed in a lower level nested conditional statement.

Coding style for improved ROM mapping

The coder now automatically inserts a no-reset register at the output of a constant matrix access. Many synthesis tools infer a ROM from this code pattern. For details, see [Map Matrices to ROM](#).

Pipeline registers between adder or multiplier and rounding or saturation logic

The coder now places a pipeline register between an adder or multiplier and associated rounding or saturation logic when distributing pipelining registers. This register placement can significantly improve clock frequency.

Distributed pipelining improvements with loop unrolling in MATLAB Function block

When you enable distributed pipelining for a MATLAB Function block without persistent variables, set the **Loop Optimization** option to **Unrolling** for better timing results.

IP Core Generation and Hardware Deployment

IP core integration into Xilinx EDK project for ZC702 and ZedBoard

When you generate an IP core from your MATLAB design or Simulink model, HDL Coder can automatically insert the IP core into a predefined Xilinx ZC702 or ZedBoard EDK project for the Zynq-7000 platform. The coder automatically connects the IP core to the AXI interface and ARM processor in the EDK project.

For an overview of the hardware and software codesign workflow, see [Hardware and Software Codesign Workflow](#).

For an example that shows how to deploy your MATLAB design in hardware and software on the Zynq-7000 platform, see [Getting Started with HW/SW Co-design Workflow for Xilinx Zynq Platform](#).

For an example that shows how to deploy your Simulink model in hardware and software on the Zynq-7000 platform, see [Getting Started with HW/SW Co-design Workflow for Xilinx Zynq Platform](#).

FPGA Turnkey and IP Core generation in MATLAB to HDL workflow

You can now generate a custom IP core with an AXI4-Lite or AXI4-Stream Video interface from a MATLAB design. You can integrate the generated IP core into a larger design in your Xilinx EDK project.

You can also automatically program an Altera or Xilinx FPGA development board with code generated from your MATLAB design, using the HDL Workflow Advisor FPGA Turnkey workflow. To learn how to use this workflow, see [Program Standalone FPGA with FPGA Turnkey Workflow and mlhdlc_tutorial_turnkey_led_blinking](#).

Previously, IP core generation and FPGA Turnkey were available only for the Simulink to HDL workflow.

Synthesis tool addition and detection after MATLAB-to-HDL project creation

You can now set up and add a synthesis tool after creating a MATLAB-to-HDL project without having to close and reopen the project. In the HDL Workflow Advisor, in the **Set Code Generation Target** task, click **Refresh list** to detect and add the new tool. For details, see [Add Synthesis Tool for Current MATLAB Session](#).

Synthesis script generation for Microsemi Libero and other synthesis tools

You can now generate a Microsemi Libero or custom synthesis tool script during Simulink-to-HDL and MATLAB-to-HDL code generation.

In the MATLAB-to-HDL workflow, you can now generate synthesis tool scripts customized for Xilinx ISE, Microsemi Libero, Mentor Graphics Precision, Altera Quartus II, and Synopsys Synplify Pro®. The coder populates the scripts with default options, but you can further customize the scripts as needed. In previous releases, you had to enter the synthesis tool commands manually. For details, see [Generate Synthesis Scripts](#).

Floating-point library mapping for mixed floating-point and fixed-point designs

When you enable FPGA target-specific floating-point library mapping, you can now generate code from a design containing both floating-point and fixed-point components. The coder determines whether to map to a floating-point IP block based on the data types in your model.

xPC Target FPGA I/O workflow separate from FPGA Turnkey workflow

The HDL Workflow Advisor target workflow that programs Speedgoat boards to run with xPC Target is now called the **xPC Target FPGA I/O** workflow. This workflow is separate from the FPGA Turnkey workflow for Altera and Xilinx FPGA boards.

For an example that shows how to use the xPC Target FPGA I/O workflow, see [Generate Simulink Real-Time Interface for Speedgoat Boards](#).

AXM-A75 AD/DA module for Speedgoat IO331 FPGA board

The AXM-A75 AD/DA module for Speedgoat IO331 FPGA board is now available as a hardware target for the **xPC Target FPGA I/O** workflow.

Speedgoat IO321 and IO321-5 target hardware support

The xPC Target FPGA I/O workflow now supports the Speedgoat IO321 board and its variant, Speedgoat IO321-5, as separate hardware targets. Previously, the name of the IO321-5 board was IO325.

To learn more about the IO321 and IO321-5 boards, see Speedgoat IO321.

Support package for Xilinx Zynq-7000 platform

Generate a custom IP core for the ZC702 or ZedBoard on the Xilinx Zynq-7000 platform using the IP core generation workflow.

To install this support package for MATLAB-to-HDL code generation:

- 1 In the HDL Workflow Advisor, in the **Select Code Generation Target** task, set **Workflow** to **IP Core Generation**.
- 2 For **Platform**, select **Get more**.
- 3 Use Support Package Installer to install the HDL Coder Support Package for Xilinx Zynq-7000 Platform.

To install this support package for Simulink-to-HDL code generation:

- 1 In the HDL Workflow Advisor, in the **Set Target > Set Target Device and Synthesis Tool** task, set **Target workflow** to **IP Core Generation**.
- 2 For **Target platform**, select **Get more**.
- 3 Use Support Package Installer to install the HDL Coder Support Package for Xilinx Zynq-7000 Platform.

Support package for Altera FPGA boards

Program Altera FPGA boards with your generated HDL code using the FPGA Turnkey workflow.

To install this support package for MATLAB-to-HDL code generation:

- 1 In the HDL Workflow Advisor, in the **Select Code Generation Target** task, set **Workflow** to **FPGA Turnkey**.
- 2 For **Platform**, select **Get more boards**.
- 3 Use Support Package Installer to install the HDL Coder Support Package for Altera FPGA Boards.

To install this support package for Simulink-to-HDL code generation:

- 1 In the HDL Workflow Advisor, in the **Set Target > Set Target Device and Synthesis Tool** task, set **Target workflow** to **FPGA Turnkey**.
- 2 For **Target platform**, select **Get more boards**.
- 3 Use Support Package Installer to install the HDL Coder Support Package for Altera FPGA Boards.

Compatibility Considerations

Previous versions of HDL Coder had built-in support for Altera FPGA boards in the FPGA Turnkey workflow. The current version of HDL Coder does not have built-in support for Altera FPGA boards. To get support for Altera FPGA boards, install the HDL Coder Support Package for Altera FPGA Boards.

Support package for Xilinx FPGA boards

Program Xilinx FPGA boards with your generated HDL code using the FPGA Turnkey workflow.

To install this support package for MATLAB-to-HDL code generation:

- 1 In the HDL Workflow Advisor, in the **Select Code Generation Target** task, set **Workflow** to **FPGA Turnkey**.
- 2 For **Platform**, select **Get more boards**.
- 3 Use Support Package Installer to install the HDL Coder Support Package for Xilinx FPGA Boards.

To install this support package for Simulink-to-HDL code generation:

- 1 In the HDL Workflow Advisor, in the **Set Target > Set Target Device and Synthesis Tool** task, set **Target workflow** to **FPGA Turnkey**.
- 2 For **Target platform**, select **Get more boards**.
- 3 Use Support Package Installer to install the HDL Coder Support Package for Xilinx FPGA Boards.

Compatibility Considerations

Previous versions of HDL Coder had built-in support for Xilinx FPGA boards in the FPGA Turnkey workflow. The current version of HDL Coder does not have built-in support for Xilinx FPGA boards. To get support for Xilinx FPGA boards, install the HDL Coder Support Package for Xilinx FPGA Boards.

Additional FPGA board support for FIL verification, including Xilinx KC705 and Altera DSP Development Kit, Stratix V edition

Several FPGA boards have been added to the HDL Verifier FPGA board support packages, including Xilinx KC705 and Altera DSP Development Kit, Stratix V edition. You can select these boards for FIL verification using the HDL workflow advisor for Simulink.

R2013a

Version: 3.2

New Features

Bug Fixes

Compatibility Considerations

Model and Architecture Design

Code generation for System objects in a MATLAB Function block

You can now generate code from a MATLAB Function block containing System objects.

For details, see System Objects under MATLAB Language Support, in MATLAB Function Block Usage.

Output folder structure includes model name

When you generate code for a subsystem within a model, the output folder structure now includes the model name.

For example, if you generate code for a subsystem in a model, `Mymodel`, the output folder is `hdlsrc/Mymodel`.

Compatibility Considerations

If you have scripts that depend on a specific output folder structure, you must update them with the new structure.

Prefix for module or entity name

You can now specify a prefix for every module or entity name in the generated HDL code. This feature helps you to avoid name clashes when you want to have multiple instances of the HDL code generated from the same block. For details, see `ModulePrefix`.

Functionality being removed

Property Name	What Happens When You Use This Property?	Use This Property Instead	Compatibility Considerations
RAMStyle	Error	RAMArchitecture	The new property syntax differs. Replace existing instances of RAMStyle with the correct RAMArchitecture syntax.
GainImpls	Error	ConstMultiplierOptimization	The new property syntax differs. Replace existing instances of GainImpls with the correct ConstMultiplierOptimization syntax.

Block Enhancements

Single rate Newton-Raphson architecture for Sqrt, Reciprocal Sqrt

The Sqrt, Reciprocal Sqrt, reciprocal Divide, and reciprocal Math Function blocks now have a single-rate pipelined architecture. The new architecture enables you to use the high-speed Newton-Raphson algorithm without multirate or overclocking.

The following table lists each block with its new block implementation.

Block	Implementation Name	Details
Sqrt	SqrtNewtonSingleRate	See Sqrt.
Reciprocal Sqrt	RecipSqrtNewtonSingleRate	See Reciprocal Sqrt.
Divide (reciprocal)	RecipNewtonSingleRate	See Divide (reciprocal).
Math Function (reciprocal)	RecipNewtonSingleRate	See Math Function (reciprocal).

Additional System objects supported for code generation

Effective with this release, the following System objects provide HDL code generation:

- `comm.HDLCRCGenerator`
- `comm.HDLCRCDetector`
- `comm.HDLRSEncoder`
- `comm.HDLRSDecoder`
- `dsp.HDLNCO`

Additional blocks supported for code generation

The following blocks are now supported for HDL code generation:

- NCO HDL Optimized
- Bias

- Relay
- Dot Product
- Sum with more than two inputs with different signs
- MinMax with multiple input data types

Code Generation and Verification

Static range analysis for floating-point to fixed-point conversion

The coder can now use static range analysis to derive fixed-point data types for your floating-point MATLAB code.

The redesigned interface for floating-point to fixed-point conversion enables you to use simulation with multiple test benches, static range analysis, or both, to determine fixed-point data types for your MATLAB variables.

For details, see Automated Fixed-Point Conversion.

Cosimulation and FPGA-in-the-Loop for MATLAB HDL code generation

With the MATLAB HDL Workflow Advisor, the HDL Verification step includes automation for the following workflows:

- **Verify with HDL Test Bench:** Create a standalone test bench. You can choose to simulate a model using ModelSim or Incisive® with a vector file created by the Workflow Advisor.
- **Verify with Cosimulation:** Cosimulate the DUT in ModelSim or Incisive with the test bench in MATLAB.
- **Verify with FPGA-in-the-Loop:** Create the FPGA programming file and test bench, and, optionally, download it to your selected development board.

You must have an HDL Verifier license to use these workflows.

HDL coding standard report and lint tool script generation

You can now generate a report that shows how well your generated HDL code conforms to an industry coding standard. Errors and warnings in the report link to elements in your original design so you can fix problems.

You can also generate third-party lint tool scripts to use to check your generated HDL code. In this release, you can generate Leda, SpyGlass, and generic scripts.

To learn more about the coding standard report, see HDL Coding Standard Report.

To learn how to generate a coding standard report and lint tool script in the Simulink to HDL workflow, see:

- Generate an HDL Coding Standard Report
- Generate an HDL Lint Tool Script

To learn how to generate a coding standard report and lint tool script in the MATLAB to HDL workflow, see:

- Generate an HDL Coding Standard Report
- Generate an HDL Lint Tool Script

File I/O to read test bench data in Verilog

You can now specify the generated HDL test bench to use file I/O to read input stimulus and output response data during simulation, instead of including data constants in the test bench code. Doing so improves scalability for designs needing long simulations.

This feature is available when Verilog is the target language.

For details, see Test Bench Generation with File I/O.

Speed and Area Optimizations

User-specified pipeline insertion for MATLAB variables

You can now specify pipeline register insertion for variables in your MATLAB code. This feature is available in both the MATLAB to HDL workflow and the MATLAB Function block.

To learn how to pipeline variables in the MATLAB to HDL workflow, see [Pipeline MATLAB Variables](#).

To learn how to pipeline variables in the MATLAB Function block, see [Pipeline Variables in the MATLAB Function Block](#).

Resource sharing and streaming without over clocking

You can now constrain the resource sharing and streaming optimizations to prevent or reduce overclocking. The coder optimizes your design based on two parameters that you specify: maximum oversampling ratio, `MaxOversampling`, and maximum computation latency, `MaxComputationLatency`.

For single-rate resource sharing or streaming, you can set `MaxOversampling` to 1.

To learn more about constrained overclocking, maximum oversampling ratio, and maximum computation latency, see:

- [Optimization With Constrained Overclocking](#)
- [Maximum Oversampling Ratio](#)
- [Maximum Computation Latency](#)

Resource sharing for the MATLAB Function block

You can now specify a resource sharing factor for the MATLAB Function block to share multipliers in the MATLAB code.

For details, see [Resource Sharing and Specify Resource Sharing](#).

Finer control for delay balancing

You can now disable delay balancing for a subsystem within your DUT subsystem.

For details, see Balance Delays.

Complex multiplication optimizations in the Product block

You can now share multipliers used in a single complex multiplication in the Product block. Distributed pipelining can also move registers between the multiply and add stages of a complex multiplication.

IP Core Generation and Hardware Deployment

Generation of custom IP core with AXI4 interface

You can now generate custom IP cores with an AXI4-Lite or AXI4-Stream Video interface. You can integrate these custom IP cores with your design in a Xilinx EDK environment for the Xilinx Zynq-7000 Platform.

For more details, see Custom IP Core Generation.

To view an example that shows how to generate a custom IP core, at the command line, enter:

```
hdlcoder_ip_core_led_blinking
```

Coprocessor synchronization in FPGA Turnkey and IP Core Generation workflows

The coder can now automatically synchronize communication and data transfers between your processor and FPGA. You can use the new **Processor/FPGA synchronization mode** in the FPGA Turnkey workflow with xPC Target, or when you generate a custom IP core.

For more details, see Processor and FPGA Synchronization.

Speedgoat IO331 Spartan-6 FPGA board for FPGA Turnkey workflow

You can now use the Speedgoat IO331 Spartan-6 FPGA board in the FPGA Turnkey workflow with xPC Target.

You must have an xPC Target license to use this feature.

R2012b

Version: 3.1

New Features

Input parameter constants and structures in floating-point to fixed-point conversion

Floating-point to fixed-point conversion now supports structures and constant value inputs.

RAM, biquad filter, and demodulator System objects

HDL RAM System object

With release 2012b, you can use the `hdlram` System object for modeling and generating fixed-point code for RAMs in FPGAs and ASICs. The `hdlram` System object provides simulation capability in MATLAB for Dual Port, Simple Dual Port, and Single Port RAM. The System object also generates RTL code that can be inferred as a RAM by most synthesis tools.

To learn how to model and generate RAMs using the `hdlram` System object, see [Model and Generate RAM with `hdlram`](#).

HDL System object support for biquad filters

HDL support has been added for the following System object:

- `dsp.BiquadFilter`

HDL support with demodulator System objects

HDL support has been added for the following System objects:

- `comm.BPSKDemodulator`
- `comm.QPSKDemodulator`
- `comm.PSKDemodulator`
- `comm.RectangularQAMDemodulator`
- `comm.RectangularQAMModulator`

Generation of MATLAB Function block in the MATLAB to HDL workflow

You can now generate a MATLAB Function block during the MATLAB to HDL workflow. You can use the generated block for further design, simulation, and code generation in Simulink.

For details, see MATLAB Function Block Generation.

HDL code generation for Reed Solomon encoder and decoder, CRC detector, and multichannel Discrete FIR filter

HDL code generation

In R2012b, HDL code generation support has been added for the following blocks:

- General CRC Syndrome Detector HDL Optimized

For an example of using the HDL-optimized CRC generator and detector blocks, see Using HDL Optimized CRC Library Blocks.

- Integer-Input RS Encoder HDL Optimized
- Integer-Output RS Decoder HDL Optimized

Multichannel Discrete FIR filters

The Discrete FIR Filter block accepts vector input and supports multichannel implementation for better resource utilization.

- With vector input and channel sharing option `on`, the block supports multichannel fully parallel FIR, including direct form FIR, sym/antisym FIR, and FIRT. Support for all implementation parameters, for example: multiplier pipeline, add pipeline registers.
- With vector input and channel sharing option `off`, the block instantiates one filter implementation for each channel. If the input vector size is N , N identical filters are instantiated.

Applies to the fully parallel architecture option for FIR filters only.

Targeting of custom FPGA boards

The FPGA Board Manager and New FPGA Board Wizard allow you to add custom board information so that you can use FIL simulation with an FPGA board that is not one of the pre-registered boards. See [FPGA Board Customization](#).

Optimizations for MATLAB Function blocks and black boxes

The resource sharing optimization now operates on MATLAB Function blocks. For details, see [Specify Resource Sharing](#).

The delay balancing and distributed pipelining optimizations now operate on black box subsystems. To learn how to specify latency and enable distributed pipelining for a black box subsystem, see [Customize the Generated Interface](#).

Generate Xilinx System Generator Black Box block from MATLAB

You can now generate a Xilinx System Generator Black Box block during the MATLAB-to-HDL workflow. You can use the generated block for further design, simulation, and code generation in Simulink.

For details, see [Xilinx System Generator Black Box Block Generation](#).

Save and restore HDL-related model parameters

Two new functions, `hdlsaveparams` and `hdlrestoreparams`, enable you to save and restore nondefault HDL-related model parameters. Using these functions, you can perform multiple iterations on your design to optimize the generated code.

For details, see [hdlsaveparams](#) and [hdlrestoreparams](#).

Command-line interface for MATLAB-to-HDL code generation

You can now convert your MATLAB code from floating-point to fixed-point and generate HDL code using the command-line interface.

To learn how to use the command line interface, open the tutorial:


```
showdemo mlhdlc_tutorial_cli
```

User-specifiable clock enable toggle rate in test bench

You can now specify the clock enable toggle rate in your test bench to match your input data rate or improve test coverage.

To learn how to specify your test bench clock enable toggle rate, see Test Bench Clock Enable Toggle Rate Specification.

RAM mapping for dsp.Delay System object

The `dsp.Delay` System object now maps to RAM if the RAM mapping optimization is enabled and the delay size meets the RAM mapping threshold.

To learn how to map the `dsp.Delay` System object to RAM, see Map Persistent Arrays and `dsp.Delay` to RAM.

Code generation for Repeat block with multiple clocks

You can now generate code for the DSP System Toolbox Repeat block in a model with multiple clocks.

Automatic verification with cosimulation using HDL Coder

With the HDL Coder HDL Workflow Advisor, you can automatically verify using your Simulink test bench with the new verification step **Run Cosimulation Test Bench**. During verification, the HDL Workflow Advisor and HDL Verifier verify the generated HDL using cosimulation between the HDL Simulator and the Simulink test bench. See Automatic Verification in the HDL Verifier documentation.

ML605 Board Added To Turnkey Workflow

The Xilinx Virtex-6 FPGA ML605 board has been added for Turnkey Workflow in the HDL Workflow Advisor.

R2012a

Version: 3.0

New Features

Compatibility Considerations

Product Name Change and Extended Capability

HDL Coder replaces Simulink HDL Coder and adds the HDL code generation capability directly from MATLAB.

To generate HDL code from MATLAB, you need the following products:

- HDL Coder
- MATLAB Coder
- Fixed-Point Toolbox™
- MATLAB

To generate HDL code from Simulink, you need the following products:

- HDL Coder
- MATLAB Coder
- Fixed-Point Toolbox
- Simulink Fixed Point™
- Simulink
- MATLAB

Code Generation from MATLAB

You can now generate HDL code directly from MATLAB code.

This workflow provides:

- Verilog or VHDL code generation from MATLAB code.
- Test bench generation from MATLAB scripts.
- Automated conversion from floating point code to fixed point code.
- Automated HDL verification through integration with ModelSim and ISim.
- HDL code generation for a subset of System objects from the Communications Toolbox and DSP System Toolbox.
- A traceability report mapping generated HDL code to your original MATLAB code.

The MATLAB to HDL workflow provides the following automated HDL code optimizations:

- Area optimizations: RAM mapping for persistent array variables, loop streaming, resource sharing, and constant multiplier optimization.
- Speed optimizations: input pipelining, output pipelining, and distributed pipelining.

The coder can also generate a resource utilization report, with RAM usage and the number of adders, multipliers, and muxes in your design.

See also HDL Code Generation from MATLAB.

Code Generation from Any Level of Subsystem Hierarchy

You can now generate HDL code from a subsystem at any level of the subsystem hierarchy. In previous releases, you could generate HDL code from the top-level subsystem only.

This feature also enables you to check any level subsystem for code generation compatibility, and to automatically generate a testbench.

Automated Subsystem Hierarchy Flattening

You can now generate code with a flattened subsystem hierarchy, while preserving hierarchy in nested subsystems.

This option enables you to perform more extensive area and speed optimization on the flattened component. It also enables you to reduce the number of HDL output files.

See also Hierarchy Flattening.

Support for Discrete Transfer Fcn Block

You can now generate HDL code from the Discrete Transfer Fcn block.

For details, see Discrete Transfer Fcn Requirements and Restrictions.

User Option to Constrain Registers on Output Ports

A new property, `ConstrainedOutputPipeline`, enables you to specify the number of registers you wish to have on an output port without introducing additional delay on the input to output path. The coder redistributes existing delays within your design to try to

meet the constraint. This behavior is different from the `OutputPipeline` property, which introduces additional delay on the input to output path.

If the coder is unable to meet the constraint using existing delays, it reports the difference between the number of desired and actual output registers in the timing report.

Distributed Pipelining for Sum of Elements, Product of Elements, and MinMax Blocks

The Sum of Elements, Product of Elements, and MinMax blocks can now participate in distributed pipelining if their architecture is set to `Tree`.

MATLAB Function Block Enhancements

Multiple Accesses to RAMs Mapped from Persistent Variables

You can now perform multiple reads and writes to a persistent variable, and the persistent variable will still be mapped to RAM. In previous releases, a RAM mapped from a persistent variable could be accessed only once.

Streaming for MATLAB Loops and Vector Operations

You can now perform streaming on MATLAB loops and loops created from vector operations for improved area efficiency.

For details, see [Loop Optimization](#).

Loop Unrolling for MATLAB Loops and Vector Operations

You can now unroll user-written MATLAB loops and loops created from vector operations. This enables the coder to perform area and speed optimizations on the unrolled loops.

For details, see [Loop Optimization](#).

Automated Code Generation from Xilinx System Generator for DSP Blocks

You can now automatically generate HDL code from subsystems containing Xilinx System Generator for DSP blocks.

For details, see Code Generation with Xilinx System Generator Subsystems.

Altera Quartus II 11.0 Support in HDL Workflow Advisor

The HDL Workflow Advisor has now been tested with Altera Quartus II 11.0. In previous releases, the HDL Workflow Advisor was tested with Altera Quartus II 9.1.

Automated Mapping to Xilinx and Altera Floating Point Libraries

The coder can now map Simulink floating point operations to synthesizable floating point Altera Megafunctions and Xilinx LogiCORE IP Floating Point Operator v5.0 blocks. To learn more, see FPGA Target-Specific Floating-Point Library Mapping.

For a list of supported Altera Megafunction blocks, see Supported Altera Floating-Point Library Blocks.

For a list of supported Xilinx LogiCORE IP blocks, see Supported Xilinx Floating-Point Library Blocks.

Vector Data Type for PCI Interface Data Transfers Between xPC Target and FPGA

In the FPGA Turnkey workflow, you can now use vector data types with the **Scalarize Vector Ports** option to automatically generate PCI DMA transfers on the PCI interface between xPC Target and FPGA. You no longer need to manually insert multiplexers, demultiplexers and provide synchronization logic for vector data transfers.

If the **Scalarize Vector Ports** option is disabled when the code generation subsystem has vector ports, the coder displays an error.

New Global Property to Select RAM Architecture

There is a new global property, `RAMArchitecture`, that enables you to generate RAMs either with or without clock enables. This property applies to every RAM in your design, and replaces the block level property, `RAMStyle`. By default, RAMs are generated with clock enables.

To generate RAMs without clock enables, set `RAMArchitecture` to `'WithoutClockEnable'`. To generate RAMs with clock enables, either use the default,

or set `RAMArchitecture` to `'WithClockEnable'`. For more information, see `Implement RAMs With or Without Clock Enable`.

Compatibility Considerations

The coder now ignores the block level property, `RAMStyle`.

If a block's `RAMStyle` property is set, the coder generates a warning.

Turnkey Workflow for Altera Boards

HDL Workflow Advisor now supports Altera FPGA design software and the following Altera development kits and boards:

- Altera Arria II GX FPGA development kit
- Altera Cyclone III FPGA development kit
- Altera Cyclone IV GX FPGA development kit
- Altera DE2-115 development and education board

This workflow has been tested with Altera Quartus II 11.0.

HDL Support For Bus Creator and Bus Selector Blocks

Release R2012a provides HDL code generation for the Bus Creator and Bus Selector blocks. You must use these blocks for your buses if you want HDL support.

HDL Support For HDL CRC Generator Block

Release R2012a provides HDL code generation for the new HDL CRC Generator block.

HDL Support for Programmable Filter Coefficients

When using filter blocks to generate HDL code, you can specify coefficients from input port(s). This feature applies to FIR and BiQuad filter blocks only. Fully Parallel and all serial architectures are supported.

Follow these directions to use programmable filters:

- 1 Select Input port(s) as coefficient source from the filter block mask.
- 2 Connect the coefficient port with a vector signal.
- 3 Specify the implementation architecture and parameters from the HDL Coder property interface.
- 4 Generate HDL code.

Notes

- For fully parallel implementations, the coefficients ports are connected to the dedicated MAC directly.
- For serial implementation, the coefficients ports first go to a mux, and then to the MAC. The mux decides the coefficients that used at current time instant
- For Discrete FIR filters, this feature is not supported under the following conditions:
 - Implementations having coefficients specified by dialog parameters (for example, complex input and coefficients with serial architecture)
 - Filters using DA architecture
 - CoeffMultipliers specified as `csd` or `factored-csd`
- For Biquad filters, this feature is not supported when CoeffMultipliers are specified as `csd` or `factored-csd`.

Synchronous Multiclock Code Generation for CIC Decimators and Interpolators

You can specify multiple clocks in one of the following ways:

- Use the model-level parameter `ClockInputs` with the function `makehdl` and specify the value as 'Multiple'.
- In the Clock settings section of the **Global Settings** pane in the HDL Code Generation Configuration Parameters dialog box, set **Clock inputs** to **Multiple**.

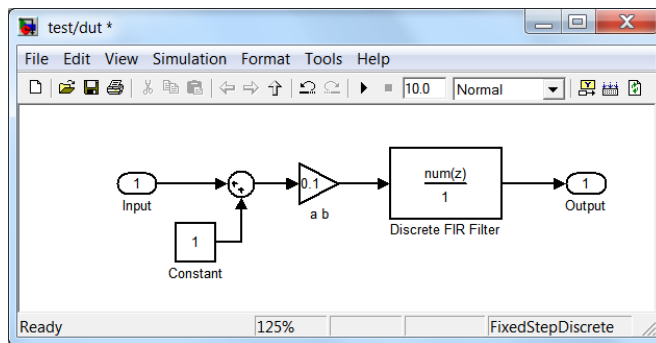
When you use single-clock mode, HDL code generated from multirate models uses a single master clock that corresponds to the base rate of the DUT. When you use multiple-clock mode, HDL code generated from multirate models use one clock input for each rate in the DUT. The number of timing controllers generated in multiple-clock mode depends on the design in the DUT.

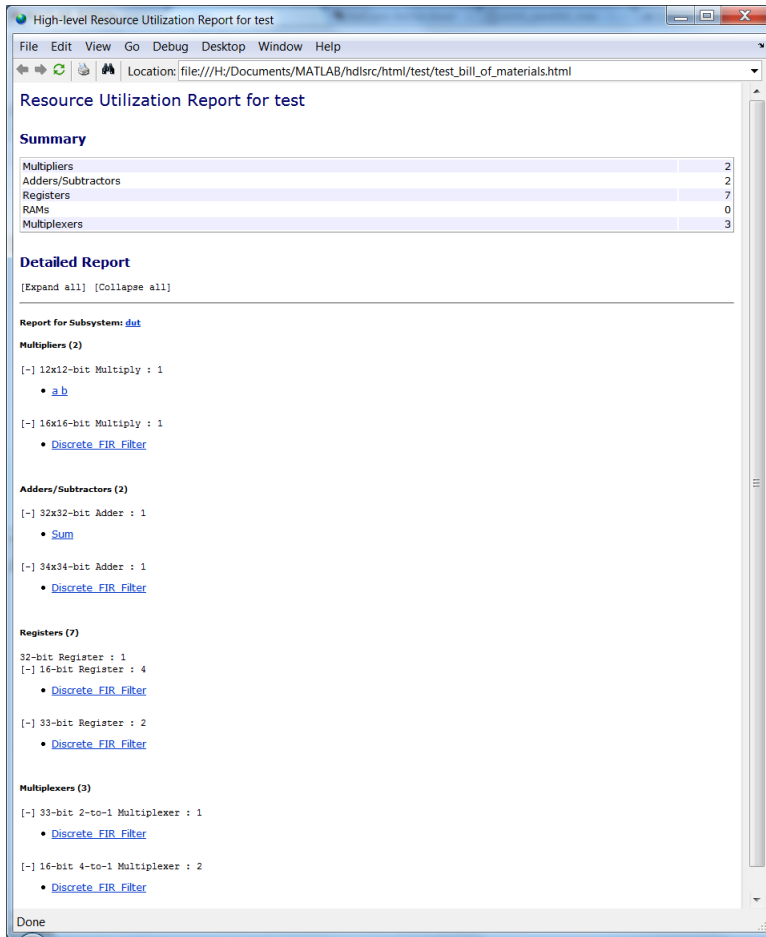
The `ClockInputs` parameter supports the values 'Single' and 'Multiple', where the default is 'Single'. In the default single-clock mode, the coder behavior is unchanged from previous releases.

Filter Block Resource Report Participation

Resource reports include the HDL resource usage for filter blocks. The report includes adders, subtractors, multipliers, multiplexers, registers. This feature covers all filter blocks, and all implementations for the block.

You can turn on the report feature using the command line (`ResourceReport`) or GUI (**Generate resource utilization report**). The following illustrations show a report for a model that includes a Discrete FIR Filter block.





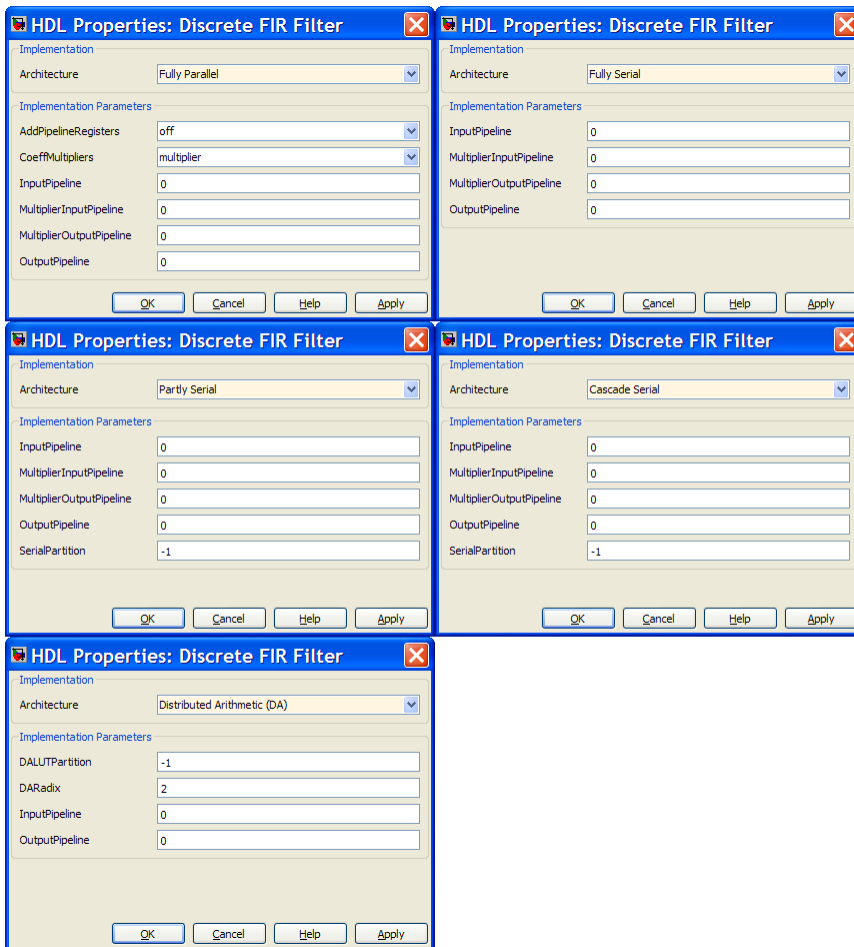
HDL Block Properties Interface Allows Choice of Filter Architecture

You can choose from several filter architectures for FIR Decimation and Discrete FIR Filter blocks. Choices are:

- Fully Parallel
- Distributed Architecture (DA)

- Fully Serial
- Partly Serial
- Cascade Serial

The availability of architectures depends on the transfer function type and filter structure of filter blocks. For Partly Serial and DA, specify at least **SerialPartition** and **DALUTPartition**, respectively, so that these architectures are inferred. For example, if you select Distributed Arithmetic (DA), make sure to also set **DALUTPartition**.



HDL Support for FIR Filters With Serial Architectures and Complex Inputs

HDL support for serial implementations of a FIR block with complex inputs.

HDL Support for External Reset Added for Proportional-Integral-Derivative (PID) and Discrete Time Integrator (DTI) Blocks

External reset support added for level mode.

